

4

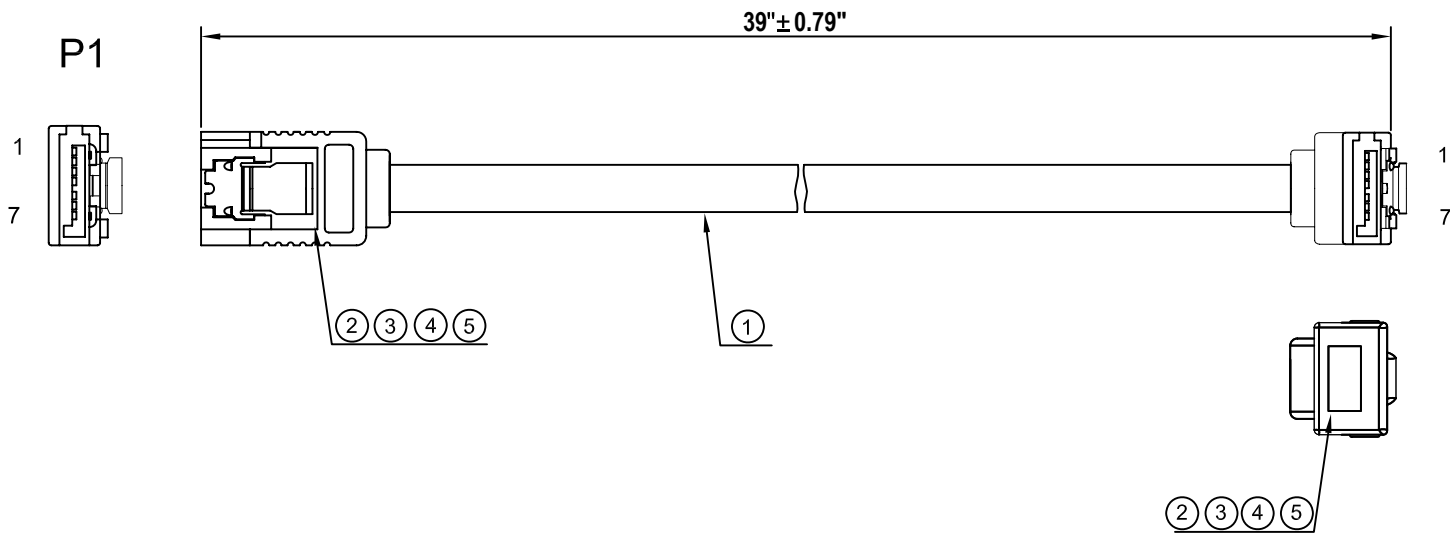
3

2

1

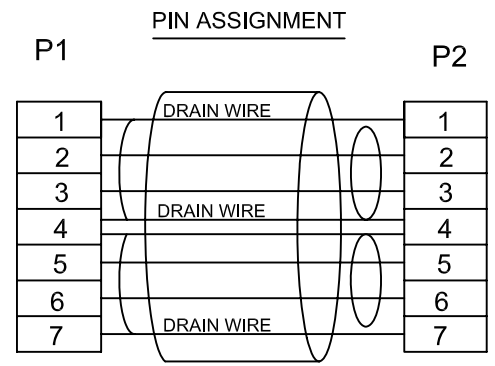
PART NO. SATA-39IN-LSZH

REVISIONS				
LTR	ECR NO.	DESCRIPTION	DATE	APPROVED
A		Initial Release for Manufacture	Jul.16.10	Jemy
B	10186	Change cable	Aug.04.10	Jemy
C	10205	Change packing	Aug.27.10	Jemy
D	10228	Change cable	Oct.11.10	Jemy



ELECTRICAL TEST :

- 1. OPEN/SHORT:100%.
- 2. INSULATION RESISTANCE: 20 Mohm(MIN).
- 3. CONTACT RESISTANCE: 1 ohm (MAX).
- 4. HI-POT:DC 300V/10ms .



*		CARTON 46*30*20cm	1/500	PCS
*		ANGLE CHIPBOARD:190*47 mm	4/500	PCS
*		PE BAG 34**28**0.08mm	1/500	PCS
*		PE BAG 8**12**0.06mm	1/50	PCS
*		PE BAG 3**8**0.06mm	1	PCS
5		PE	4	G
4		PP BLACK	5	G
3		LATCH	2	PCS
2		SATA 7P BASE PIN:G/F PBT BK	2	PCS
1		(30#2F+AL+2D)*2C 1.85*5.8 UL20554 BLACK halogen free VW-1	602	mm
NO.	PART NO.	DESCRIPTION	Q'TY	UNIT

TMC	APPROVALS	DATE
	DRAWN	
	CHECKED	
	CHECKED	



SATA 7P 180° TO SATA 7P 90° CABLE ASS'Y

SIZE	SCALE :	PART NO.	REV.
C	XX : XX	SATA-39IN-LSZH	D
ID NO.			SHEET 1 OF 1

D

D

C

C

B

B

A

A

4

3

2

1

SPECIFICATION:		(2C*30AWG +AL +2D)*2C		CONSTRUCTION D.W.G	
ITEM		SPECIFICATION			
CONDUCTOR	AWG	30AWG			
	MATERIAL	TINNED COPPER			
	COND.SIZE	1/0.254±0.01 mm			
INSULATOIN	MIN.AVG.THICK	0.25 mm			
	MATERIAL	HD-PE			
	O . D	0.82±0.05mm			
DRAIN	AWG	30AWG			
	MATERIAL	TINNED COPPER			
	SIZE	1/0.254 ± 0.01 mm×2PCS			
Face Outside AL.MYLAR	COVERAGE	100%			
	OVERLAP	25%MIN			
	N O.	(2C*30AWG +AL +2D)*2			
JACKET	MIN.AVG.THICK	0.38 mm			
	MATERIAL	PU			
	COLOUR	BLACK			
	OD	1.85 *5.80 ± 0.20 mm			
				COLOUR CODE:	
				NATURAL	
				MARKING	
				AWM 20554 80°C 30V VW-1	
				REMARK	
ELECTRICAL CHARACTERISTICS		PHYSICAL PROPERTIES OF JACKET			
1. Rating : TEMP 80 °C ; VOLTAGE 30V 2. Conductor Resistance: AT 20°C MAX 30AWG: 376.96Ω/km 3. Impedance: Differential 100 ± 10Ω Common mode 25~40 Ω 4. Cable pair Match Impedance: < 5 Ω 5. Intra pair Skew : <10ps/M 6. Risetime: < 85ps 7. Attenuation : < 6dB/M @10~4500MHz 8.Delay : < 5.05ns/M		1.Tensile Strength: Unaged: 1500PSI min Aged: 65% min 2. Elongation: Unaged: 100% min Aged: 70% 3. Heat shock test: NO CRACKING 4. Cold bend test: NO CRACKING 5. Deformation test: MAX 50% 6. Flame test: PASS VW-1			
				PART NO. SATA-24IN-LSZH	
APPROVED				CUSTOMER	
CHECKED				REV A	
DRAWING		<i>maoyong</i>		DATE 2010/07/05	