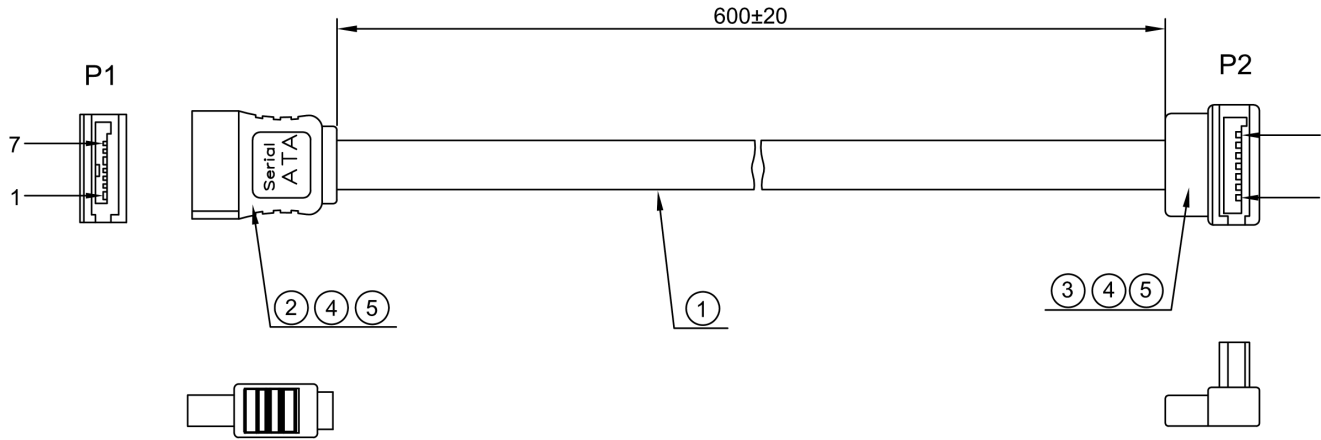


# CUSTOMER DRAWING

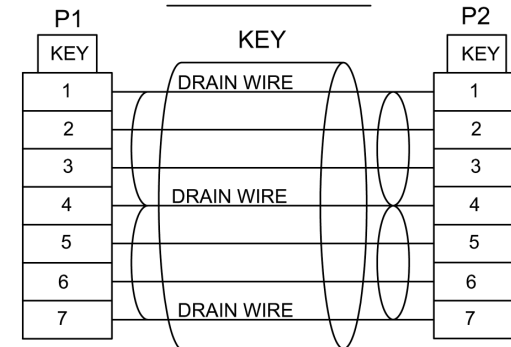
REVISIONS			
LTR	DESCRIPTION	DATE	APPROVED
A	Initial Release for Manufacture	SEP.27.07	Jemy



## ELECTRICAL TEST :

1. OPEN/SHORT:100%.
2. INSULATION RESISTANCE: 5 Mohm(MIN).
3. CONTACT RESISTANCE: 1 ohm (MAX).
4. HI-POT:DC 300V/10ms .

## PIN ASSIGNMENT



*	4-18-0004-463020	CARTON:46*30*20cm	1/400	PCS
*	4-14-0022-342851	PE BAG:34**28**0.08 mm	1/400	PCS
*	4-14-0003-081251	PE BAG:8**12**0.06 mm	1/40	PCS
*	4-14-0002-030851	PE BAG 3**8**0.06mm	1	PCS
*	4-16-0005-100010	TIE / WHITE	100	mm
5	3-02-0001-532151	PE 5321	3	G
4	3-01-0001-005001	PVC 50P BLACK	4.5	G
3	2-61-A001-001501	SATA7P/F 90° REVERSE CONTACT GOLD PLATED=15U",HOUSING:PBT BLACK	1	PCS
2	2-61-A003-001501	SATA7P/F 180° CONTACT GOLD PLATED=15U",HOUSING:PBT BLACK	1	PCS
1	1-61-0003-200203	(2C*26AWG+AL+2D)*2C RED OD:2.3*8.3mm UL21149	630	mm
NO.	PART NO.	DESCRIPTION	Q'TY	UNIT

DIMENSION ARE MILLIMETERS TOLERANCES ARE:		APPROVALS	DATE	DataStorageCables.com
DECIMALS X ± 0.30 XXX ± 0.20	ANGLES ± 3°	DRAWN		
DIMENSION IN BRACKET [X.XX] ARE INCHES TOLERANCES ARE:		CHECKED		
DECIMALS XX ± XXX ±	ANGLES ±	CHECKED		SATA7P 180° TO SATA7P 90° CABLE ASS'Y 600mm
SIZE C	SCALE : xx : xx	DRAWING NO. SATA-24IN-RL		REV. A
ID NO.				SHEET 1 OF 1

DO NOT SCALE DRAWING