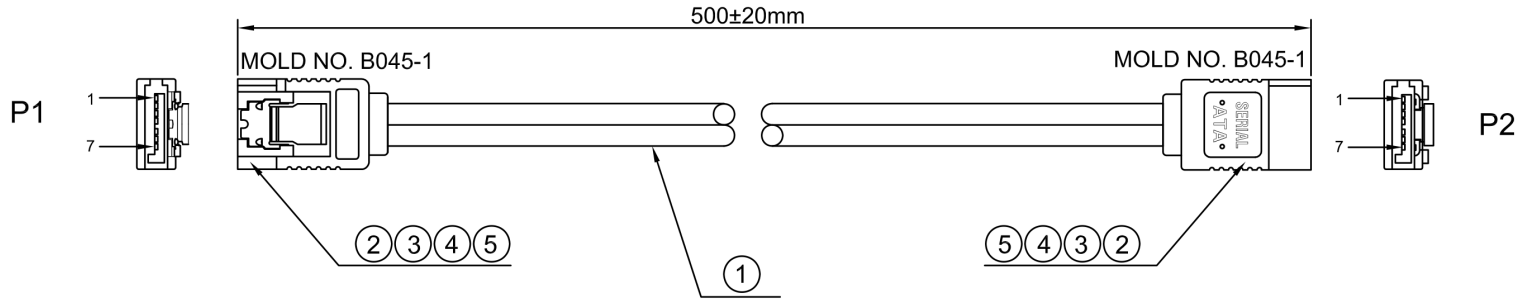
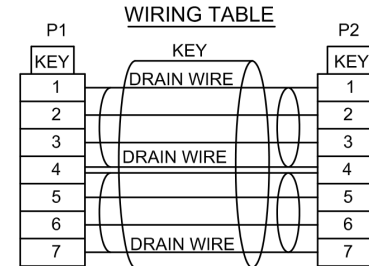


REVISIONS			
LTR	DESCRIPTION	DATE	APPROVED
A0	Initial Release for Manufacture	Oct.29.09	



TEST:  
 1.100% OPEN & SHORT TEST  
 2.CONDUCTANCE RESISTANCE: 1 Ω(MAX)  
 3.INSULATION RESISTANCE: 20 MΩ(MIN)  
 4.HI-POT TEST:300V AC/0.01S



5	3-02-0001-532151	PE	6	G	<b>TMC</b>	APPROVALS	DATE	<b>DATA STORAGE CABLES</b>	
4	3-01-0001-005001	PVC 50P BLACK	8	G		DRAWN	Oct.29.09		
3	2-61-A042-011501	SATA 7P/F LATCH	2	PCS		CHECKED	Oct.29.09		<b>SATA7P/LATCH TO SATA 7P /NO.LATCH ASSY 0.5m</b>
2	2-61-A041-011501	SATA 7P/F 180° HOUSING: PBT BLACK	2	PCS		CHECKED	Oct.29.09		SIZE <b>C</b>
1	1-61-0006-200251	2C*30#+AL+2D)*2C 1.85*5.8 PANTON 200C UL2863 RED	480	mm		CHECKED	Oct.29.09		SCALE : XX : XX
NO.	PART NO.	DESCRIPTION	Q'TY	UNIT	DO NOT SCALE DRAWING		DRAWING NO. <b>SATA-.5M-07</b>	REV. <b>A0</b>	
							ID NO.	SHEET 1 OF 1	