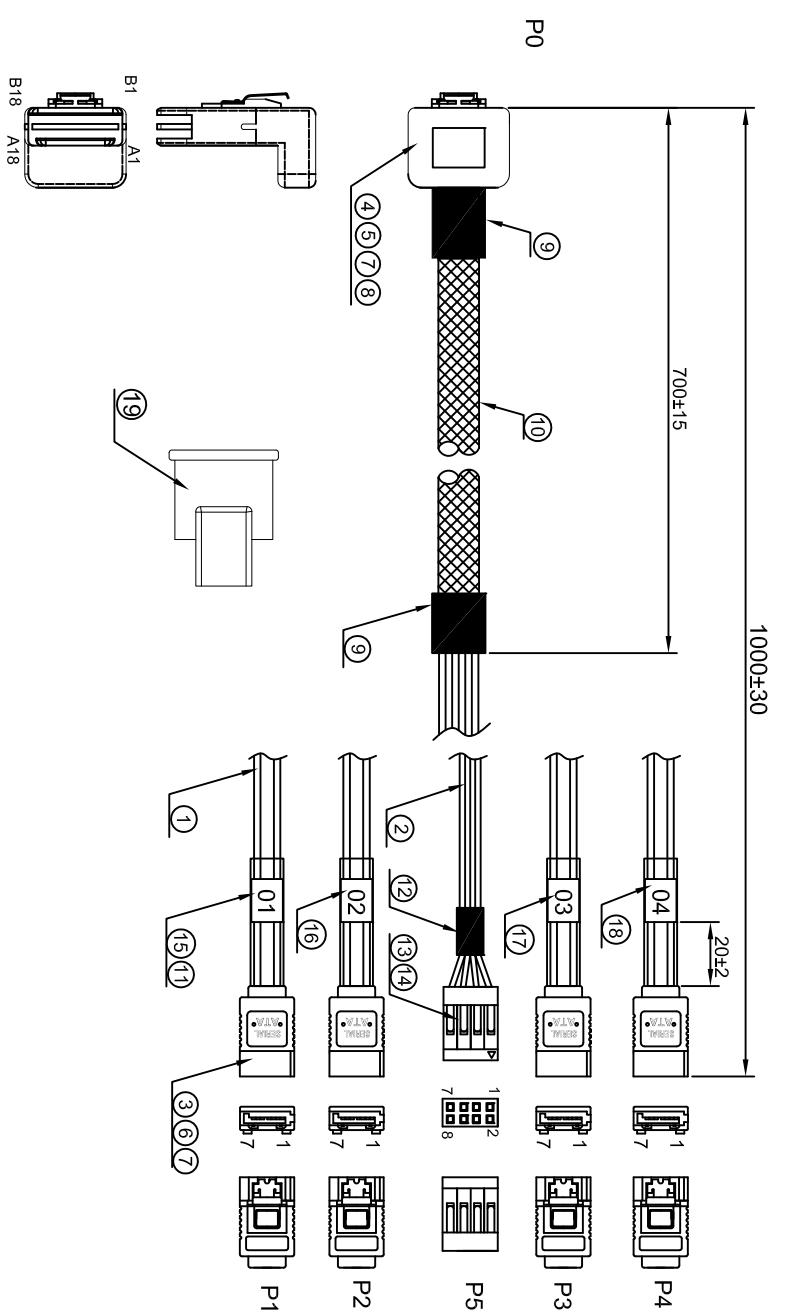
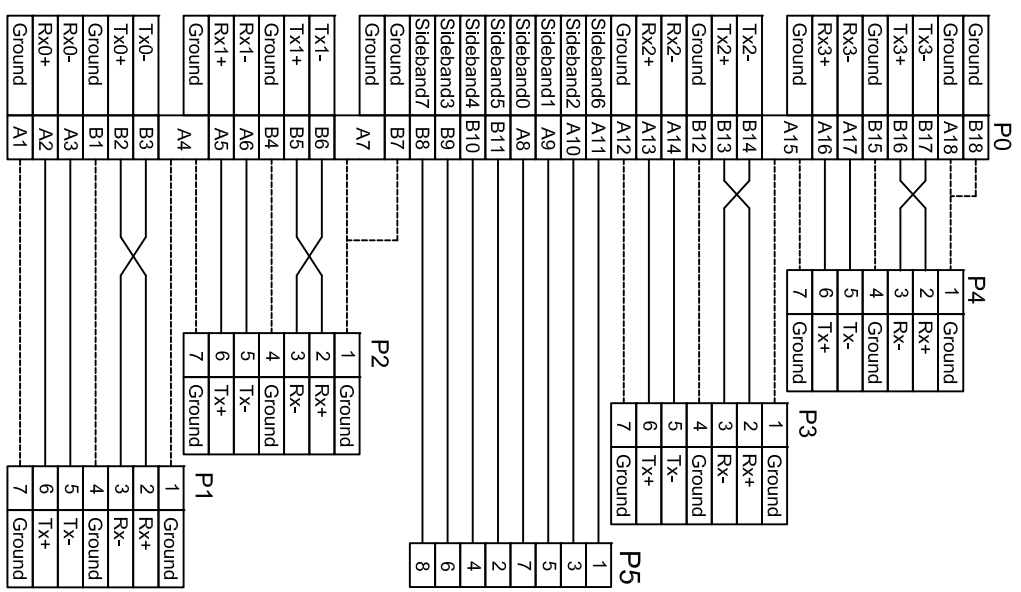


REV. NO.	DESCRIPTION	DATE	APPROVED
A0	Initial Release for Manufacture	Aug.17.10	Jerry



**PIN ASSIGNMENT**



19	4-11-0012-000001	MINI SAS 36P DUSTPROOF COVER	1	PCS
18	4-20-0052-100504	LABEL: "04" TRANSLUCENT BOTTOM BK WORD	1	PCS
17	4-20-0051-100503	LABEL: "03" TRANSLUCENT BOTTOM BK WORD	1	PCS
16	4-20-0050-100502	LABEL: "02" TRANSLUCENT BOTTOM BK WORD	1	PCS
15	4-20-0036-100501	LABEL: "01" TRANSLUCENT BOTTOM BK WORD	1	PCS
14	4-19-A011-254051	PITCH 2.54mm(2563) TERMINAL GOLD PLATED OVER NIKEL	8	PCS
13	4-19-B061-240801	PITCH 2.54mm 2*4P HOUSING BK	1	PCS
12	4-15-0005-200201	TUBE OD:3.0mm BK	25	mm
11	4-15-0050-100201	TUBE OD:4.0MM TRANSPARENT	30*4	mm
10	4-15-0026-01201	NYLON BRAID W:12.0mm BK	310	mm
9	4-20-0062-002001	ACETATE TAPE BLACK W=20mm	50*2	mm
8	3-03-0002-005001	PP	3.5	G
7	3-02-0001-532151	PE5321	8.0	G
6	3-01-0001-005001	PVC 50P BK	8.8	G
5	2-61-A042-011501	LATCH	1	PCS
4	2-70-0001-011501	MINI SAS 36P PCB	1	PCS
3	2-61-A004-011501	SATA 7P/IE 180° LATCH CONTACT GOLD PLATED=15U", HOUSING PBT BK	4	PCS
2	1-58-0022-200209	FLAT CABLE:30#*4C*PH0.8MM NO-UL	990	mm
1	1-61-0013-200251	2C*30#*2D+AL-MYLAR+THERMOLASTIC-MYLAR	990*8	mm
NO.	PART NO.	DESCRIPTION	QTY	UNIT

**MINI SAS 36P 90° TO 4x SATA 7P/180°/LATCH**

APPROVALS: DRAWN: Fangqing Jiang DATE: Aug.17.10  
 CHECKED: Chunhua Yan DATE: Aug.17.10  
 APPROVAL: Huang Shian DATE: Aug.17.10

Dimension Bracket (Rx) are inches tolerance: ±.01  
 Dimension (mm) are: ±.25

DO NOT SCALE DRAWING

DATAStorageCables.com

SCALE: 1:1  
 DRAWING NO.: 13647-1MC-RAS  
 REV: A0

SHEET 1 OF 1