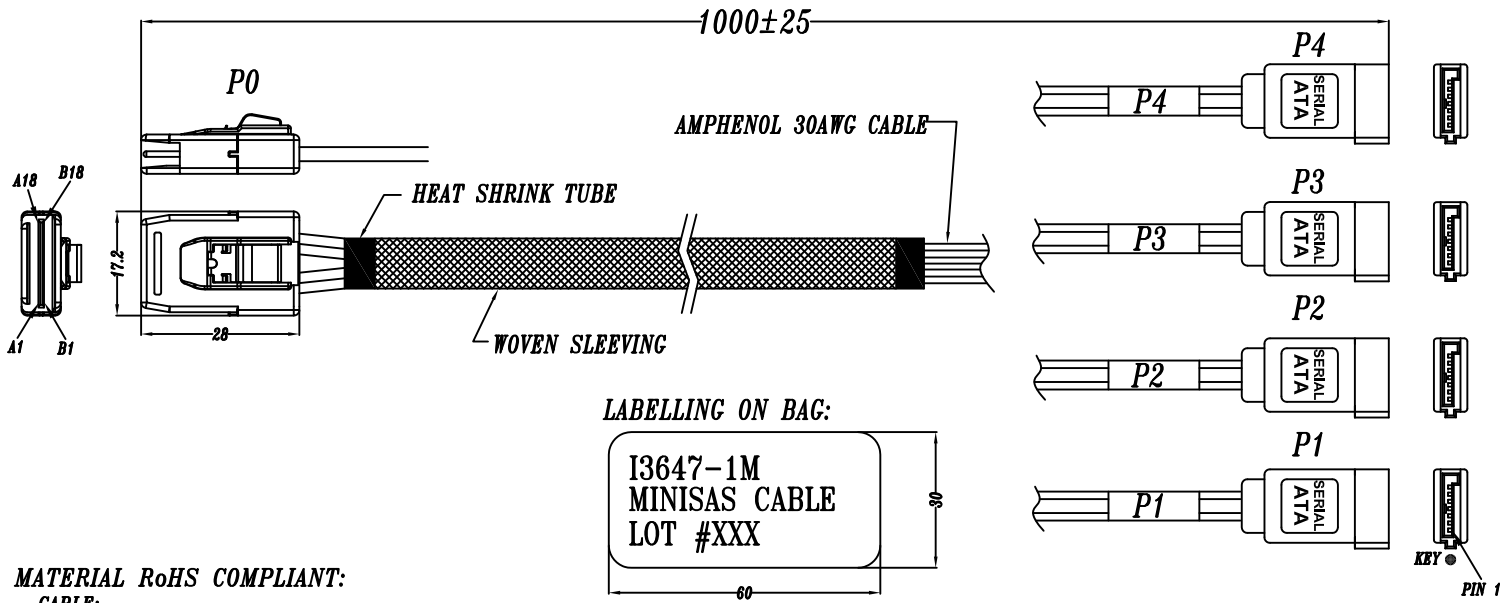


1	2	3	4	5	6	7	8	9
REV.	REMARK	DATE	SIGN.					

RoHS



MATERIAL RoHS COMPLIANT:

CABLE:
ELECTRICAL:
 IMPEDANCE: 100±5 ohm(DIFFERENTIAL TDR)
 CAPACITANCE: 49pF/ M NOMINAL
 PROP DELAY: 4.9pF/ M NOMINAL
 SKEW(WITHIN PAIR): ≤ 10ps/ 1M(TDT METHOD DRAINS GROUNDED, 3M SAMPLE)
 (DIFFERENTIAL 50%-50%, TEK TDS-8000 OR 11801)
 ATTENUATION (NOMINAL): 3.00 dB/ M @4.50GHz
APPROVALS:
 UL AWM VW-1 80°C 30V, RoHS COMPLIANT

CONNECTOR:
 P0: Mini SAS 4i CABLE PLUG - 36CKT CONNECTOR
 1. HOOD: NYLON 30% GLASS FIBRE
 2. LATCH: STAINLESS STEEL
 3. P.C.B.: FR4
 4. INTERNAL, NO SIDEBAND.
 P1~P4: SATA INTERNAL CABLE RECEPTACLE W/O METAL SHELL.

DataStorageCables.com	DESC.	Mini SAS 4i to 4* SATA internal cable rec. cable ass'y	APPROVED	CHECKED	DESIGNED	TOLERANCE	SCALE	1 = 1	UNIT	mm	
	P/N	I3647-1M	CUSTOMER P/N			KU	DATE	12/05/06	DWG NO:	DWG\RC\2183	

1	2	3	4	5	6	7	8	9
---	---	---	---	---	---	---	---	---

1	2	3	4	5	6
REV.	REMARK	DATE	SIGN.		

WIRING DIAGRAM					
Mini SAS 4i(HOST)			SATA internal cable rec.(TARGET)		
plug	PIN	SIGNAL	rec.	PIN	SIGNAL
P0	A2	RX0+	P1	6	TX+
	A3	RX0-		5	TX-
	B3	TX0-		3	RX-
	B2	TX0+		2	RX+
	GND GROUP			1,4,7	GROUND
	A5	RX1+	P2	6	TX+
	A6	RX1-		5	TX-
	B6	TX1-		3	RX-
	B5	TX1+		2	RX+
	GND GROUP			1,4,7	GROUND
	A13	RX2+	P3	6	TX+
	A14	RX2-		5	TX-
	B14	TX2-		3	RX-
	B13	TX2+		2	RX+
	GND GROUP			1,4,7	GROUND
	A16	RX3+	P4	6	TX+
	A17	RX3-		5	TX-
	B17	TX3-		3	RX-
	B16	TX3+		2	RX+
	GND GROUP			1,4,7	GROUND

GND GROUP:
A1,A4,A7,A12,A15,A18
B1,B4,B7,B12,B15,B18

A	DESC. Mini SAS 4i to 4* SATA internal cable rec. cable ass'y					
	P/N I3647-1M		CUSTOMER P/N			
	APPROVED		CHECKED	DESIGNED KU	TOLERANCE	SCALE 1 = 1
	UNIT mm		DATE 12/05/06	DWG NO: DWG\RC\2183		