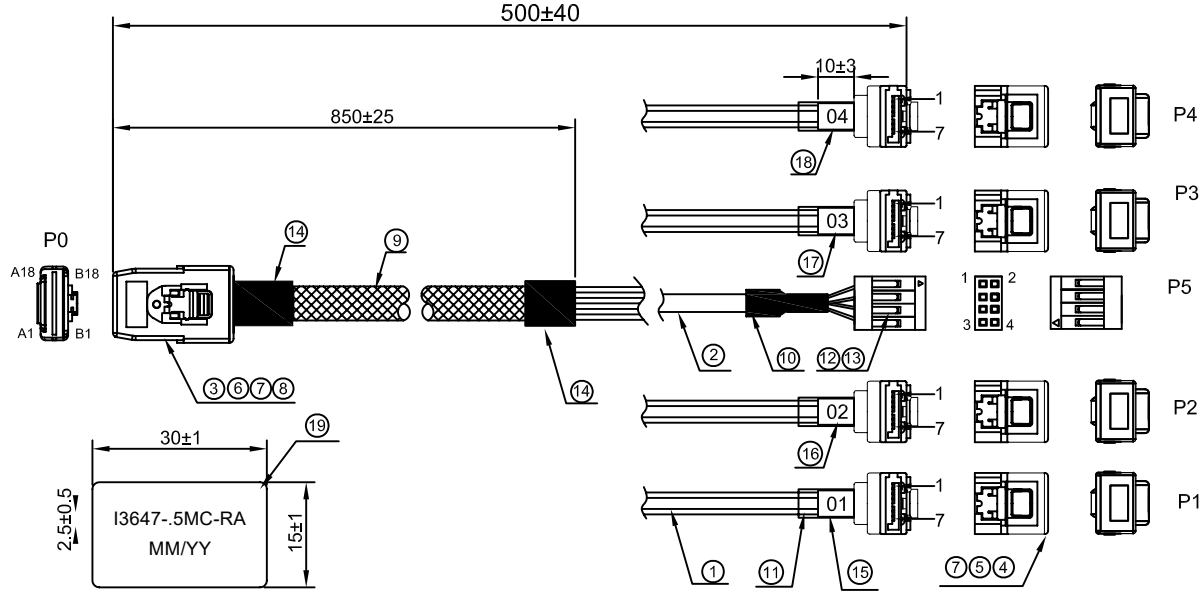
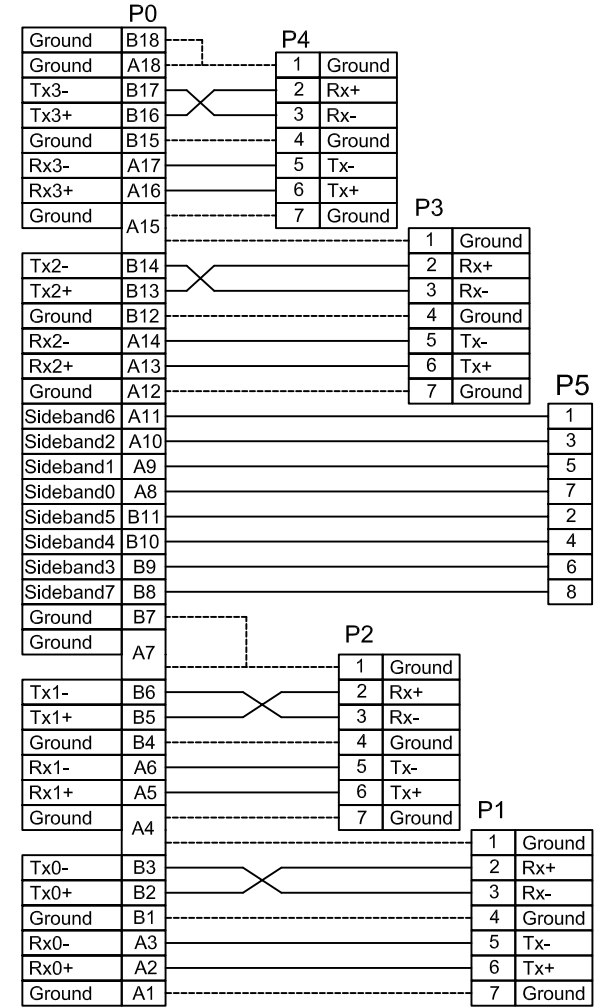


# CUSTOMER DRAWING

REVISIONS			
LTR	DESCRIPTION	DATE	APPROVED
A0	Initial Release for Manufacture	Aug.27.08	Jemy



## PIN ASSIGNMENT



*	4-14-0001-060851	PE BAG:6**8**0.06mm	1	PCS
*	4-14-0019-708051	AIR BAG 70*80mm	1	PCS
*	4-20-0020-000001	RUBBER BAND	1	PCS
*	4-16-0003-100001	TIE BK	80	mm
19	4-22-0173-301551	LABEL:I3647-.5MC-RA FOR PE BAG	1	PCS
18	4-20-0052-100504	"04"W=7mm L=30mm TRANSLUCENT BOTTOM BK WORD	1	PCS
17	4-20-0051-100503	"03"W=7mm L=30mm TRANSLUCENT BOTTOM BK WORD	1	PCS
16	4-20-0050-100502	"02"W=7mm L=30mm TRANSLUCENT BOTTOM BK WORD	1	PCS
15	4-20-0036-100501	"01"W=7mm L=30mm TRANSLUCENT BOTTOM BK WORD	1	PCS
14	4-15-0041-100218	Adhesive Heat Shrink Tube OD:18.0mm RD	15*2	mm
13	4-19-A011-254051	PITCH 2.54mm(2563) TERMINAL GOLD PLATED OVER NIKEL	8	PCS
12	4-19-B061-240801	PITCH 2.54mm 2*4P HOUSING BK	1	PCS
11	4-15-0039-100201	TUBE OD:5.0MM TRANSPARENT	15*4	mm
10	4-15-0005-200201	TUBE OD:3.0mm BK	20	mm
9	4-15-0026-001201	NYLON BRAID W:12.0mm	830	mm
8	4-12-0015-003651	LATCH MATERIAL: SUS #301	1	PCS
7	3-02-0001-532151	PE	8.0	G
6	3-03-0002-005001	PP BK	2	G
5	3-01-0001-005001	PVC 50P BK	8.8	G
4	2-61-A004-011501	SATA 7P/LATCH G PIN 15U 180° PBT BK	4	PCS
3	2-70-0001-011501	MINI SAS 36P PCB	1	PCS
2	1-66-0008-200201	30#*8C OD:3.0mm BLACK	985	mm
1	1-61-0013-200251	2C*30#+2D+AL-MYLAR+THERMOLPASTIC-MYLAR	985*8	mm

NO.	PART NO.	DESCRIPTION	Q'TY	UNIT
-----	----------	-------------	------	------

APPROVALS DRAWN: Huang.zhengYin CHECKED: Yan.chunHua APPROVAL: Huang.Shan	DATE Aug.27.08 Aug.27.08 Aug.27.08	DataStorageCables.com <b>MINI SAS 36P TO 4x SATA</b> <b>7P/F 90°+2*4P HOUSING .5M</b>
	SIZE C	SCALE: XX : XX

DIMENSION ARE MILLIMETERS  
 TOLERANCES ARE:  
 DECIMALS ANGLES  
 X ± 0.30 ± 3°  
 XX ± 0.20 ± 3°  
 DO NOT SCALE DRAWING

ID NO. | I3647-.5MC-RA | SHEET 1 OF 1