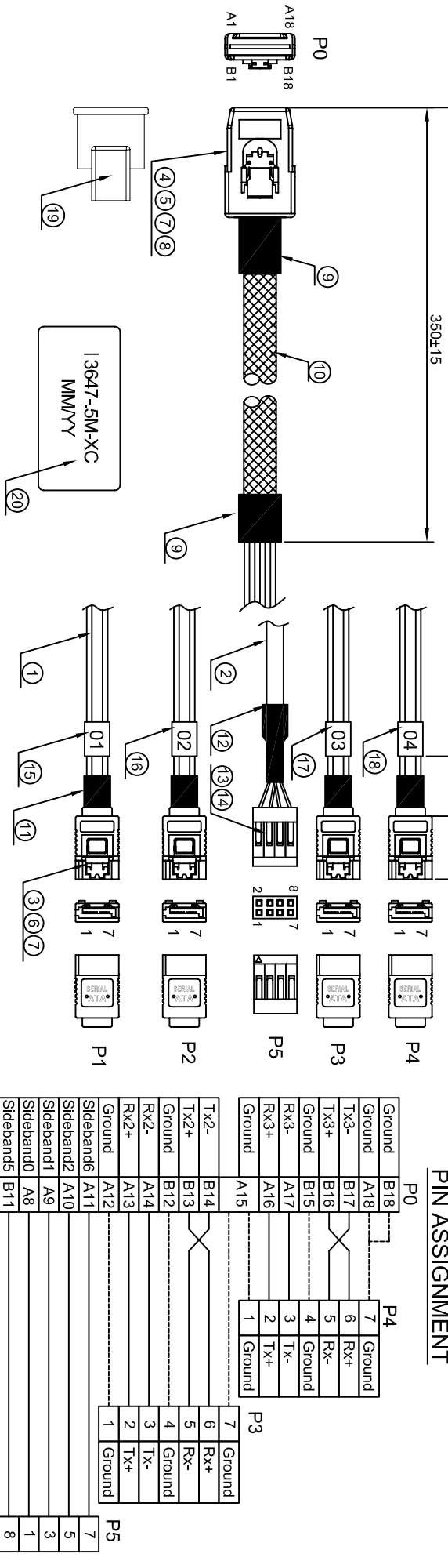


REVISIONS				
LTR	ECR NO.	DESCRIPTION	DATE	APPROVED
A		Initial Release for Manufacture	JUN02/07	Jerry
B	07103	Change pack Qty & po bag	Sep28/07	Jerry
C	98018	Add label & change latch	Mar7/09	Jerry

PIN ASSIGNMENT



NO.	PART NO.	DESCRIPTION	Q'TY	UNIT
*	4-18-0004-463020	CARTON 46*30*20cm	1/100	PCS
*	4-18-0031-190475	ANGLE CHIPBOARD:190*47MM	4/100	PCS
*	4-14-0022-342861	PE BAG 34*28*0.08mm	1/100	PCS
*	4-14-0001-060851	PE BAG 6*9*0.06mm	1	PCS
*	4-16-0003-100001	TIE BK	60*2	mm
20	4-22-0283-281651	LABEL:" 13647-.5M-XC"white bottom BK word	1	PCS
19	4-11-0012-000001	MINI SAS 36P DUSTPROOF COVER	1	PCS
18	4-20-0052-100504	LABEL: "04" TRANSLUCENT BOTTOM BK WORD	1	PCS
17	4-20-0051-100503	LABEL: "03" TRANSLUCENT BOTTOM BK WORD	1	PCS
16	4-20-0050-100502	LABEL: "02" TRANSLUCENT BOTTOM BK WORD	1	PCS
15	4-20-0036-100501	LABEL: "01" TRANSLUCENT BOTTOM BK WORD	1	PCS
14	4-19-A011-254051	PITCH 2.54mm(2563) TERMINAL GOLD PLATED OVER NIKEL	8	PCS
13	4-19-B061-240801	PITCH 2.54mm 2*4P HOUSING BK	1	PCS
12	4-15-0004-200201	TUBE OD:3.0mm BK	25	mm
11	4-15-0004-200201	TUBE OD:3.0mm BK	15*4	mm
10	4-15-0026-001201	NYLON BRAID W:12.0mm BK	310	mm
9	4-20-0062-002001	ACETATE TAPE BLACK W=20mm	50*2	mm
8	3-03-0002-005001	PP 50P BK	3.5	G
7	3-02-0001-532151	PE3321	8.0	G
6	3-01-0001-005001	PVC 50P BK	8.8	G
5	2-61-A042-011501	LATCH	1	PCS
4	2-70-0001-011501	MINI SAS 36P PCB	1	PCS
3	2-61-A004-011501	SATA 7P/6 LATCH CONTACT GOLD PLATED=15U", HOUSING LCP BK	4	PCS
2	1-66-0008-200201	30#*8C OD:3.0mm BLACK	480	mm
1	1-61-0013-200251	2C*30#*2D*AL-MYLAR+THERMOLASTIC-MYLAR	480*8	mm

Pair	Wire	Assignment	Pin
P0	Ground	B18	
	Ground	A18	
	Ground	B17	
P1	Tx0+	B3	
	Tx0-	B2	
	Ground	B1	
P2	Tx1+	B6	
	Tx1-	B5	
	Ground	B4	
P3	Rx3+	B16	
	Rx3-	B15	
	Ground	B14	
P4	Rx4+	B7	
	Rx4-	B6	
	Ground	B5	
P5	Rx5+	B12	
	Rx5-	B11	
	Ground	B10	

INTERNATIONAL METRIC UNITS
TOLERANCES ARE:
DIMENSIONS IN BRACKET [X.XX]
ARE INCHES TOLERANCES ARE:
[X.XX] INCHES

APPROVALS: _____ DATE: _____

DataStorageCables.com

MINI SAS 36P TO 4x SATA
7P/180° LATCH L=0.5M

SIZE SCALE: DRAWING NO. 13647-.5M-XC
C xx : xx REV: C

ID NO. SHEET 1 OF 1