

1	2	3	4	5	6	7	8	9
REV.	REMARK	DATE	SIGN.					

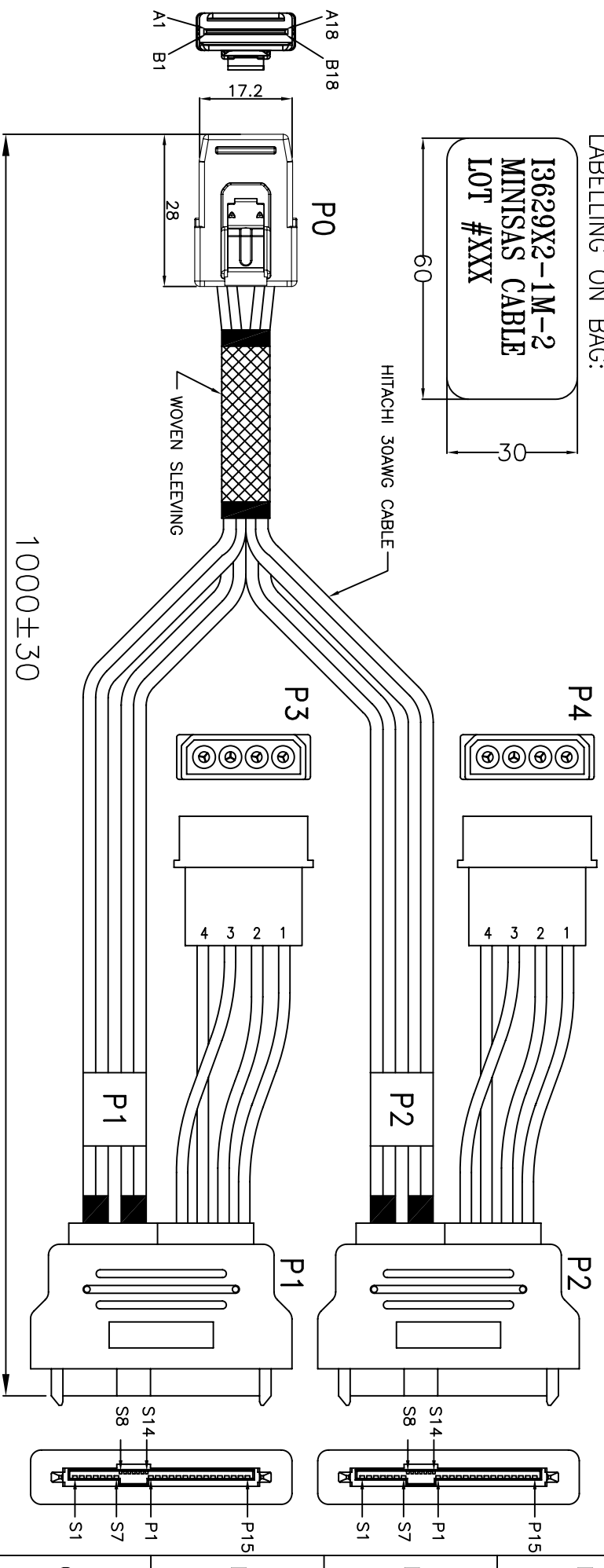
ROHS

LABELLING ON BAG:

**I3629X2-1M-2
MINISAS CABLE
LOT #XXX**

60 30

HITACHI 30AWG CABLE



MATERIAL ROHS COMPLIANT:

1. CABLE:

ELECTRICAL:
 DIFFERENTIAL IMPEDANCE TDR: 100±5 OHMS
 CAPACITANCE: 47 pF/m nom.
 SKEW (within the pair-3m sample): 8 ps/m max
COMPONENT:
 CONDUCTOR: 30 AWG SOLID TINNED COPPER, 010" NOM. OD
 PAIRS: TWO CONDUCTORS WIRES IN PARALLEL WITH TWO DRAINS
APPROVALS:
 UL AWM VW-1 80°C 30V, ROHS COMPLIANT, HITACHI

2. CONNECTOR:

P0: Mini SAS 4i CABLE PLUG(SFF-8087)
 (1) HOOD: NYLON 30% GLASS FIBRE.
 (2) LATCH: STAINLESS STEEL.
 (3) P.C.B.: FR-4, 4 LAYERS, 30U" GOLD PLATING ON CONTACT PADS.
P1,P2: SAS DRIVE CABLE RECEPTACLE(SFF-8482)
P3,P4: 4PIN POWER MALE CONNECTOR
 POWER CABLE: UL 1007 18AWG 80°C 300V

DataStorageCables.com

1	2	3	4	5	6	7	8	9	
DESC.	Mini SAS 4i to 2xSAS Drive Cable Rec. with Power Cable Assy	APPROVED	CHECKED	DESIGNED	TOLERANCE	SCALE	*	UNIT	mm
P/N	I3629X2-1M-2	CUSTOMER P/N		SINO		DATE	11/17/09	DWG NO.	DWG\RC\3448

1	2	3	4	5	6	7	8	9
REV.	REMARK	DATE	SIGN.					

Wiring Diagram			
Mini SAS 4i (P0)	SAS Drive Plug (P1,P2)	4P Power Plug	
Pin	Signal	Pin	Signal
A2	RX0+	S6	TP+
A3	RX0-	S5	TP-
B3	TX0-	S3	RP-
B2	TX0+	S2	RP+
GND GROUP	GND	S1,S4,S7	GND
A5	RX1+	S13	TS+
A6	RX1-	S12	TS-
B6	TX1-	S10	RS-
B5	TX1+	S9	RS+
GND GROUP	GND	S8,S11,S14	GND
		P13,P14,P15	+12V
		P10,P11,P12	GND
		P7,P8,P9	+5V
		P4,P5,P6	GND
A13	RX2+	S6	TP+
A14	RX2-	S5	TP-
B14	TX2-	S3	RP-
B13	TX2+	S2	RP+
GND GROUP	GND	S1,S4,S7	GND
A16	RX3+	S13	TS+
A17	RX3-	S12	TS-
B17	TX3-	S10	RS-
B16	TX3+	S9	RS+
GND GROUP	GND	S8,S11,S14	GND
		P13,P14,P15	+12V
		P10,P11,P12	GND
		P7,P8,P9	+5V
		P4,P5,P6	GND

GND GROUP:
A1,A4,A7,A12,A15,A18
B1,B4,B7,B12,B15,B18

DataStorageCables.com		DSCC. Mini SAS 4i to 2*SAS Drive Cable Rec. with Power Cable Assy		APPROVED	CHECKED	DESIGNED	TOLERANCE	SCALE	*	UNIT	mm	
1	2	3	I3629X2-1M-2	CUSTOMER P/N		SINO		DATE	11/17/09	DWG NO:	DWG\RC\3448	

1	2	3	4	5	6	7	8	9
---	---	---	---	---	---	---	---	---