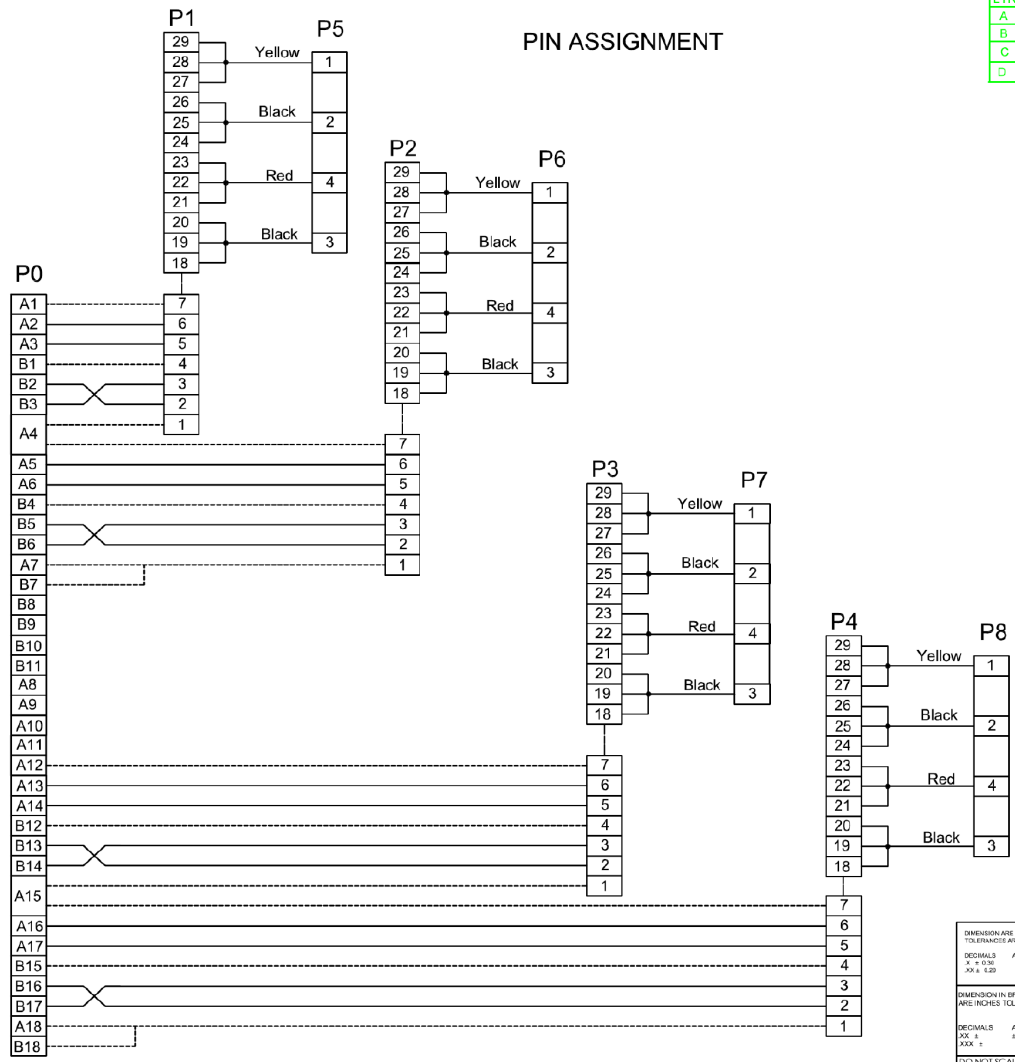


PIN ASSIGNMENT



REVISIONS

LTR	ECR NO.	DESCRIPTION	DATE	APPROVED
A		Initial Release for Manufacture	MAY.28.07	Jemy,Duh
B	07078	Change the PIN ASSIGNMENT	AUG.16.07	Jemy,Duh
C	07124	Change Plug Plastic And Bag	Nov.08.07	Jemy,Duh
D	07139	Change CARTON AND PE BAG	Nov.23.07	Jemy,Duh

<small>DIMENSION ARE MILLIMETERS TOLERANCES ARE: DECIMALS ANGLES X ± 0.25 ± 15' XX ± 0.50</small>		APPROVALS DRAWN: _____ CHECKED: _____ DATE: _____	DataStorageCables.com INT.MINI SAS 36P TO 4x (SAS 29P/F+POWER 4P)	
<small>DIMENSION IN BRACKET (X.XX) ARE INCHES TOLERANCES ARE: DECIMALS ANGLES XX ± .01 ± 15' XXX ± .02</small>		SIZE: C SCALE: XX : XX	DRAWING NO.: I3629-2MC	REV: _____
<small>DO NOT SCALE DRAWING</small>		ID NO.	SHEET 2 OF 2	