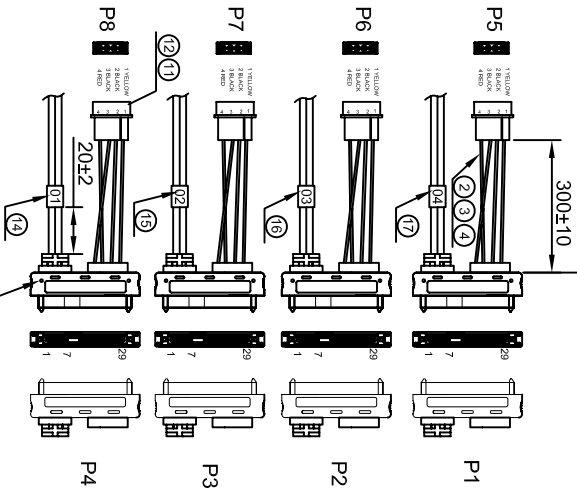
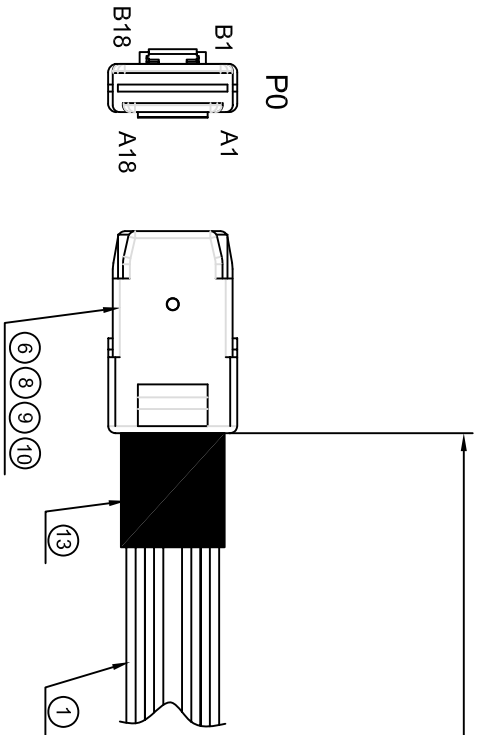


LTR	ECR NO	DESCRIPTION	DATE	APPROVED
A	07078	Initial Release for Manufacture	MAY.28.07	Jerry Duh
B	07124	Change the PIN ASSIGNMENT	AUG.16.07	Jerry Duh
C	07124	Change Plug Plastic And Bag	Nov.08.07	Jerry Duh
D	07139	Change CARTON AND PE BAG	Nov.23.07	Jerry Duh

REVISIONS



*	4-18-0005-463015	CARTON 46*30*15cm	1/50	PCS	
*	4-14-0022-342851	PE BAG 34**28**0.08mm	1/50	PCS	
*	4-14-0001-060851	PE BAG 6**8**0.06mm	1	PCS	
*	4-14-0019-708051	ARI BAG 70*80 mm	1	PCS	
*	4-16-0005-100010	TIE WHITE	100	mm	
*	4-20-0052-100504	LABEL "04" TRANSLUCENT BOTTOM BLACK WORD	1	PCS	
16	4-20-0051-100503	LABEL "03" TRANSLUCENT BOTTOM BLACK WORD	1	PCS	
15	4-20-0050-100502	LABEL "02" TRANSLUCENT BOTTOM BLACK WORD	1	PCS	
14	4-20-0036-100501	LABEL "01" TRANSLUCENT BOTTOM BLACK WORD	1	PCS	
13	4-20-0062-002001	ACETATE TAPE BLACK W=20mm	40	mm	
12	4-19-A006-508501	5085 MALE TERMINAL	16	PCS	
11	4-19-B006-508551	5085 FEMALE 4P HOUSING	4	PCS	
10	4-12-0015-003651	LATCH MATERIAL: SUS #301	1	PCS	
9	3-03-0002-005001	PP BK	4	G	
8	3-02-0001-532151	PE5321	7	G	
7	3-01-0001-005001	PVC 50P BK	12	G	
6	2-70-0001-011501	MINI SAS 36P PCB	1	PCS	
5	2-66-A021-000301	SAS 29P/F CONTACT GOLD PLATED 15U" H.S NY-9T BLACK	4	PCS	
4	1-57-0083-610203	UL1007 22 AWG RED	318*4	mm	
3	1-57-0007-610205	UL1007 22 AWG YELLOW	318*4	mm	
2	1-57-0081-610201	UL1007 22 AWG BLACK	318*8	mm	
1	1-61-0006-200251	(2C*30#+AL+2D)*2C OD:1.85*5.8mm PANTON 200C UL2863	548*4	mm	
NO.	PART NO.	DESCRIPTION	QTY	UNIT	

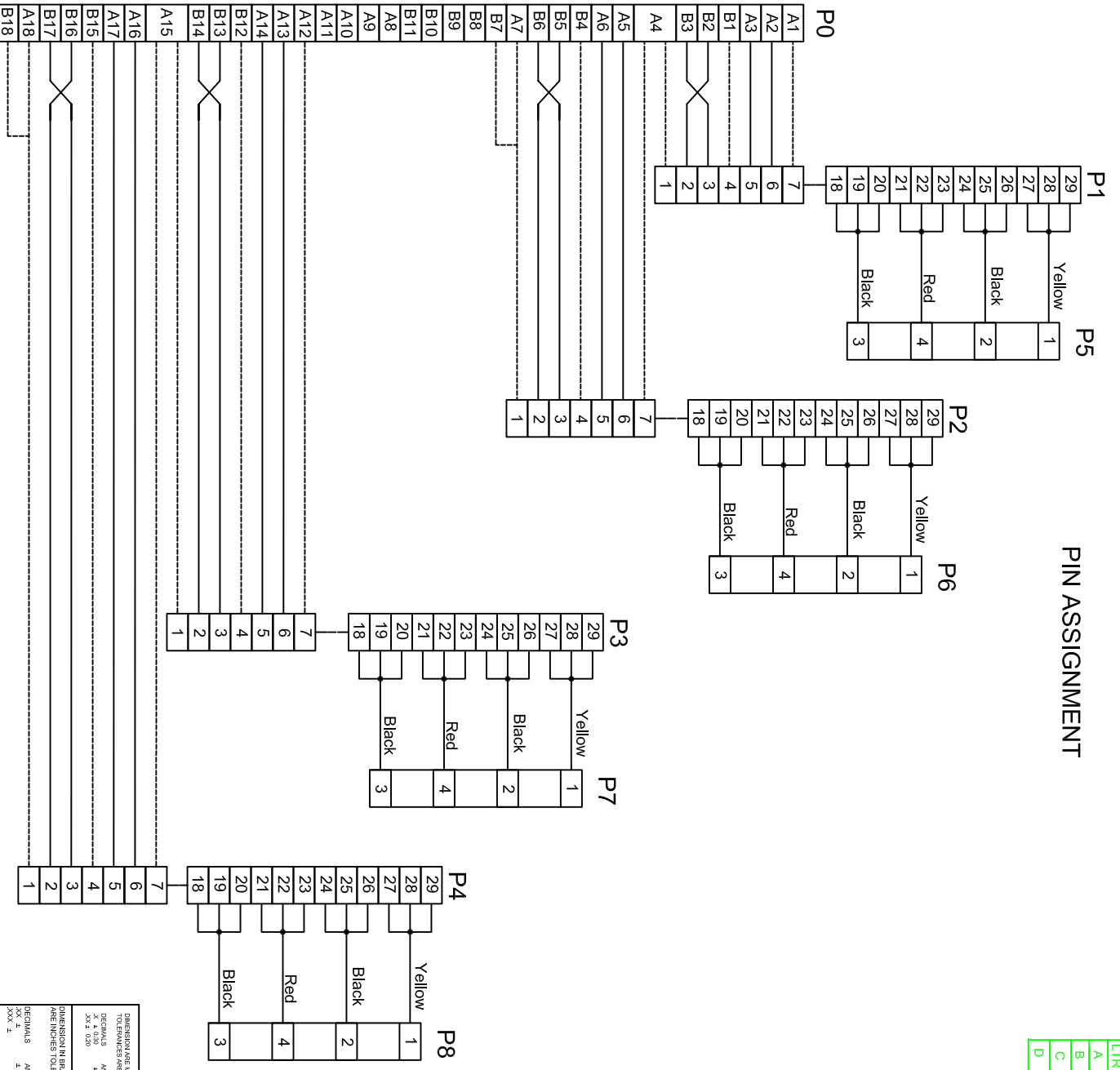
TERMINAL USE UNITS NUMBERS	APPROVALS	DATE
TOLERANCES ARE:	DRAWN	
DECIMALS .15"	CHECKED	
ANGLES 1.5°		
DIMENSIONS IN BRACKET (X.XX)	APPROVAL:	
INCHES TOLERANCES ARE:		
XXX .1		
DO NOT SCALE DRAWING		

DataStorageCables.com

INT. MINI SAS 36P TO	
4x (SAS 29P/F+POWER 4P)	
SIZE	SCALE :
C xx	xx
DRAWING NO.	REV.
13629-1MC	D
ID NO.	SHEET 1 OF 1

# PIN ASSIGNMENT

REVISIONS				
LTR	ECR NO.	DESCRIPTION	DATE	APPROVED
A	07078	Initial Release for Manufacture	MAY.26.07	Jenny Duh
B	07124	Change the PIN ASSIGNMENT	AUG.16.07	Jenny Duh
C	07124	Change Plug Plastic And Bag	Nov.08.07	Jenny Duh
D	07139	Change CARTON AND PE BAGG	Nov.23.07	Jenny Duh



DIMENSION/ANGLES/MILLIMETERS		APPROVALS		DATE	
TOLERANCES ARE:	DRAWN				
DECIMALS .XX	ANGLES .5°				
XX.X ± .020					
DIMENSION IN BRACKET (XX.X)		CHECKED			
ARE INCHES TOLERANCES ARE:		CHECKED			
XX.X ±					
XX.X ±					
ID/ONLY SCALE DRAWING		SIZE		SCALE :	
		C		xx : xx	
		DRAWING NO.		13629-1MC	
		REV.		D	
		SHEET		2 OF 2	

DataStorageCables.com

INT. MINI SAS 36P TO

4x (SAS 29P/F+POWER 4P)