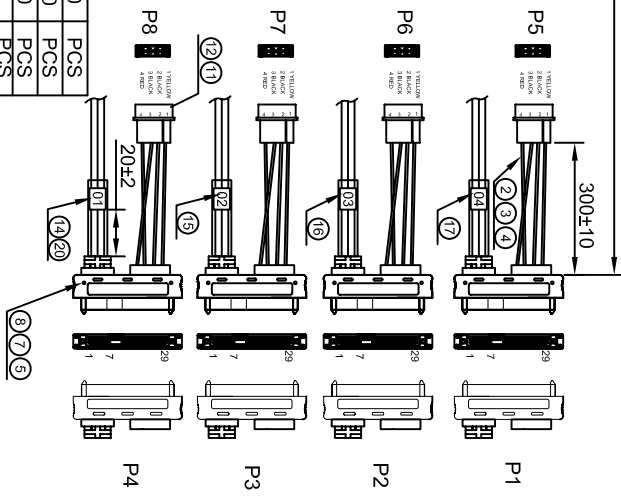
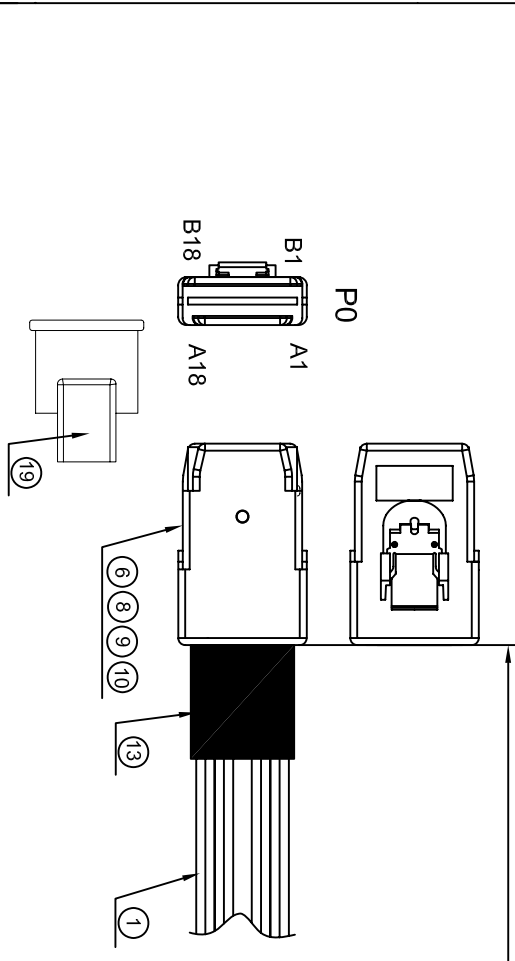


PART NO. MD-7096022

REVISIONS				
LTR	ECR NO	DESCRIPTION	DATE	APPROVED
A	07078	Initial Release for Manufacture	MAY.26.07	J.Duh
B	07124	Change the PIN ASSIGNMENT	AUG.16.07	J.Duh
C	07139	Change Plug Plastic And Bag	NOV.08.07	J.Duh
D	07139	Change CARTON AND PE BANG	NOV.23.07	J.Duh
E	97003	Abb Label	FEB.19.08	J.Duh
F	09045	Change LATCH	MAR.19.09	J.Duh
G	09156	Change cable dosage	AUG.10.09	J.Duh



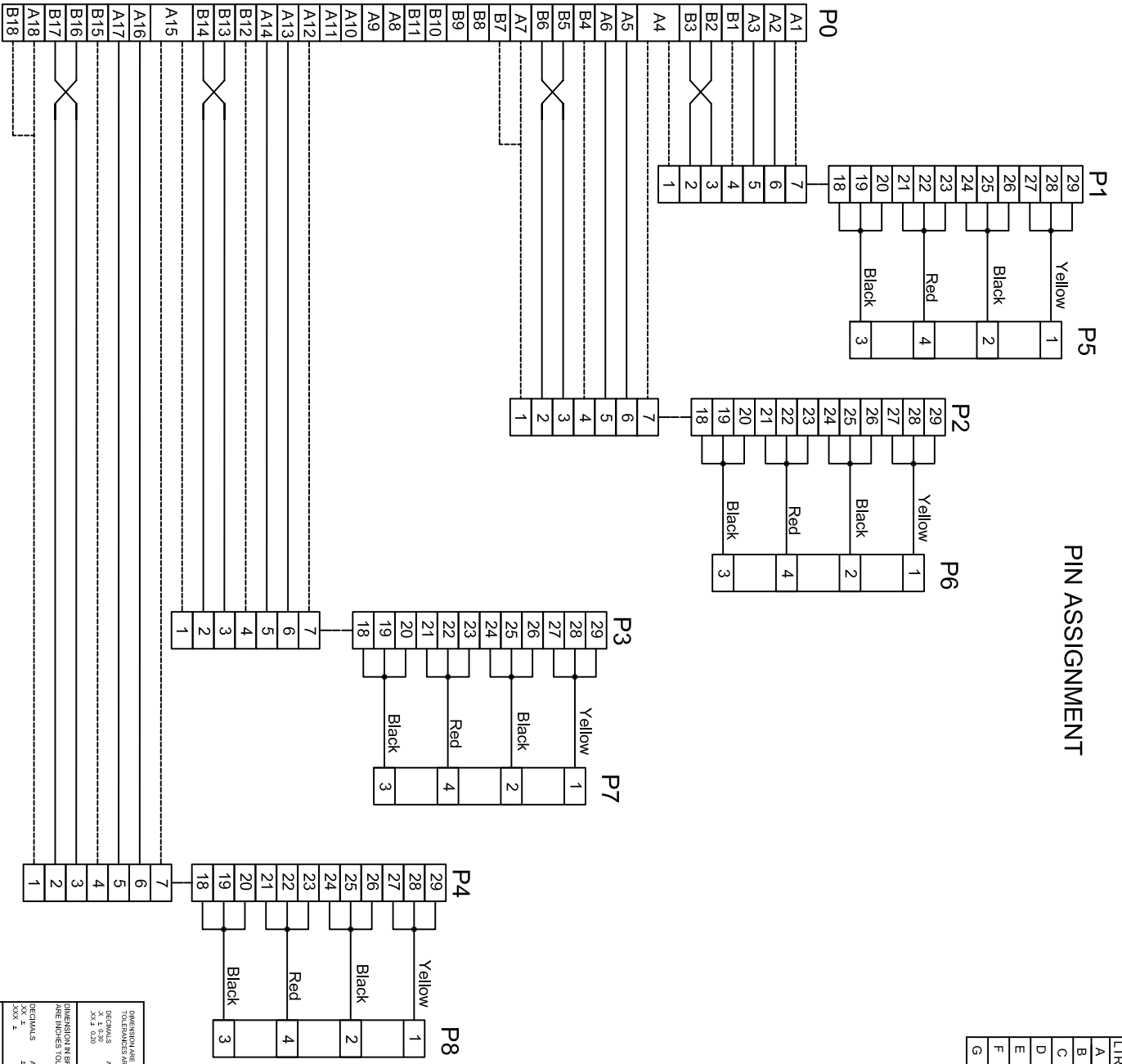
*	4-18-0005-463015	CARTON 46*30*15cm	1/50	PCS
*	4-18-0032-140475	ANGLE CHIPBOARD:140*47MM	4/50	PCS
*	4-14-0022-342851	PE BAG 34*28*0.08mm	1/50	PCS
*	4-14-0001-060851	PE BAG 6*8*0.06mm	1	PCS
*	4-16-0005-100010	TIE WHITE	100	mm
*	4-15-0039-200201	TUBE OD:5.0MM TRANSPARENT	30*4	mm
19	4-11-0012-000001	MINI SAS 36P DUSTPROOF COVER	1	PCS
18	4-22-0074-301551	LABEL:"13629-.5MC"FOR PE BAG "MM"."MONTH "YY"."YEAR	1	PCS
17	4-20-0052-100504	LABEL "04" TRANSLUCENT BOTTOM BLACK WORD	1	PCS
16	4-20-0051-100503	LABEL "03" TRANSLUCENT BOTTOM BLACK WORD	1	PCS
15	4-20-0050-100502	LABEL "02" TRANSLUCENT BOTTOM BLACK WORD	1	PCS
14	4-20-0036-100501	LABEL "01" TRANSLUCENT BOTTOM BLACK WORD	1	PCS
13	4-20-0062-002001	ACETATE TAPE BLACK W=20mm	40	mm
12	4-19-A006-508501	5085 MALE TERMINAL	16	PCS
11	4-19-B006-508551	5085 FEMALE 4P HOUSING	4	PCS
10	2-61-A042-011501	LATCH	1	PCS
9	3-03-0002-005001	PP BK	4	G
8	3-02-0001-532151	PE3321	7	G
7	3-01-0001-005001	PVC 50P BK	12	G
6	2-70-0001-011501	MINI SAS 36P PCB	1	PCS
5	2-66-A021-000301	SAS 29P/ CONTACT GOLD PLATED 15U",H,S NY-9T BLACK	4	PCS
4	1-57-0083-610203	UL1007 22 AWG RED	318*4	mm
3	1-57-0007-610205	UL1007 22 AWG YELLOW	318*4	mm
2	1-57-0081-610201	UL1007 22 AWG BLACK	318*8	mm
1	1-61-0006-200251	(2C*30#*AL*2D)*2C OD:1.85*5.8mm PANTON 200C UL2863	525*4	mm

DIMENSION ARE IN MILLIMETERS		DIMENSION ARE IN INCHES	
TOLERANCES ARE:	ANGLES	TOLERANCES ARE:	ANGLES
±0.15	±0.5°	±0.005	±0.1°
±0.3	±0.5°	±0.01	±0.1°
±0.5	±0.5°	±0.02	±0.1°

APPROVALS	DATE
DESIGNED: _____	_____
CHECKED: _____	_____
DRAWING NO.:	REV.:
INT. MINI SAS 36P TO	4X (SAS 29P/F+POWER 4P)
SCALE: 1:1	DRAWING NO.:
SIZE: 110x170	13629-.5MC
REV.:	G

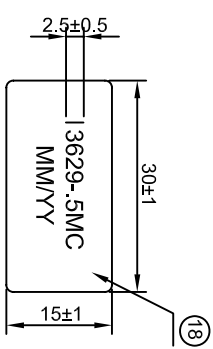
DataStorageCables.com

PIN ASSIGNMENT



REVISIONS

LTR	ECR NO.	DESCRIPTION	DATE	APPROVED
A		Initial Release for Manufacture	May/26/07	Jeremy Duh
B	07078	Change the PIN ASSIGNMENT	AUG-16-07	Jeremy Duh
C	07124	Change Plug Plastic And Bag	Nov-08-07	Jeremy Duh
D	07139	Change CARTON AND PE BAG	Nov-23-07	Jeremy Duh
E	97003	Abb Label	Feb-19-08	Jeremy Duh
F	09045	Change LATCH	Mar-19-09	Jeremy Duh
G	09156	Change cable dosage	Aug-10-09	Jeremy Duh



DIMENSION LINE UNITS DIMENSIONS ARE IN MILLIMETERS DECIMALS ARE IN MILLIMETERS ANGLES ARE IN DEGREES		APPROVALS DRAWN CHECKED	DATE
DIMENSION LINE BRACKET (X.X) DIMENSIONS ARE IN MILLIMETERS DECIMALS ARE IN MILLIMETERS ANGLES ARE IN DEGREES		CHECKED	
ID NO.		SIZE SCALE :	DRAWING NO. REV.
DataStorageCables.com		INT. MINI SAS 36P TO 4X (SAS 29P/F+POWER 4P)	13629-.5MC G
DO NOT SCALE DRAWING		SHEET 2 OF 2	