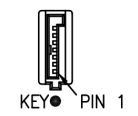
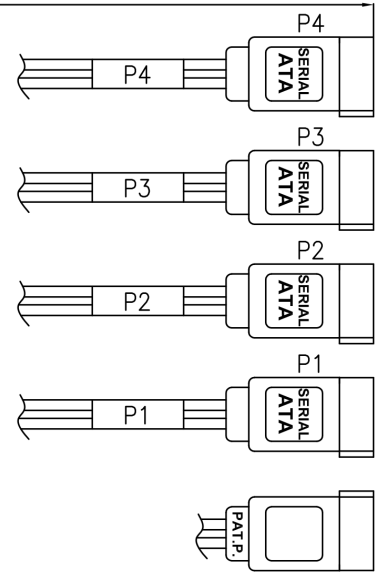
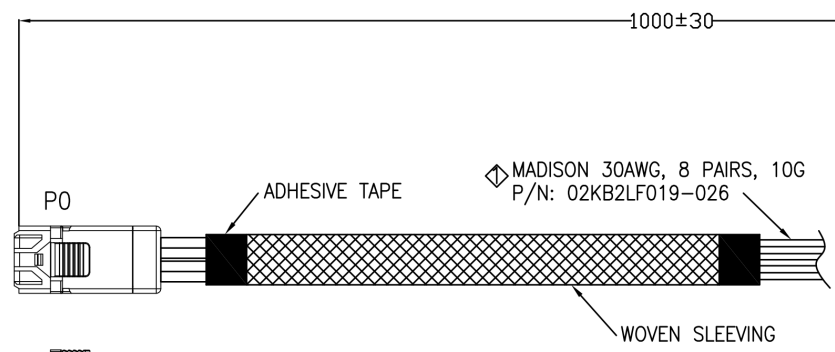


1	2	3	4	5	6	7	8	9
---	---	---	---	---	---	---	---	---

REV.	REMARK	DATE	SIGN.
◇	CHANGE CABLE & PCB	01/25/'13	

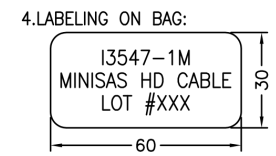
RoHS



MATERIAL RoHS COMPLIANT:

◇ 1.CABLE:
 CONDUCTOR: 30AWG SOLID SILVER PLATED COPPER.
 INSULATION: FOAM POLYOLEFIN.
 PAIR: 2 SINGLES LAID FLAT AND PARALLEL.
 PAIR DRAIN WIRE: 30AWG SOLID TIN PLATED COPPER.
 PAIR SHIELD: ALUMINUM/POLYESTER TAPE.
 ALUMINUM SIDE FACING IN, 25% OVERLAP.
 DIFFERENTIAL IMPEDANCE: 100±5 OHMS @TDR
 UL RECOGNIZED: AWM STYLE 21490 80°C 30 VOLTS.

2.CONNECTOR:
 P0: Mini SAS HD 4i CABLE PLUG (SFF-8643)
 ◇ (1) P.C.B: 4 LAYERS, GOLD PLATING ON CONTACT PADS, WITHOUT CARBON
 (P/N: MPCB-040115LF REV.A / MPCB-040116LF REV.A)
 (2) HOUSING: PBT, BLACK.
 P1-P4: SATA 7P INTERNAL CABLE REC.
 3.FOR SAS 6.0 Gbps.



DATA STORAGE CABLES	DESC.	Mini SAS HD 4i to 4* SATA internal cable rec. cable ass'y		APPROVED	CHECKED	DESIGNED	TOLERANCE	SCALE	*	UNIT	mm	⌀
	P/N	I3547-1M	CUSTOMER P/N					DATE	01/25/'13	DWG NO:	DWG\RC\5972	

1	2	3	4	5	6	7	8	9
---	---	---	---	---	---	---	---	---