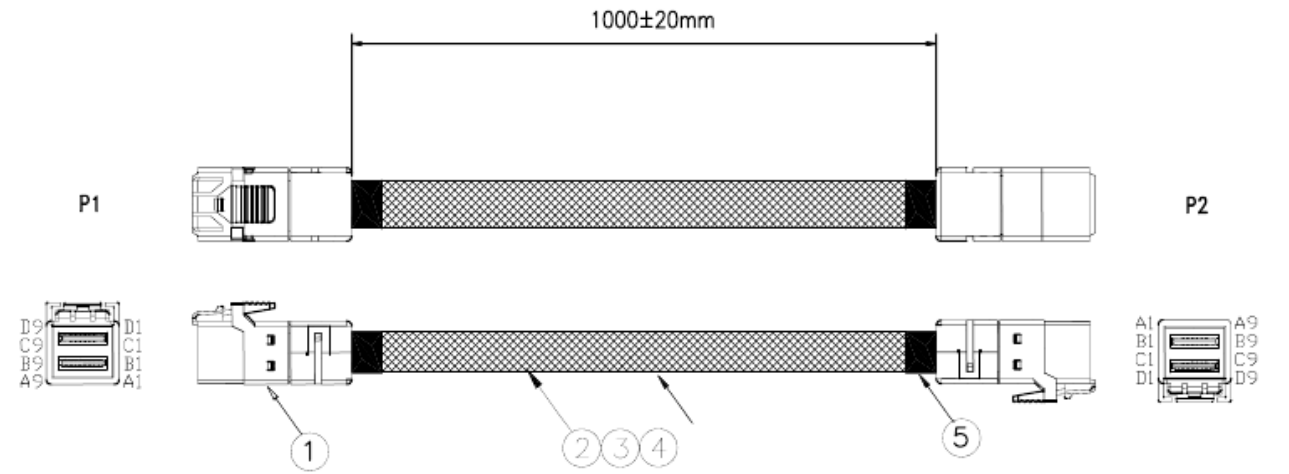


5	REV	ZONE	LTR	DESCRIPTION	7	DATE	8	REVISER	APPD
---	-----	------	-----	-------------	---	------	---	---------	------

PIN ASSIGNMENT			
P1 Mini SAS HD		P2 Mini SAS HD	
PIN	SIGNAL	PAD	SIGNAL
D8	TX2-	B8	RX2-
D7	TX2+	B7	RX2+
D5	TX0-	B5	RX0-
D4	TX0+	B4	RX0+
D2	SIDEBAND 6	D1	SIDEBAND 6
D1	SIDEBAND 5	D2	SIDEBAND 5
C1	SIDEBAND 4	C2	SIDEBAND 4
C2	SIDEBAND 2	C1	SIDEBAND 2
C4	TX1+	A4	RX1+
C5	TX1-	A5	RX1-
C7	TX3+	A7	RX3+
C8	TX3-	A8	RX3-
B8	RX2-	D8	TX2-
B7	RX2+	D7	TX2+
B5	RX0-	D5	TX0-
B4	RX0+	D4	TX0+
B2	SIDEBAND 1	B1	SIDEBAND 1
B1	SIDEBAND 3	B2	SIDEBAND 3
A1	SIDEBAND 7	A2	SIDEBAND 7
A2	SIDEBAND 0	A1	SIDEBAND 0
A4	RX1+	C4	TX1+
A5	RX1-	C5	TX1-
A7	RX3+	C7	TX3+
A8	RX3-	C8	TX3-
GND GROUP	GND	GND GROUP	GND
A3,A6,A9,B3,B6,B9, C3,C6,C9,D3,D6,D9,		A3,A6,A9,B3,B6,B9, C3,C6,C9,D3,D6,D9,	



ELECTRICAL CHARACTER:

- a. 100% OPEN&SHORT TESTING
- b. WITHSTANDING VOLTAGE:DC 300V 0.01Sec
- c. INSULATION RESISTANCE:5M Ohm(Min)
- d. CONDUCTIVE RESISTANCE:5 Ohm(Max).

RoHS Compliant

5	H.S.T	HEAT SHRINK TUBE BLACK ID:9.5mm	2
4	WOVEN SLEEVE	WOVEN SLEEVING TUBE BLACK	1
3	CABLE 2	30AWG*4C	2
2	CABLE 1	(30AWG*2C+2D)*AL.MYLAR 6G CABLE	8
1	CONN	MINI SAS HD END	2
NO.	PART NAME	SPEC DESCRIPTION	REMAKE

TOLERANCES: ±

UNIT: mm SCALE: NON

PROJECTION:

DWG: LIAN 10.21.'13

PRODUCT: DataStorageCables.com

INT. SFF-8643 to SFF-8643

PART NO. 13535-1MCT SHEET 1/2

DWG NO. REV A