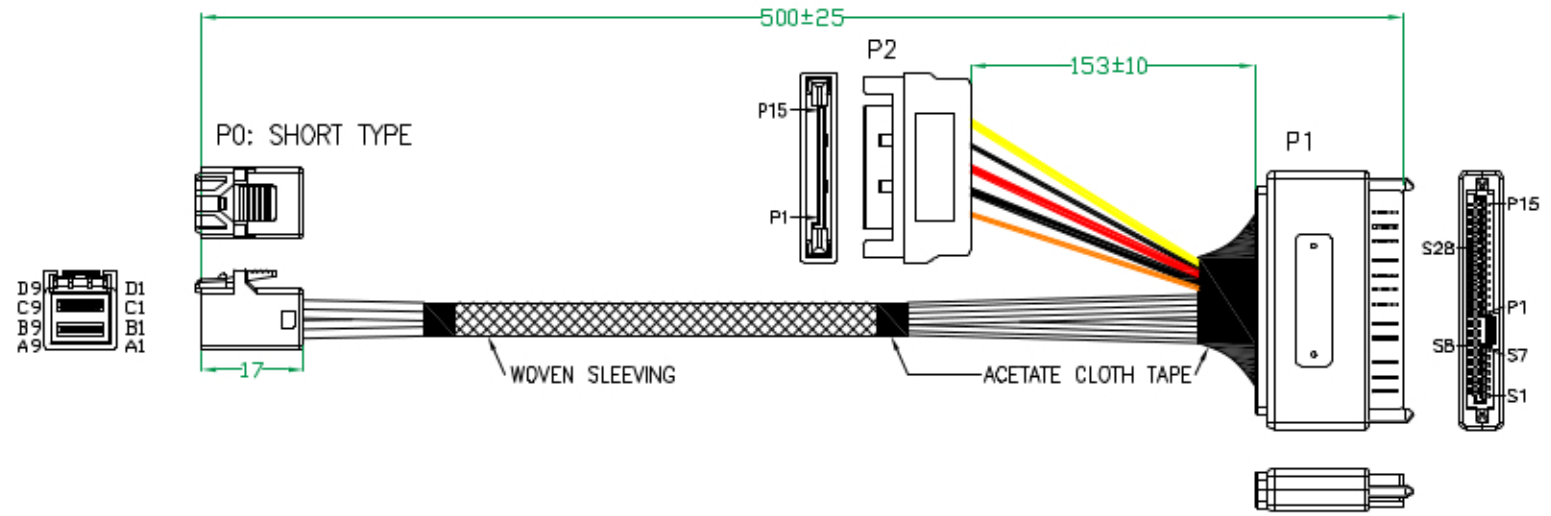


1	2	3	4	5	6	7	8	9
REV.	REMARK	DATE	SIGN.					

RoHS



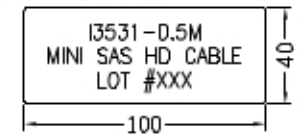
MATERIAL RoHS COMPLIANT:

- 1.CABLE: MADISON 30AWG, 10G(P/N: 02KB2LFD19-026)
 CONDUCTOR: 30AWG SOLID SILVER PLATED COPPER.
 INSULATION: FOAM POLYOLEFIN.
 PAIR: 2 SINGLES LAID FLAT AND PARALLEL.
 PAIR DRAIN WIRE: 30AWG SOLID TIN PLATED COPPER.
 PAIR SHIELD: ALUMINUM/POLYESTER TAPE.
 ALUMINUM SIDE FACING IN, 25% OVERLAP.
 DIFFERENTIAL IMPEDANCE: 100±5 OHMS @TDR
 UL RECOGNIZED: AWM STYLE 21490 80°C 30 VOLTS.
- 2.CABLE: MADISON 30AWG, (P/N: 02KB2LFD19)
- 3.CABLE: 30AWG WIRE (MCB-RC1560001~03)

4.CONNECTOR:

- P0: SFF-8643 SHORT TYPE PLUG
 - (1) P.C.B: 4 LAYERS, GOLD PLATING ON CONTACT PADS, WITHOUT CARBON (P/N: MPCB-040125LF REV.A / MPCB-040126LF REV.A)
 - (2) SHORT HOUSING: PBT, BLACK.
- P1: SFF-8639 68P CONNECTOR
 - (1) P.C.B: 4 LAYERS, GOLD PLATING ON CONTACT PADS
 - (2) HOUSING: ABS, BLACK.
 - (3) WITHOUT EARS NOR SCREWS.
- P2: SATA 15P POWER PLUG
 POWER CABLE: UL 1007 18AWG*3 80°C 300V
 POWER CABLE: UL 1007 24AWG*2 80°C 300V

5.LABELING ON BAG:

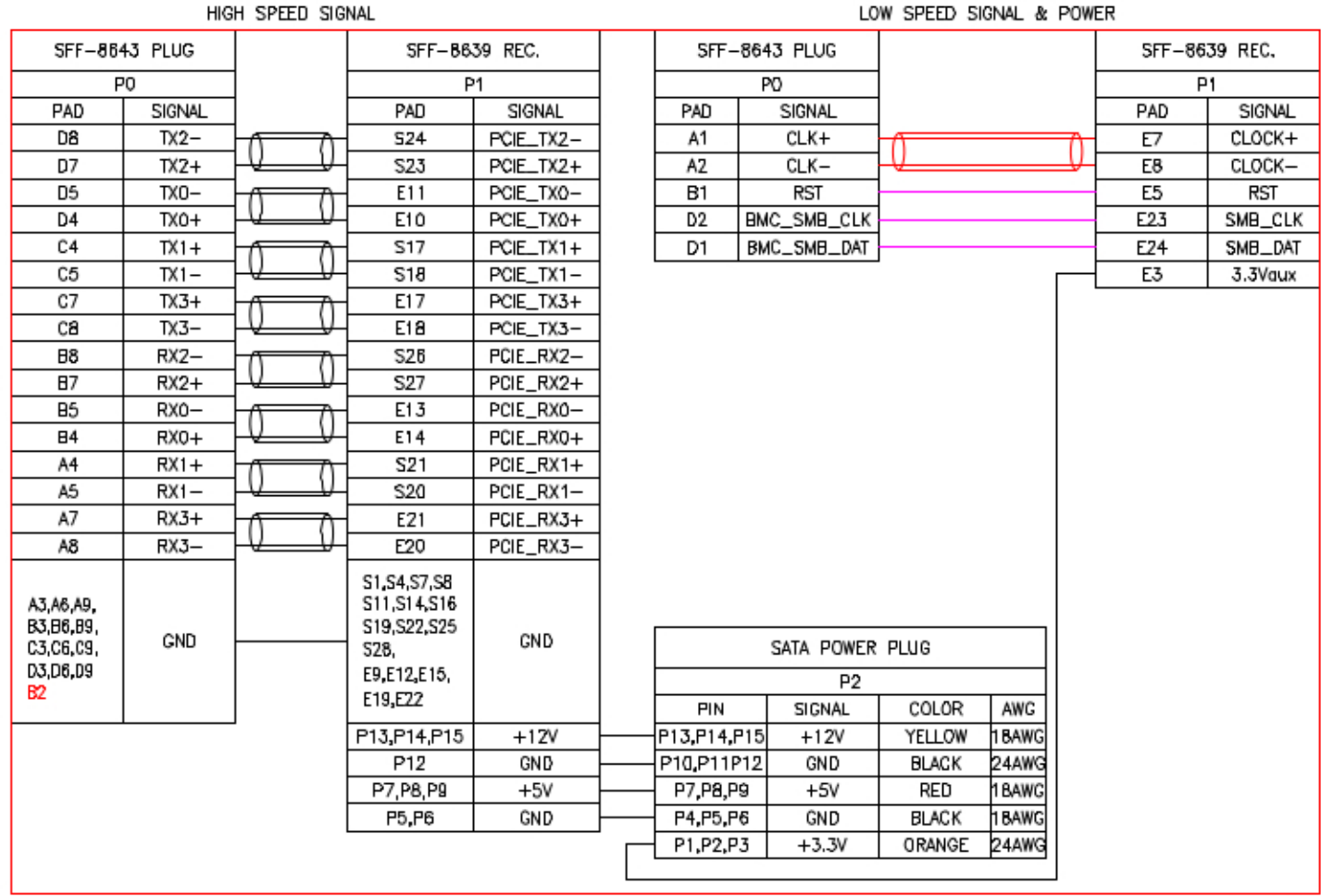


TMC The Mate Company

DESC.	SFF8643 TO SFF8639 REC. WITH 15P POWER CABLE ASSY	APPROVED	CHECKED	DESIGNED	TOLERANCE	SCALE	*	UNIT	mm	
P/N	I3531-0.5M	CUSTOMER P/N	I3531-0.5M	Sino		DATE	07/25/17	DWG NO:	DWG\B\6122	

REV.	REMARK	DATE	SIGN.

WIRING DIAGRAM



DESC.	SFF8643 TO SFF8639 REC. WITH 15P POWER CABLE ASS'Y	APPROVED	CHECKED	DESIGNED	TOLERANCE	SCALE	*	UNIT	mm	
P/N	13531-0.5M	CUSTOMER P/N		Sino		DATE	07/25/17	DWG NO:	DWG\B\6122	