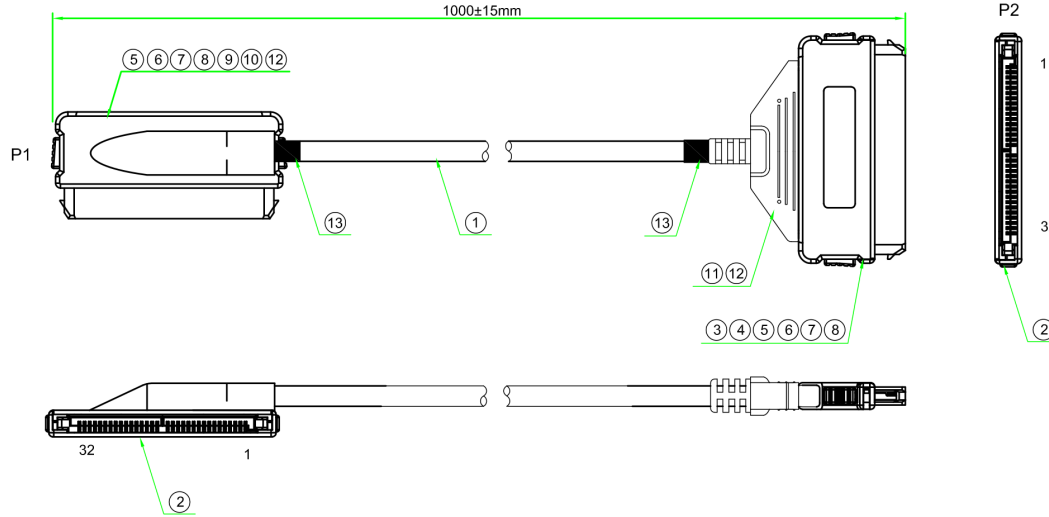


CUSTOMER DRAWING



ELECTRICAL TEST CONDITION:
 1. CONDUCTANCE RESISTANCE: 1ohm MAX
 2. INSULATION RESISTANCE: 20Mgeohm MIN
 3. VOLTAGE: DC 300volt / 10millisecond

REVISIONS			
LTR	DESCRIPTION	DATE	APPROVED
A0	Initial Release for Manufacture	Mar.17.08	

PIN ASSIGNMENT

P1		P2
1		32
2		31
3		30
4		29
5		28
6		27
7		26
8		25
9		24
10		23
11		22
12		21
13		20
14		19
15		18
16		17
17		16
18		15
19		14
20		13
21		12
22		11
23		10
24		9
25		8
26		7
27		6
28		5
29		4
30		3
31		2
32		1

0002-463025	CARTON 46*30*25			PCS
0022-342851	PE BAG 34**28**0.08mm			PCS
0001-060851	PE BAG 6**8**0.06MM	1		PCS
0019-708051	AIR BAG W=70mm L=80mm	2		PCS
0020-000001	RUBBER BAND	2		PCS
0063-001001	ACETATE TAPE BLACK W=10mm	30*2		mm
0002-086701	TRL-THERMELT-867	4		G
0001-005001	PVC BK 50P	16		G
A014-009001	SAS 32P/F 90° UP SHELL RIGHT ROUND MATERIAL:ABS BK	1		PCS
A012-009001	SAS 32P/F 90° BOTTOM SHELL MATERIAL:ABS BK	1		PCS
A018-003201	SAS 32P/F SCREW BK	4		PCS
A017-003251	SAS 32P/F LATCH-RIGHT MATERIAL:STAINLESS STEEL	2		PCS
A016-003251	SAS 32P/F LATCH-LEFT MATERIAL:STAINLESS STEEL	2		PCS
A015-003201	SAS 32P/F LATCH BUTTON MATERIAL:ABS BK	4		PCS
A011-018001	SAS 32P/F 180° BOTTOM SHELL MATERIAL:ABS BK	1		PCS
A010-018001	SAS 32P/F 180° UP SHELL MATERIAL:ABS BK	1		PCS
A005-000301	SAS32P CONNECTOR	2		PCS
0002-200251	(30#*2C+2D)*8P+8C+FILLER	1000		mm
ART NO.	DESCRIPTION	Q'TY	UNIT	

DIMENSION ARE MILLIMETERS
 TOLERANCES ARE:
 DECIMALS ANGLES
 X ± 0.30 ± 3°
 XX ± 0.30 ±

DIMENSION IN BRACKET (X.XX)
 ARE INCHES TOLERANCES ARE:
 DECIMALS ANGLES
 XX ± ±

DO NOT SCALE DRAWING

APPROVALS	DATE
DRAWN	
CHECKED	
APPROVAL	

DataStorageCables.com			
SAS 32P/F R/A TO SAS 32P/F 180° CABLE ASS'Y, 1M			
SIZE C	SCALE : xx : xx	DRAWING NO. I3232-1MC-RA3	REV. A0
ID NO.	S115505000013G		SHEET 1 OF 1