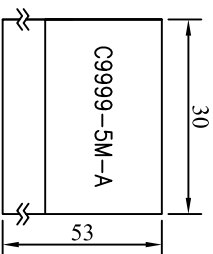
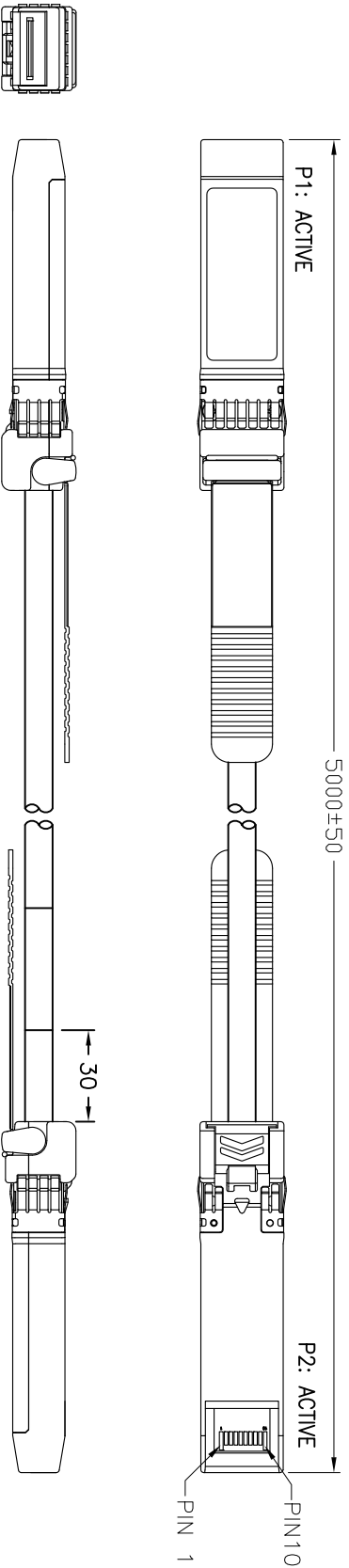


|      |        |       |
|------|--------|-------|
| 1    | 2      | 3     |
| REV. | REMARK | SIGN. |
|      | DATE   |       |

**ROHS**

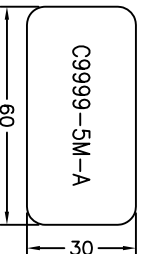


MADISON 30AWG, 10G TurboTwin™  
P/N:04KB2LF004

**MATERIAL ROHS COMPLIANT:**

- 1.CABLE:  
 CONDUCTOR: 30 AWG SOLID SILVER PLATED COPPER.  
 INSULATION: FOAM POLYOLEFIN, COLOR – NATURAL.  
 PAIR: 2 SINGLES LAID FLAT AND PARALLEL.  
 CORE: 2 PARS  
 PAIR DRAIN: 30 AWG SOLID SILVER PLATED COPPER.  
 PAIR SHIELD: ALUMINUM/POLYESTER TAPE, ALUMINUM SIDE FACING IN.  
 INNER SHIELD: ALUMINUM/POLYESTER/ALUMINUM TAPE, 25% OVERLAP.  
 OUTER SHIELD: 38 AWG TIN PLATED COPPER BRAID, 85% COVERAGE.  
 JACKET: XPBT, COLOR – BLACK.  
**DIAMETER: 4.445±0.254 MM**  
 DIFFERENTIAL IMPEDANCE: 100 ± 5 OHM @TDR  
**PRINTED LEGEND: \*MADISON CABLE (UL) TYPE CL2 75°C 30 AWG**  
**CSA AWM II A/B 75C 30V FT4 TurboTwin™ 10G 101-6669 RoHS COMPLIANT {D/C}\***  
 APPROVAL: UL TYPE CL2 AS SPECIFIED IN ARTICLE 725 OF THE NATIONAL ELECTRICAL CODE.
- 2.CONNECTOR:  
 P1,P2: SFP+ MODULE  
 <1> HOOD: ZINC DIE CASTING, NICKEL PLATING.  
 <2> LATCH: PC RESIN UL94V, COLOR IN BLACK.  
 <3> P.C.B: 4 LAYERS, GOLD PLATING ON CONTACT PADS.(SPCB-040104DXBx)  
 <4> ACTIVE IC: INTERSIL ISL35111 AND ISL36111.  
 <5> SERIAL ID IC: AT24C02B or EQUIVALENT.  
 <6> PULL TAB: NYLON UL94V-0 COLOR: WHITE.

3.LABELING ON BAG:



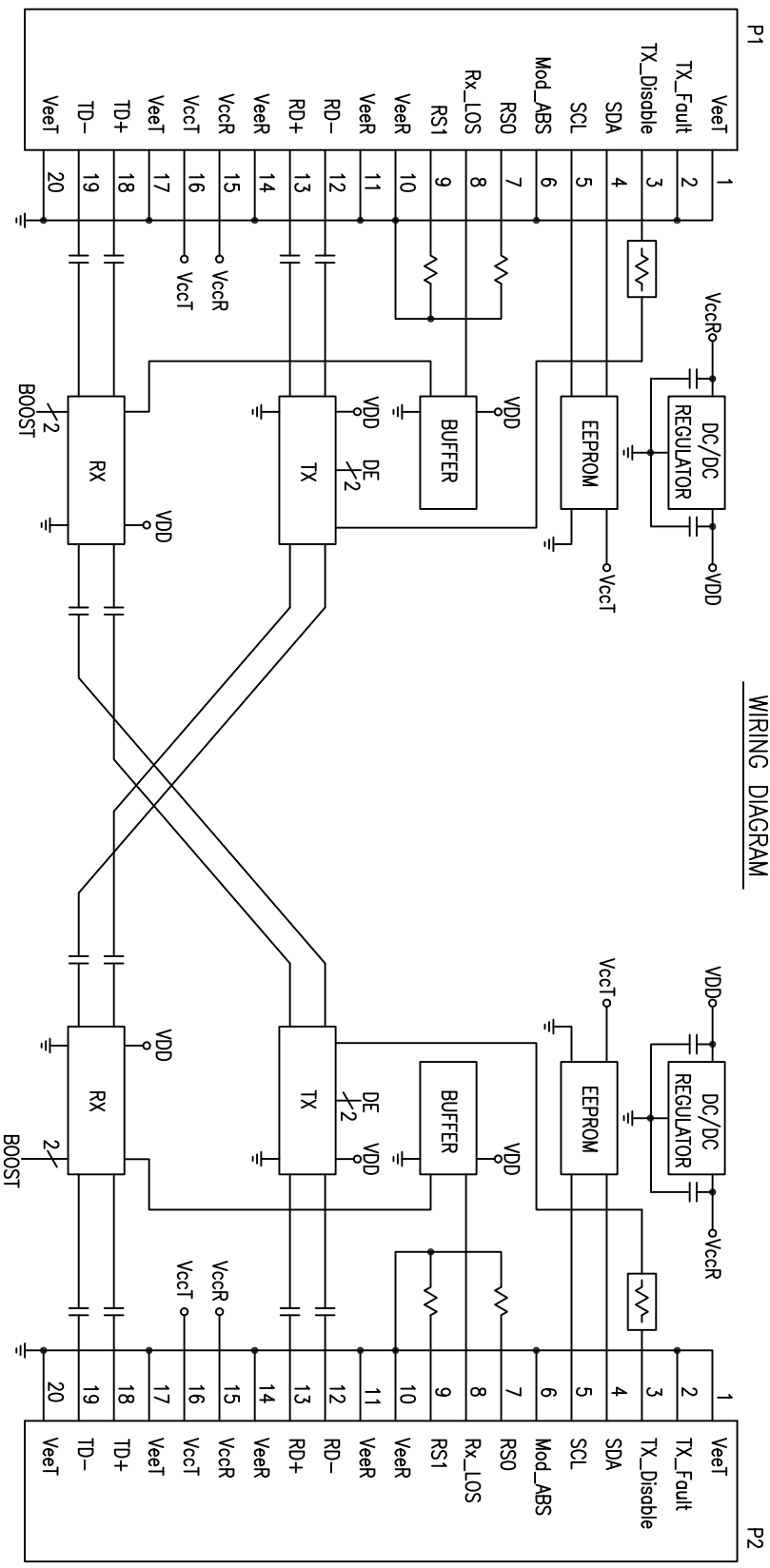
| WIRING CHART |        |        |        |
|--------------|--------|--------|--------|
| P1 END       | SIGNAL | P2 PAD | P2 END |
| P1 PAD       | SIGNAL | P2 PAD | SIGNAL |
| 12           | RX-    | 19     | TX-    |
| 13           | RX+    | 18     | TX+    |
| GROUND       |        | GROUND |        |
| 18           | TX+    | 13     | RX+    |
| 19           | TX-    | 12     | RX-    |
| GROUND       |        | GROUND |        |

DataStorageCables.com

|       |                               |              |         |          |           |       |          |         |             |
|-------|-------------------------------|--------------|---------|----------|-----------|-------|----------|---------|-------------|
| 1     | 2                             | 3            | 4       | 5        | 6         | 7     | 8        | 9       |             |
| DESC. | SFP+ 30AWG ACTIVE CABLE ASS'Y | APPROVED     | CHECKED | DESIGNED | TOLERANCE | SCALE | *        | UNIT    | mm          |
| P/N   | C9999-5M-A                    | CUSTOMER P/N |         | Sino     |           | DATE  | 02/08/12 | DWG NO: | DWG\RC\5147 |

|        |   |   |      |       |   |   |   |   |   |
|--------|---|---|------|-------|---|---|---|---|---|
| REV.   | 1 | 2 | 3    | 4     | 5 | 6 | 7 | 8 | 9 |
| REMARK |   |   |      |       |   |   |   |   |   |
|        |   |   | DATE |       |   |   |   |   |   |
|        |   |   |      | SIGN. |   |   |   |   |   |

WIRING DIAGRAM



|                       |       |                               |          |         |          |           |           |                     |
|-----------------------|-------|-------------------------------|----------|---------|----------|-----------|-----------|---------------------|
| DataStorageCables.com | DESC. | SFP+ 30AWG ACTIVE CABLE ASS'Y | APPROVED | CHECKED | DESIGNED | TOLERANCE | SCALE     | UNIT                |
|                       | P/N   | C9999-5M-A                    |          |         | Justin   | *         | *         | mm                  |
|                       |       | CUSTOMER P/N                  |          |         |          |           | DATE      | DWG NO:             |
|                       |       |                               |          |         |          |           | 02/08/'12 | DWG NO: DWG\RC\5147 |

1 2 3 4 5 6 7 8 9