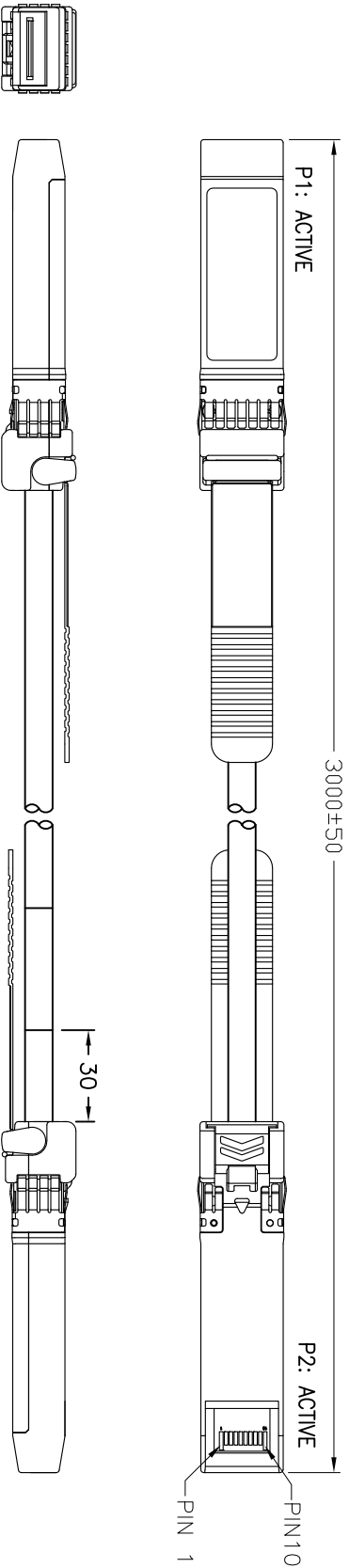
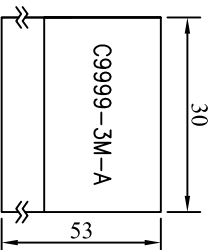


1	2	3
REV.	REMARK	DATE
		SIGN.

ROHS



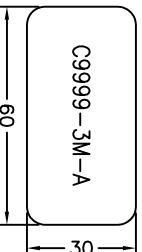
MADISON 30AWG, 10G TurboTwin™
P/N:04KB2LF004



MATERIAL ROHS COMPLIANT:

- 1.CABLE:
 CONDUCTOR: 30 AWG SOLID SILVER PLATED COPPER.
 INSULATION: FOAM POLYOLEFIN, COLOR – NATURAL.
 PAIR: 2 SINGLES LAID FLAT AND PARALLEL.
 CORE: 2 PARS
 PAIR DRAIN: 30 AWG SOLID SILVER PLATED COPPER.
 PAIR SHIELD: ALUMINUM/POLYESTER TAPE, ALUMINUM SIDE FACING IN.
 INNER SHIELD: ALUMINUM/POLYESTER/ALUMINUM TAPE, 25% OVERLAP.
 OUTER SHIELD: 38 AWG TIN PLATED COPPER BRAID, 85% COVERAGE.
 JACKET: XPBT, COLOR – BLACK.
DIAMETER: 4.445±0.254 MM
 DIFFERENTIAL IMPEDANCE: 100 ± 5 OHM @TDR
PRINTED LEGEND: *MADISON CABLE (UL) TYPE CL2 75°C 30 AWG
CSA AWM II A/B 75°C 30V FT4 TurboTwin™ 10G 101-6669 RoHS COMPLIANT {D/C}*
 APPROVAL: UL TYPE CL2 AS SPECIFIED IN ARTICLE 725 OF THE NATIONAL ELECTRICAL CODE.
- 2.CONNECTOR:
 P1,P2: SFP+ MODULE
 <1> HOOD: ZINC DIE CASTING, NICKEL PLATING.
 <2> LATCH: PC RESIN UL94V, COLOR IN BLACK.
 <3> P.C.B: 4 LAYERS, GOLD PLATING ON CONTACT PADS.(SPCB-040104DXBx)
 <4> ACTIVE IC: INTERSIL ISL35111 AND ISL36111.
 <5> SERIAL ID IC: AT24C02B or EQUIVALENT.
 <6> PULL TAB: NYLON UL94V-0 COLOR: WHITE.

3.LABELING ON BAG:



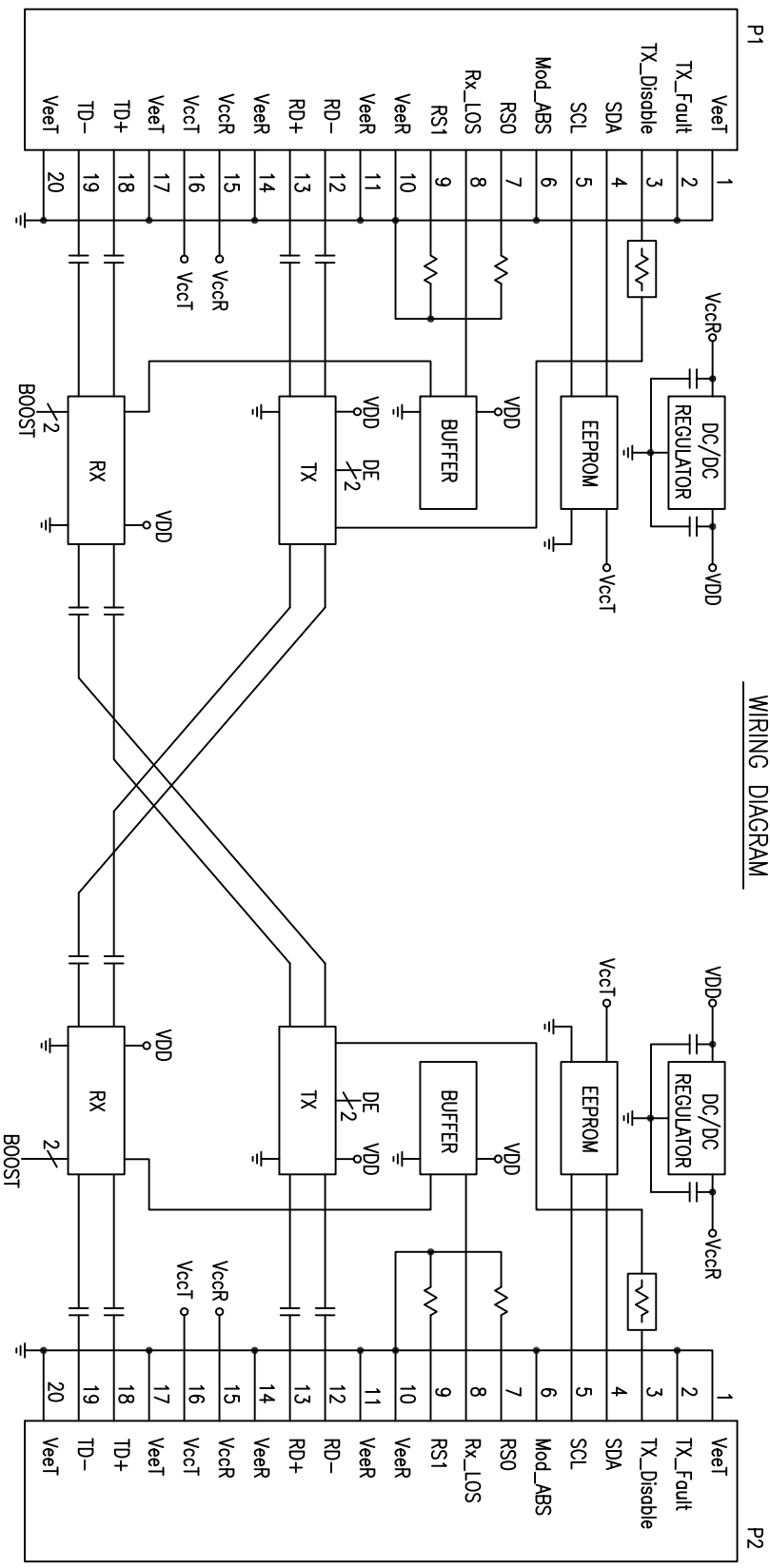
WIRING CHART			
P1 END	SIGNAL	P2 PAD	P2 END
P1 PAD	SIGNAL	P2 PAD	SIGNAL
12	RX-	19	TX-
13	RX+	18	TX+
GROUND		GROUND	
18	TX+	13	RX+
19	TX-	12	RX-
GROUND		GROUND	

DataStorageCables.com

DESC.	SFP+ 30AWG ACTIVE CABLE ASS'Y	APPROVED	CHECKED	DESIGNED	TOLERANCE	SCALE	*	UNIT	mm	DWG NO:	DWG RC\5147
P/N	C9999-3M-A	CUSTOMER P/N		Sino		DATE	02/08/12				

REV.	1	2	3	4	5	6	7	8	9
REMARK									
			DATE						
				SIGN.					

WIRING DIAGRAM



DataStorageCables.com	DESC.	SFP+ 30AWG ACTIVE CABLE ASS'Y	APPROVED	CHECKED	DESIGNED	TOLERANCE	SCALE	UNIT
	P/N	C9999-3M-A			Justin	*	*	mm
		CUSTOMER P/N					DATE	DWG NO:
							02/08/'12	DWG NO: DWG\RC\5147