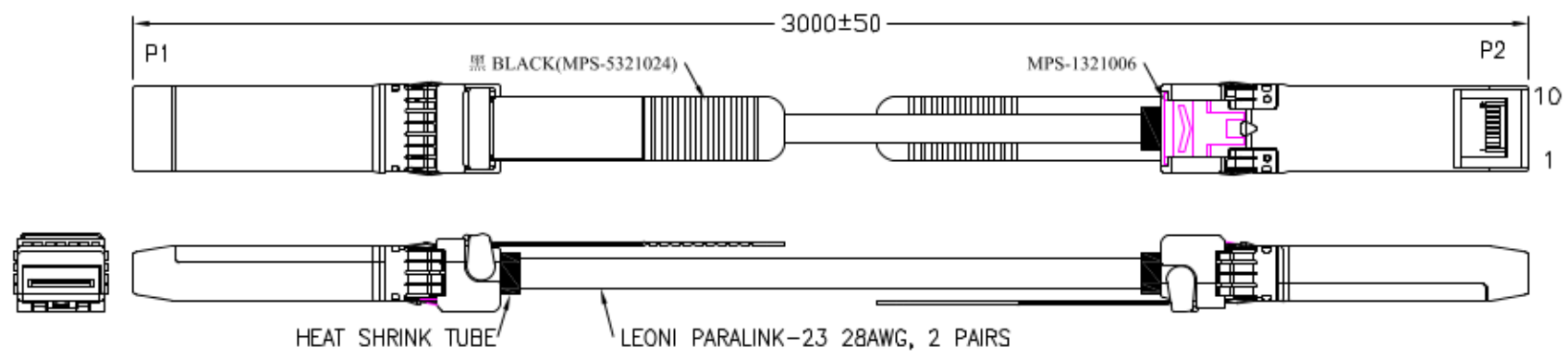


| | | | | | | | | |
|------|--------|---|---|------|-------|---|---|---|
| 1 | 2 | 3 | 4 | 5 | 6 | 7 | 8 | 9 |
| REV. | REMARK | | | DATE | SIGN. | | | |

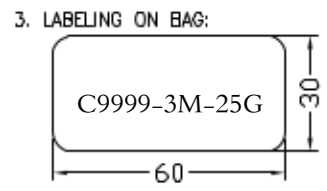
RoHS



MATERIAL RoHS COMPLIANT

1. CABLE:
 CONDUCTOR: 28AWG SOLID SILVER PLATED COPPER.
 INSULATION: SKIN-FOAM-SKIN
 PAIR: 2 WIRES, WH AND YE PARALLEL.
CORE: 2 PAIRS
 PAIR DRAIN WIRE: $\phi 0.2$ mm (32AWG) TINNED COPPER.
 PAIR SHIELD: ALUMINUM FOIL OVERLAPPED, APPLIED LONGITUDINALLY.
 INNER SHIELD: ALUMINUM FOIL OVERLAPPED, APPLIED LONGITUDINALLY.
 OUTER SHIELD: TINNED COPPER BRAID, 85% COVERAGE.
DIAMETER: 4.7 ± 0.3 mm
 PRINT LEGEND: "LEONI High Speed Cables ParaLink[®]-23
 100 Ω 2pairs AWG2B (shielded) (UL) E116441 CL2 75°C"
 DIFFERENTIAL IMPEDANCE: 100 ± 5 Ohm

2. CONNECTOR:
 P1&P2: SFP+ MODULE
 <1> HOOD: ZINC DIE CASTING, NICKEL PLATING. (MMT-03017121TF/B)
 <2> LATCH: PC RESIN UL94V, COLOR IN BLACK. (MPS-1321006)
 <3> P.C.B: 4 LAYERS, GOLD PLATING ON CONTACT PADS.
 <4> SERIAL ID IC: ATMEL 24C02B OR EQUIVALENT.
 <5> PULL TAB: NYLON UL94V-0, COLOR: BLACK. (MPS-5321024)



| WIRING CHART | | | |
|--------------|--------|--------|--------|
| P1 END | | P2 END | |
| P1 PAD | SIGNAL | P2 PAD | SIGNAL |
| 12 | RX- | 19 | TX- |
| 13 | RX+ | 18 | TX+ |
| GROUND | | GROUND | |
| 18 | TX+ | 13 | RX+ |
| 19 | TX- | 12 | RX- |
| GROUND | | GROUND | |

TMC - The Mate Company

| | | | | | | | | | | |
|-------|---------------------------|----------|---------|----------|-----------|-------|----------|---------|-------------|--|
| DESC. | SFP28 PASSIVE CABLE ASS'Y | APPROVED | CHECKED | DESIGNED | TOLERANCE | SCALE | * | UNIT | mm | |
| P/N | C9999-3M-25G | | | Sino | | DATE | 11/02/15 | DWG NO: | DWG\RC\7596 | |