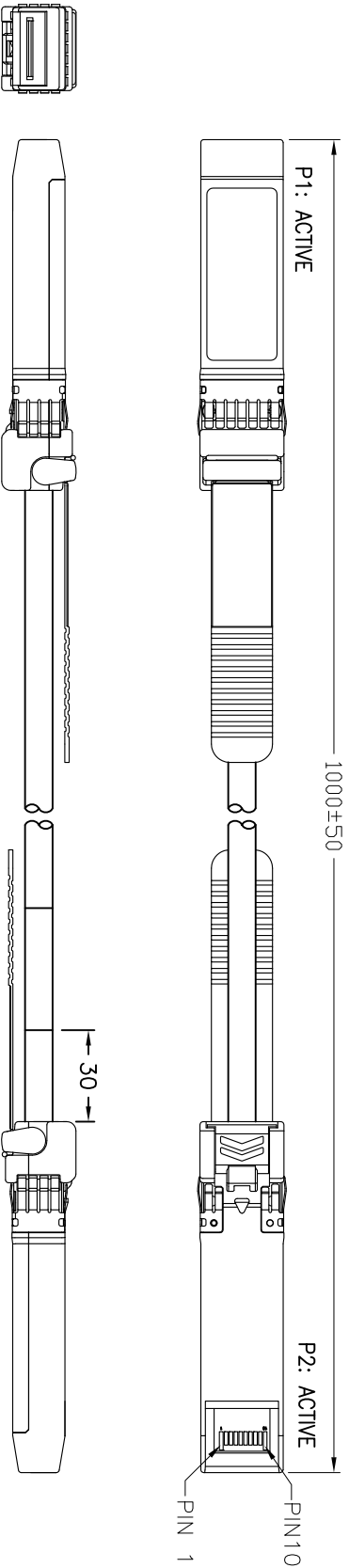
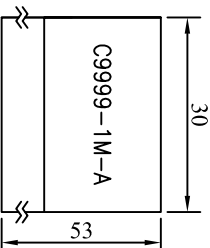


1	2	3
REV.	REMARK	SIGN.
	DATE	

**ROHS**



MADISON 30AWG, 10G TurboTwin™  
P/N:04KB2LF004



**MATERIAL ROHS COMPLIANT:**

**1.CABLE:**

CONDUCTOR: 30 AWG SOLID SILVER PLATED COPPER.  
INSULATION: FOAM POLYOLEFIN, COLOR – NATURAL.  
PAIR: 2 SINGLES LAID FLAT AND PARALLEL.  
CORE: 2 Pairs  
PAIR DRAIN: 30 AWG SOLID SILVER PLATED COPPER.  
PAIR SHIELD: ALUMINUM/POLYESTER TAPE, ALUMINUM SIDE FACING IN.  
INNER SHIELD: ALUMINUM/POLYESTER/ALUMINUM TAPE, 25% OVERLAP.  
OUTER SHIELD: 38 AWG TIN PLATED COPPER BRAID, 85% COVERAGE.  
JACKET: XPBT, COLOR – BLACK.

**DIAMETER: 4.445±0.254 MM**

**DIFFERENTIAL IMPEDANCE: 100 ± 5 OHM @TDR**

**PRINTED LEGEND: \*MADISON CABLE (UL) TYPE CL2 75°C 30 AWG**

**CSA AWM II A/B 75°C 30V FT4 TurboTwin™ 10G 101-6669 ROHS COMPLIANT {D/C}\***

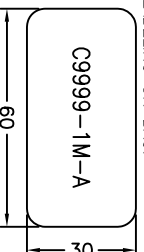
**APPROVAL: UL TYPE CL2 AS SPECIFIED IN ARTICLE 725 OF THE NATIONAL ELECTRICAL CODE.**

**2.CONNECTOR:**

**P1,P2: SFP+ MODULE**

- <1> HOOD: ZINC DIE CASTING, NICKEL PLATING.
- <2> LATCH: PC RESIN UL94V, COLOR IN BLACK.
- <3> P.C.B: 4 LAYERS, GOLD PLATING ON CONTACT PADS.(SPCB-040104DXBx)
- <4> **ACTIVE IC: INTERSIL ISL35111 AND ISL36111.**
- <5> SERIAL ID IC: AT24C02B or EQUIVALENT.
- <6> PULL TAB: NYLON UL94V-0 COLOR: WHITE.

**3.LABELING ON BAG:**



WIRING CHART			
P1 END	SIGNAL	P2 PAD	P2 END
12	RX-	19	TX-
13	RX+	18	TX+
GROUND		GROUND	
18	TX+	13	RX+
19	TX-	12	RX-
GROUND		GROUND	

DataStorageCables.com

DESC.	SFP+ 30AWG ACTIVE CABLE ASS'Y	APPROVED	CHECKED	DESIGNED	TOLERANCE	SCALE	*	UNIT	mm	DWG NO:	DWG RC\5147
P/N	C9999-1M-A	CUSTOMER P/N		Sino		DATE	02/08/12				