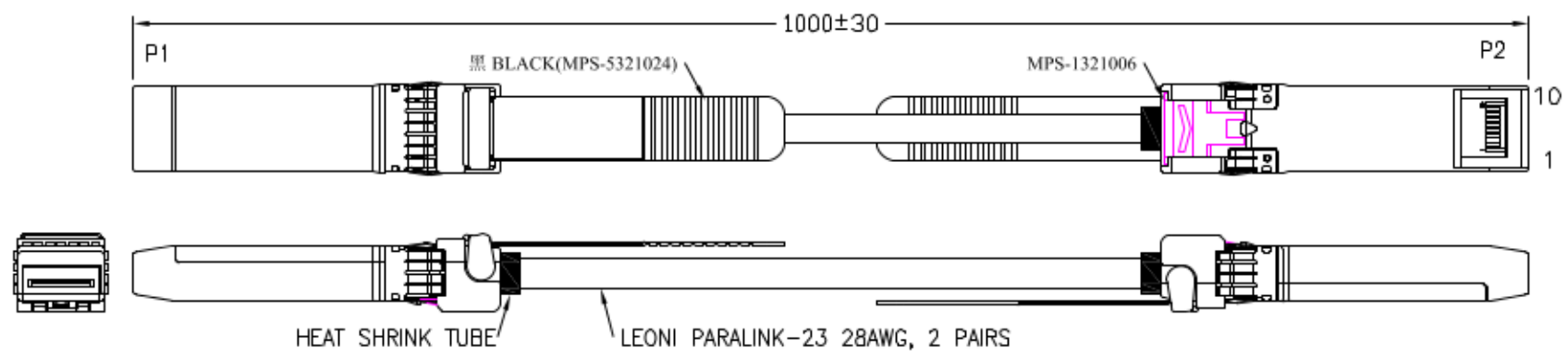


1	2	3	4	5	6	7	8	9
REV.	REMARK			DATE	SIGN.			

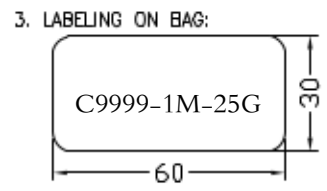
RoHS



MATERIAL RoHS COMPLIANT

1. CABLE:
 CONDUCTOR: 28AWG SOLID SILVER PLATED COPPER.
 INSULATION: SKIN-FOAM-SKIN
 PAIR: 2 WIRES, WH AND YE PARALLEL.
CORE: 2 PAIRS
 PAIR DRAIN WIRE: $\phi 0.2$ mm (32AWG) TINNED COPPER.
 PAIR SHIELD: ALUMINUM FOIL OVERLAPPED, APPLIED LONGITUDINALLY.
 INNER SHIELD: ALUMINUM FOIL OVERLAPPED, APPLIED LONGITUDINALLY.
 OUTER SHIELD: TINNED COPPER BRAID, 85% COVERAGE.
DIAMETER: 4.7 ± 0.3 mm
 PRINT LEGEND: "LEONI High Speed Cables ParaLink[®]-23
 100 Ω 2pairs AWG2B (shielded) (UL) E116441 CL2 75°C"
 DIFFERENTIAL IMPEDANCE: 100 ± 5 Ohm

2. CONNECTOR:
 P1&P2: SFP+ MODULE
 <1> HOOD: ZINC DIE CASTING, NICKEL PLATING. (MMT-03017121TF/B)
 <2> LATCH: PC RESIN UL94V, COLOR IN BLACK. (MPS-1321006)
 <3> P.C.B: 4 LAYERS, GOLD PLATING ON CONTACT PADS.
 <4> SERIAL ID IC: ATMEL 24C02B OR EQUIVALENT.
 <5> PULL TAB: NYLON UL94V-0, COLOR: BLACK. (MPS-5321024)



WIRING CHART			
P1 END		P2 END	
P1 PAD	SIGNAL	P2 PAD	SIGNAL
12	RX-	19	TX-
13	RX+	18	TX+
GROUND		GROUND	
18	TX+	13	RX+
19	TX-	12	RX-
GROUND		GROUND	

TMC - The Mate Company	DESC.	SFP28 PASSIVE CABLE ASS'Y			APPROVED	CHECKED	DESIGNED	TOLERANCE	SCALE	*	UNIT	mm	
	P/N	C9999-1M-25G	CUSTOMER P/N				Sino		DATE	11/02/'15	DWG NO:	DWG\RC\7594	

1	2	3	4	5	6	7	8	9
---	---	---	---	---	---	---	---	---