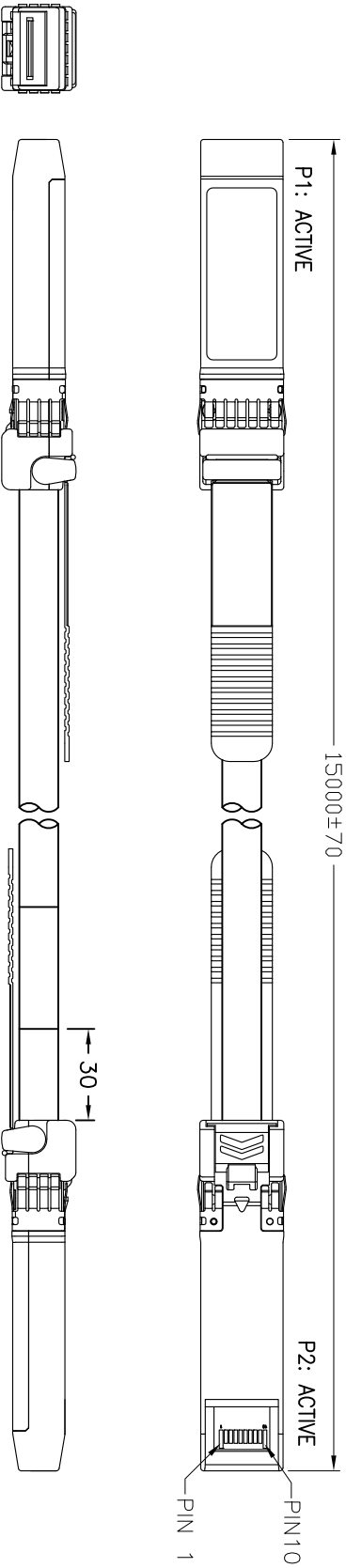
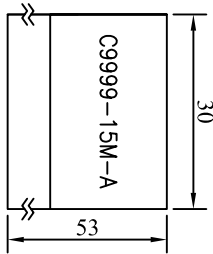


1	2	3	4	5	6	7	8	9
REV.	REMARK	DATE	SIGN.					

ROHS



MADISON 24AWG, 10G TurboTwin™
P/N:04KF2LF008



MATERIAL ROHS COMPLIANT:

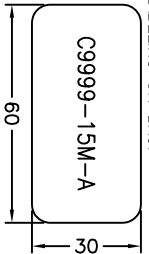
1.CABLE:
CONDUCTOR: 24 AWG SOLID SILVER PLATED COPPER.
INSULATION: FOAM POLYOLEFIN, COLOR - NATURAL.
PAIR: 2 SINGLES LAD FLAT AND PARALLEL.
CORE: 2 PAIRS
PAIR DRAIN: 26 AWG SOLID SILVER PLATED COPPER.
PAIR SHIELD: ALUMINUM/POLYESTER TAPE ALUMINUM SIDE FACING IN.
INNER SHIELD: ALUMINUM/POLYESTER/ALUMINUM TAPE, 25% OVERLAP.
OUTER SHIELD: 38 AWG TIN PLATED COPPER BRAID, 85% COVERAGE.
JACKET: XPBT, COLOR - BLACK.
DIAMETER: 6.477 MM
DIFFERENTIAL IMPEDANCE: 100 ± 5 OHM @TDR.

PRINTED LEGEND: *MADISON CABLE (UL) TYPE CL2 75C 24 AWG
CSA AWM II A/B 80C 30V FT4 TurboTwin™ 10G 101-6423 ROHS COMPLIANT {D/C}*
APPROVAL: UL TYPE CL2 AS SPECIFIED IN ARTICLE 725 OF THE NATIONAL ELECTRICAL CODE.

2.CONNECTOR:

- P1,P2: SFP+ MODULE
- <1> HOOD: ZINC DIE CASTING, NICKEL PLATING.
- <2> LATCH: PC RESIN UL94V, COLOR IN BLACK.
- <3> P.C.B: 4 LAYERS, GOLD PLATING ON CONTACT PADS.(SPCB-040104DXBx)
- <4> ACTIVE IC: INTERSIL ISL35111 AND ISL36111.
- <5> SERIAL ID IC: AT24C02B or EQUIVALENT.
- <6> PULL TAB: NYLON UL94V-0 COLOR: WHITE.

3.LABELING ON BAG:



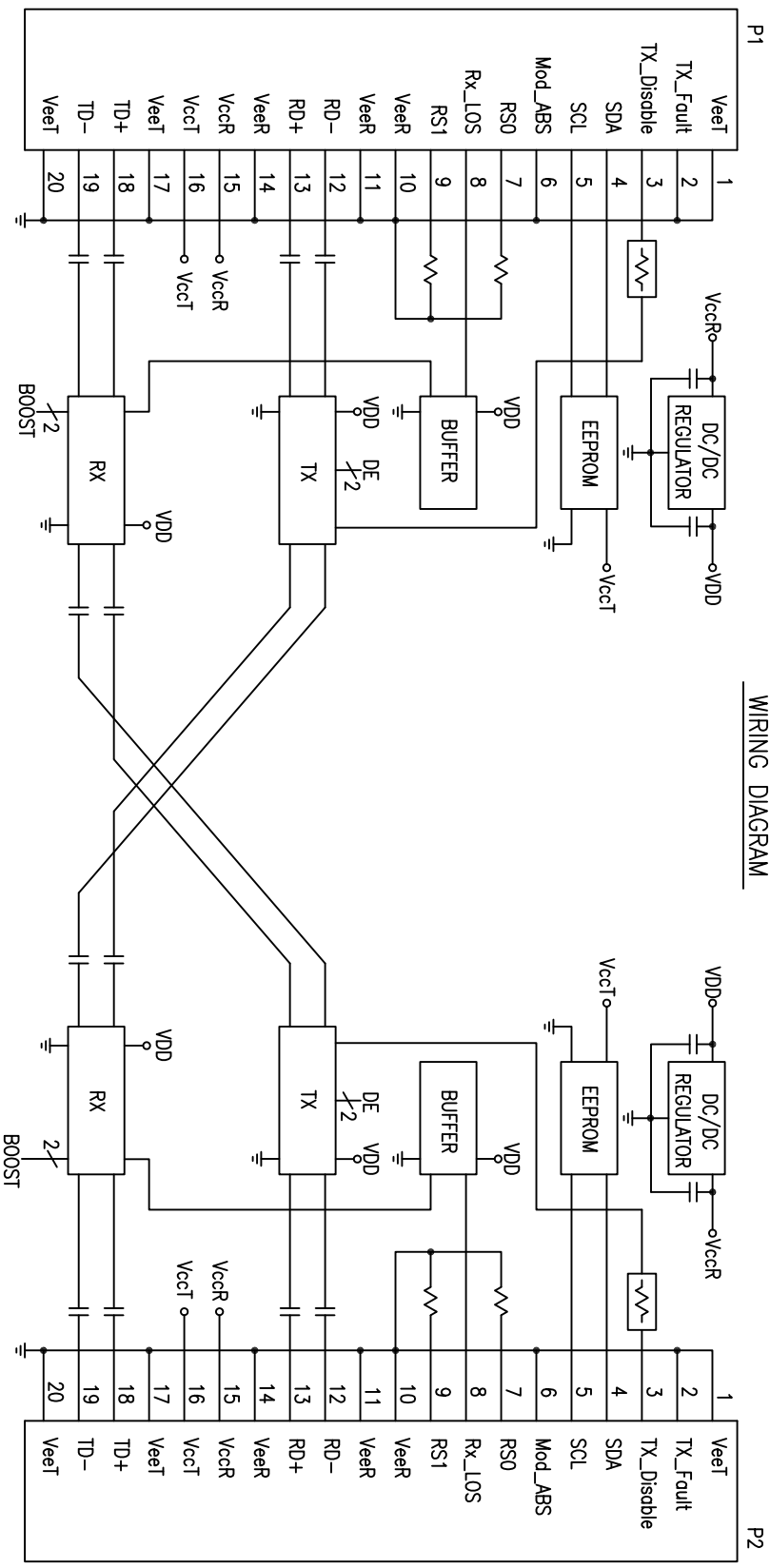
WIRING CHART			
P1 END	SIGNAL	P2 PAD	P2 END
12	RX-	19	TX-
13	RX+	18	TX+
GROUND		GROUND	
18	TX+	13	RX+
19	TX-	12	RX-
GROUND		GROUND	

DataStorageCables.com

DESC.	SFP+ 24AWG ACTIVE CABLE ASS'Y	APPROVED	CHECKED	DESIGNED	TOLERANCE	SCALE	*	UNIT	mm
P/N	C9999-15M-A	CUSTOMER P/N		Sino		DATE	02/08/12	DWG NO:	DWG\RC\5151

REV.	1	2	3	4	5	6	7	8	9
REMARK									
			DATE						
				SIGN.					

WIRING DIAGRAM



DataStorageCables.com

DESC.	SFP+ 24AWG ACTIVE CABLE ASS'Y	APPROVED	CHECKED	DESIGNED	TOLERANCE	SCALE	UNIT
P/N	C9999-15M-A			Justin	*	*	mm
	CUSTOMER P/N					DATE	DWG NO:
						02/08/'12	DWG\PC\5151