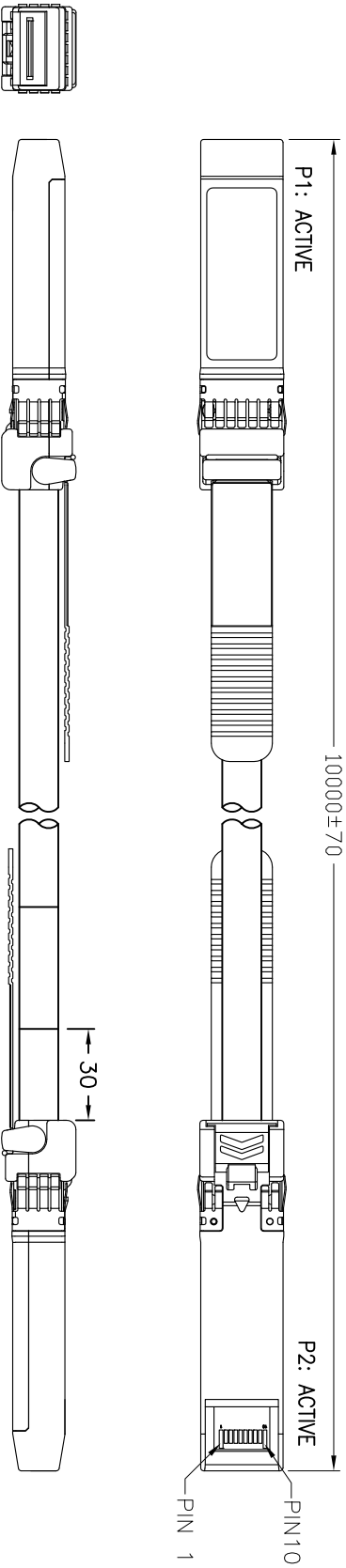
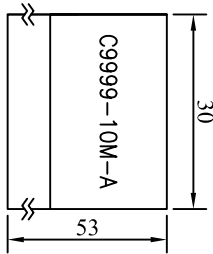


1	2	3	4	5	6	7	8	9
REV.	REMARK	DATE	SIGN.					

**ROHS**



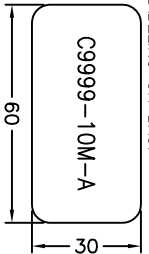
MADISON 24AWG, 10G TurboTwin™  
P/N:04KF2LF008



**MATERIAL ROHS COMPLIANT:**

- 1.CABLE:  
 CONDUCTOR: 24 AWG SOLID SILVER PLATED COPPER.  
 INSULATION: FOAM POLYOLEFIN, COLOR - NATURAL.  
 PAIR: 2 SINGLES LAD FLAT AND PARALLEL.  
 CORE: 2 PAIRS  
 PAIR DRAIN: 26 AWG SOLID SILVER PLATED COPPER.  
 PAIR SHIELD: ALUMINUM/POLYESTER TAPE ALUMINUM SIDE FACING IN.  
 INNER SHIELD: ALUMINUM/POLYESTER/ALUMINUM TAPE, 25% OVERLAP.  
 OUTER SHIELD: 38 AWG TIN PLATED COPPER BRAID, 85% COVERAGE.  
 JACKET: XPBT, COLOR - BLACK.  
 DIAMETER: 6.477 MM  
 DIFFERENTIAL IMPEDANCE: 100 ± 5 OHM @TDR.  
**PRINTED LEGEND: \*MADISON CABLE (UL) TYPE CL2 75C 24 AWG**  
**CSA AWM II A/B 80C 30V FT4 TurboTwin™ 10G 101-6423 ROHS COMPLIANT {d/c}\***  
 APPROVAL: UL TYPE CL2 AS SPECIFIED IN ARTICLE 725 OF THE NATIONAL ELECTRICAL CODE.
- 2.CONNECTOR:  
 P1,P2: SFP+ MODULE  
 <1> HOOD: ZINC DIE CASTING, NICKEL PLATING.  
 <2> LATCH: PC RESIN UL94V, COLOR IN BLACK.  
 <3> P.C.B: 4 LAYERS, GOLD PLATING ON CONTACT PADS.(SPCB-040104DXBx)  
 <4> ACTIVE IC: INTERSIL ISL35111 AND ISL36111.  
 <5> SERIAL ID IC: AT24C02B or EQUIVALENT.  
 <6> PULL TAB: NYLON UL94V-0 COLOR: WHITE.

**3.LABELING ON BAG:**



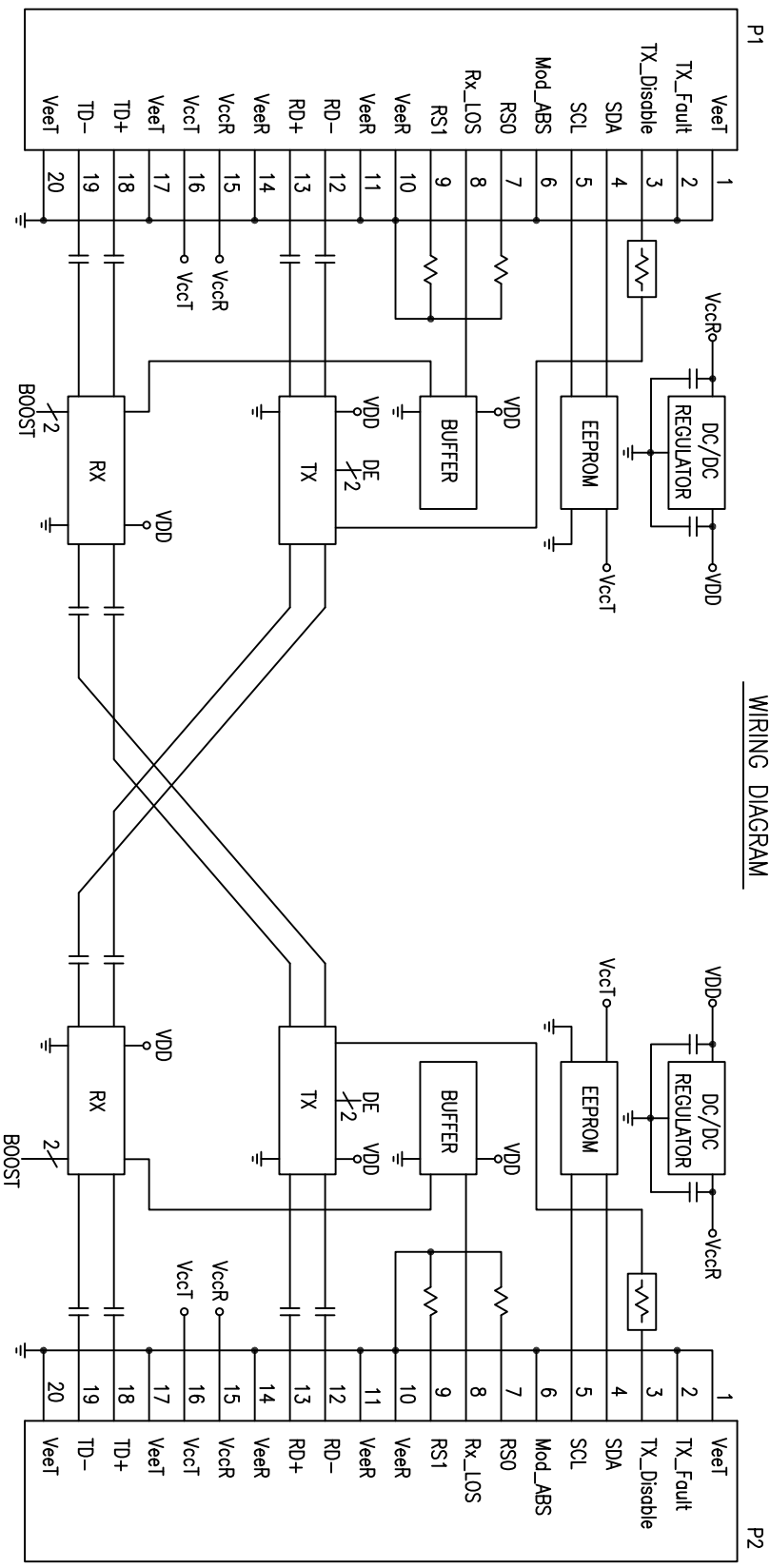
WIRING CHART			
P1 END	SIGNAL	P2 PAD	P2 END
12	RX-	19	TX-
13	RX+	18	TX+
GROUND		GROUND	
18	TX+	13	RX+
19	TX-	12	RX-
GROUND		GROUND	

DataStorageCables.com

DESC.	SFP+ 24AWG ACTIVE CABLE ASS'Y	APPROVED	CHECKED	DESIGNED	TOLERANCE	SCALE	*	UNIT	mm
P/N	C9999-10M-A	CUSTOMER P/N		Sino		DATE	02/08/12	DWG NO:	DWG\RC\5151

REV.	1	2	3	4	5	6	7	8	9
REMARK									
			DATE						
				SIGN.					

WIRING DIAGRAM



DataStorageCables.com

DESC.	SFP+ 24AWG ACTIVE CABLE ASS'Y	APPROVED	CHECKED	DESIGNED	TOLERANCE	SCALE	UNIT
P/N	C9999-10M-A			Justin	*	*	mm
	CUSTOMER P/N					DATE	DWG NO:
						02/08/'12	DWG\PC\5151