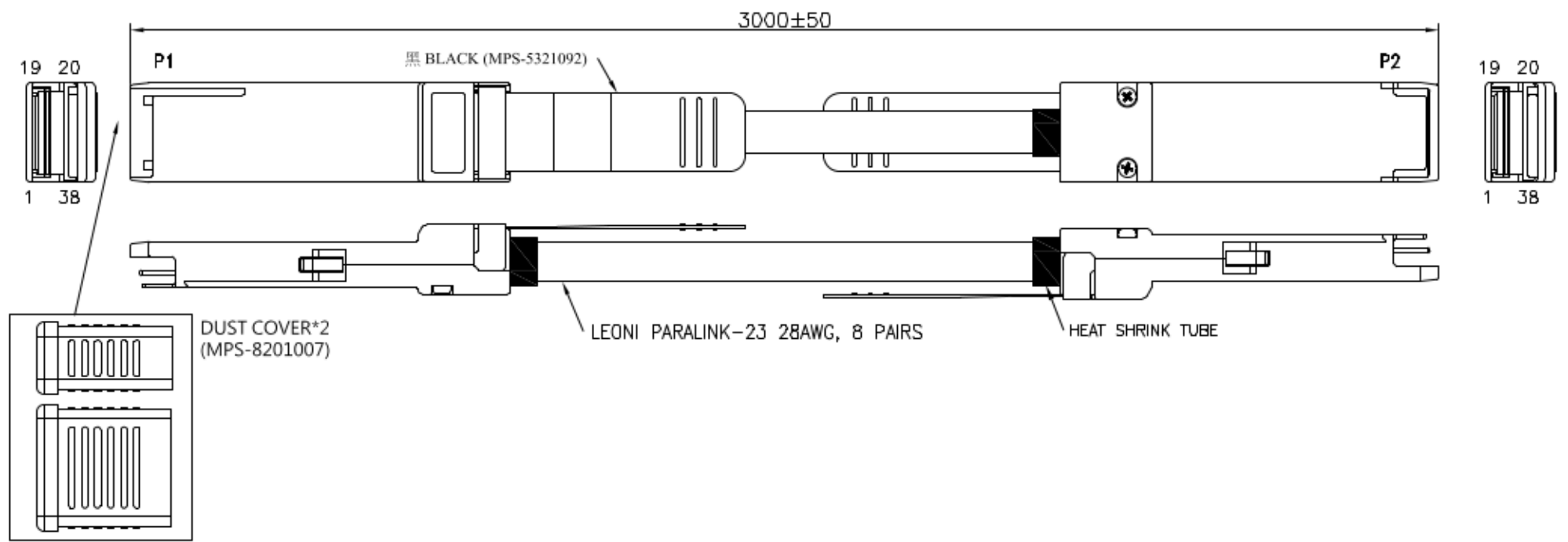


1	2	3	4	5	6	7	8	9
REV.	REMARK	DATE	SIGN.					

RoHS



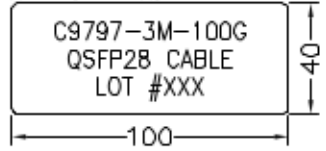
**MATERIAL ROHS COMPLIANT:**

1.CABLE:  
 CONDUCTOR: 28AWG SOLID SILVER PLATED COPPER.  
 INSULATION: SKIN-FOAM-SKIN  
 PAIR: 2 WIRES, WH AND YE PARALLEL.  
 CORE: 8 PAIRS  
 PAIR DRAIN WIRE:  $\phi 0.2$  mm (32AWG) TINNED COPPER.  
 PAIR SHIELD: ALUMINUM FOIL OVERLAPPED, APPLIED LONGITUDINALLY.  
 INNER SHIELD: ALUMINUM FOIL OVERLAPPED, APPLIED LONGITUDINALLY.  
 OUTER SHIELD: TINNED COPPER BRAID, 85% COVERAGE.  
 DIAMETER:  $7.4 \pm 0.3$  mm  
 PRINT LEGEND: "LEONI High Speed Cables ParaLink®-23  
 100Ω Bpairs 28AWG (shielded) (UL) E116441 CL2 75°C"  
 DIFFERENTIAL IMPEDANCE:  $100 \pm 5$  OHM.

2.CONNECTOR:

P1,P2: 4x-Pluggable-QSFP28  
 (1) P.C.B: 4 LAYERS, GOLD PLATING ON CONTACT PADS.(SPCB-040134A, AC Coupling)  
 (2) LATCH: STAINLESS STEEL WITH PULL TAB, COLOR: BLACK.(MPS-5321092)  
 (3) BACKSHELL: ZINC DIE CASTING HOOD/ NICKEL PLATING.  
 3.FOR 100GBASE-CR4 USE  
 4.TWO-WIRE SERIAL MEMORY: ATMEL AT24C02B EEPROM(256 BYTES),  
 DIGITAL MONITORING, CONTROL FUNCTION AND MEMORY PAGE NOT SUPPORTED.

5.LABELING ON BAG:



TMC - The Mate Company

DESC.	QSFP28 Passive Cable Assembly	APPROVED	CHECKED	DESIGNED	TOLERANCE	SCALE	*	UNIT	mm	
P/N	C9797-3M-100G			Sino		DATE	05/17/16	DWG NO:	DWG\RC\7823	

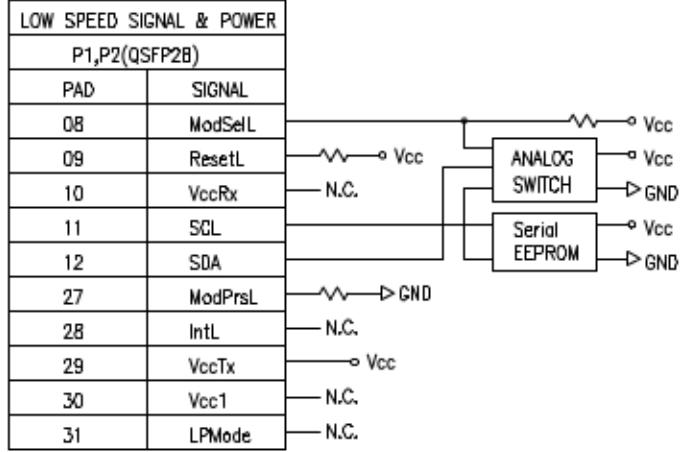
1	2	3	4	5	6	7	8	9
---	---	---	---	---	---	---	---	---

1	2	3	4	5	6	7	8	9
REV.	REMARK	DATE	SIGN.					

**WIRING DIAGRAM**

HIGH SPEED SIGNAL				
P1(QSFP28)			P2(QSFP28)	
PAD	SIGNAL		PAD	SIGNAL
02	TX2n	-H	21	RX2n
03	TX2p	-H	22	RX2p
05	TX4n	-H	24	RX4n
06	TX4p	-H	25	RX4p
14	RX3p	-H	33	TX3p
15	RX3n	-H	34	TX3n
17	RX1p	-H	36	TX1p
18	RX1n	-H	37	TX1n
21	RX2n	-H	02	TX2n
22	RX2p	-H	03	TX2p
24	RX4n	-H	05	TX4n
25	RX4p	-H	06	TX4p
33	TX3p	-H	14	RX3p
34	TX3n	-H	15	RX3n
36	TX1p	-H	17	RX1p
37	TX1n	-H	18	RX1n
GND GROUP	GND		GND GROUP	GND
GND GROUP 01,04,07,13,16,19 20,23,26,32,35,38			GND GROUP 01,04,07,13,16,19 20,23,26,32,36,38	
CONNECTOR SHELL			CONNECTOR SHELL	

\*DC BLOCKING CAPS ON P1,P2 RX END.



TMC- The Mate Company

DESC.	QSFP28 Passive Cable Assembly	APPROVED	CHECKED	DESIGNED	TOLERANCE	SCALE	*	UNIT	mm	
P/N	C9797-3M-100G			Sino		DATE	05/17/16	DWG NO:	DWG\RC\7823	

1	2	3	4	5	6	7	8	9
---	---	---	---	---	---	---	---	---