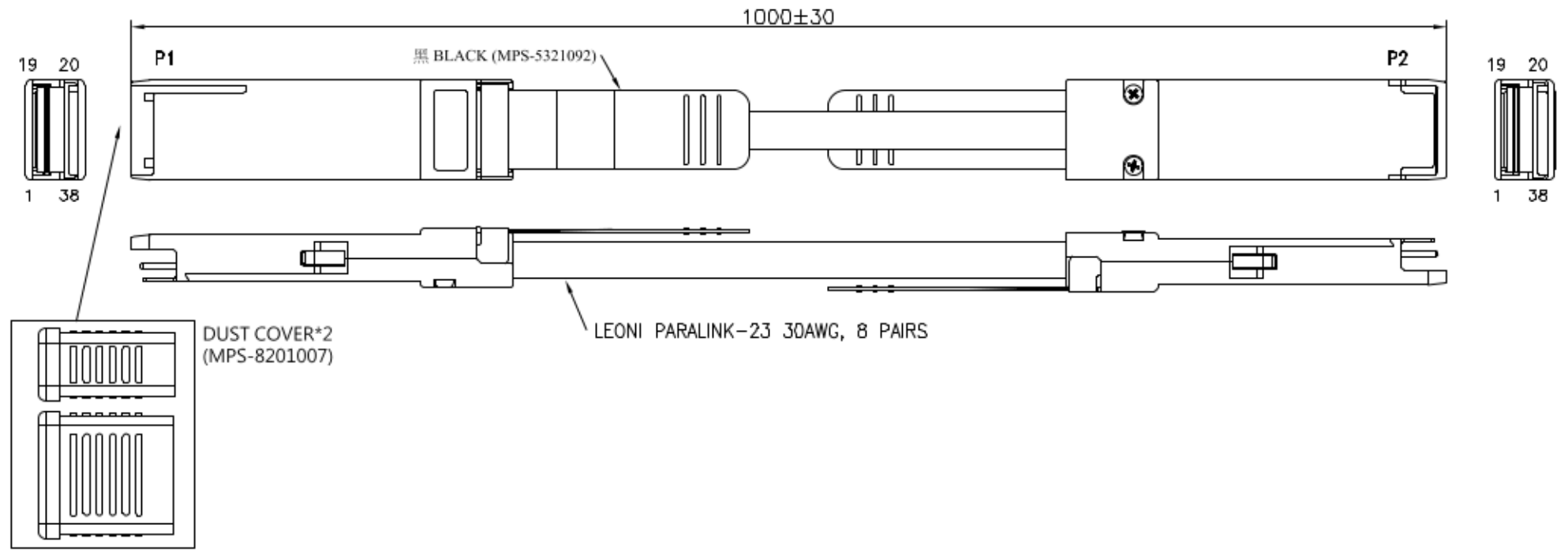


1	2	3	4	5	6	7	8	9
REV.	REMARK	DATE	SIGN.					

RoHS



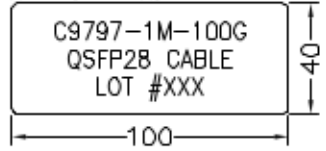
**MATERIAL ROHS COMPLIANT:**

1.CABLE:  
 CONDUCTOR: 30AWG SOLID SILVER PLATED COPPER.  
 INSULATION: SKIN-FOAM-SKIN  
 PAIR: 2 WIRES, WH AND YE PARALLEL.  
 CORE: 8 PAIRS  
 PAIR DRAIN WIRE:  $\phi 0.2$  mm (32AWG) TINNED COPPER.  
 PAIR SHIELD: ALUMINUM FOIL OVERLAPPED, APPLIED LONGITUDINALLY.  
 INNER SHIELD: ALUMINUM FOIL OVERLAPPED, APPLIED LONGITUDINALLY.  
 OUTER SHIELD: TINNED COPPER BRAID, 85% COVERAGE.  
 DIAMETER:  $6.9 \pm 0.3$  mm  
 PRINT LEGEND: \*LEONI High Speed Cables ParaLink®-23  
 100 $\Omega$  8pairs 30AWG (shielded) (UL) E118441 CL2 75°C  
 DIFFERENTIAL IMPEDANCE: 100 $\pm 5$  OHM.

2.CONNECTOR:

P1,P2: 4x-Pluggable-QSFP28  
 (1) P.C.B: 4 LAYERS, GOLD PLATING ON CONTACT PADS.(SPCB-040138A, AC Coupling)  
 (2) LATCH: STAINLESS STEEL WITH PULL TAB, COLOR: BLACK.(MPS-5321092)  
 (3) BACKSHELL: ZINC DIE CASTING HOOD/ NICKEL PLATING.  
 3.FOR 100GBASE-CR4 USE  
 4.TWO-WIRE SERIAL MEMORY: ATMEL AT24C02B EEPROM(256 BYTES),  
 DIGITAL MONITORING, CONTROL FUNCTION AND MEMORY PAGE NOT SUPPORTED.

5.LABELING ON BAG:



TMC - The Mate Company

DESC.	QSFP28 Passive Cable Assembly	APPROVED	CHECKED	DESIGNED	TOLERANCE	SCALE	*	UNIT	mm	
P/N	C9797-1M-100G	CUSTOMER P/N		Sino		DATE	05/17/16	DWG NO:	DWG\RC\7821	

1	2	3	4	5	6	7	8	9
---	---	---	---	---	---	---	---	---

REV.	REMARK	DATE	SIGN.

### WIRING DIAGRAM

HIGH SPEED SIGNAL				
P1(QSFP28)			P2(QSFP28)	
PAD	SIGNAL		PAD	SIGNAL
02	TX2n	— H	21	RX2n
03	TX2p	— H	22	RX2p
05	TX4n	— H	24	RX4n
06	TX4p	— H	25	RX4p
14	RX3p	H—	33	TX3p
15	RX3n	H—	34	TX3n
17	RX1p	H—	36	TX1p
18	RX1n	H—	37	TX1n
21	RX2n	H—	02	TX2n
22	RX2p	H—	03	TX2p
24	RX4n	H—	05	TX4n
25	RX4p	H—	06	TX4p
33	TX3p	— H	14	RX3p
34	TX3n	— H	15	RX3n
36	TX1p	— H	17	RX1p
37	TX1n	— H	18	RX1n
GND GROUP	GND		GND GROUP	GND
GND GROUP 01,04,07,13,16,19 20,23,26,32,35,38			GND GROUP 01,04,07,13,16,19 20,23,26,32,36,38	
CONNECTOR SHELL			CONNECTOR SHELL	

\*DC BLOCKING CAPS ON P1,P2 RX END.

LOW SPEED SIGNAL & POWER			
PAD	SIGNAL		
08	ModSelL	—	Vcc
09	ResetL	—	Vcc
10	VccRx	—	N.C.
11	SGL	—	
12	SDA	—	
27	ModPrsL	—	GND
28	IntL	—	N.C.
29	VccTx	—	Vcc
30	Vcc1	—	N.C.
31	LPMMode	—	N.C.

TMC - The Mate Company

DESC.	QSFP28 Passive Cable Assembly	APPROVED	CHECKED	DESIGNED	TOLERANCE	SCALE	*	UNIT	mm	
P/N	C9797-1M-100G			Sino		DATE	05/17/16	DWG NO:	DWG\RC\7821	