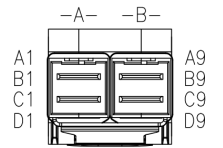
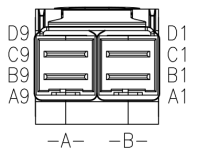
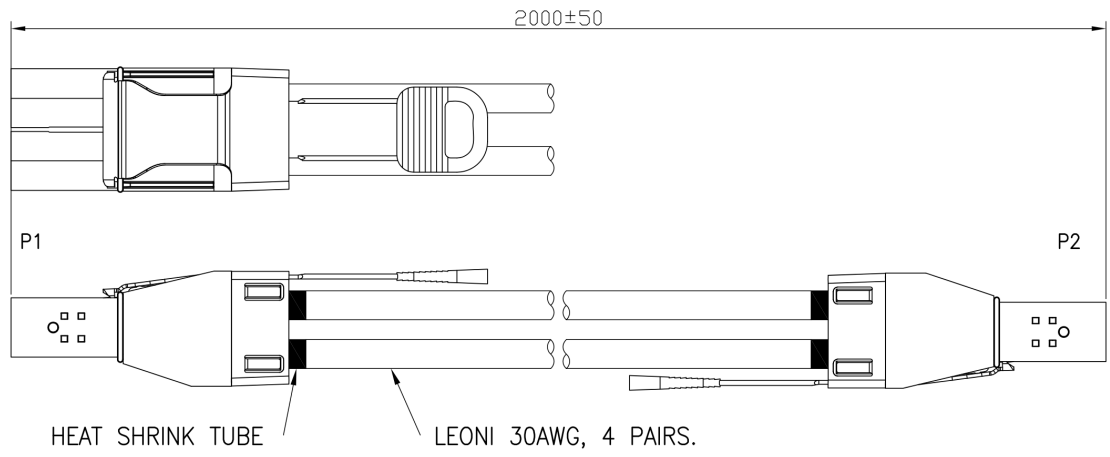


	1	2	3	4	5	6	7	8	9
--	---	---	---	---	---	---	---	---	---

REV.	REMARK	DATE	SIGN.

RoHS



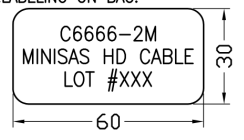
**MATERIAL RoHS COMPLIANT:**

**1.CABLE:**  
 CONDUCTOR: 30 AWG SOLID SILVER PLATED COPPER.  
 INSULATION: SKIN-FOAM-SKIN  
 PAIR: 2 WIRES, WH AND YE PARALLEL.  
 CORE: 4 PAIRS  
 PAIR DRAIN WIRE:  $\phi 0.2$  mm (32AWG) TINNED COPPER.  
 PAIR SHIELD: ALUMINUM FOIL OVERLAPPED, ALU INSIDE.  
 INNER SHIELD: ALUMINUM FOIL OVERLAPPED, APPLIED LONGITUDINALLY.  
 OUTER SHIELD: 38 AWG TINNED COPPER BRAID, 85% COVERAGE.  
 DIAMETER:  $5.1 \pm 0.2$  mm  
 PRINT LEGEND: "LEONI High Speed Cables ParaLink®-11  
 100 $\Omega$  4pairs 30AWG (shielded) (UL) E116441 CL2 75°C"  
 DIFFERENTIAL IMPEDANCE:  $100 \pm 5$  OHM.

**2.CONNECTOR:**

P1,P2: Mini SAS HD 8x CABLE PLUG (SFF-8644)  
 (1) P.C.B: 6 LAYERS, GOLD PLATING ON CONTACT PADS.  
 (2) LATCH: STAINLESS STEEL  
 (3) BACKSHELL: ZINC DIE CASTING HOOD/ NICKEL PLATING  
 (4) PULL TAB: NYLON UL94V-0, COLOR: BLUE.  
 (5) EMI GASKET.  
 3.FOR SAS 6.0 Gbps.  
 4.TWO-WIRED SERIAL MEMORY: ATMEL AT24C02B EEPROM (256 BYTES).

**5.LABELING ON BAG:**



**DATA STORAGE CABLES**

DESC.	Mini SAS HD 8x/Mini SAS HD 8x CABLE ASS'Y		APPROVED	CHECKED	DESIGNED	TOLERANCE	SCALE	*	UNIT	mm	
P/N	C6666-2M	CUSTOMER P/N						DATE	01/22/'13	DWG NO: DWG\RC\5962	

1	2	3	4	5	6	7	8	9
---	---	---	---	---	---	---	---	---