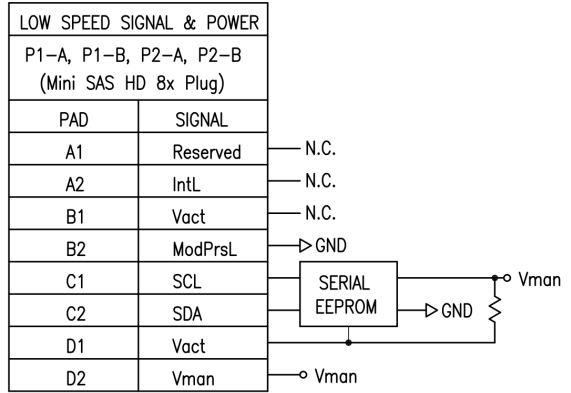


REV.	REMARK	DATE	SIGN.
------	--------	------	-------

WIRING DIAGRAM

HIGH SPEED SIGNAL			
P1-A(Mini SAS HD 8x Plug)		P2-B(Mini SAS HD 8x Plug)	
PAD	SIGNAL	PAD	SIGNAL
A4	RX1+	C4	TX1+
A5	RX1-	C5	TX1-
A7	RX3+	C7	TX3+
A8	RX3-	C8	TX3-
B4	RX0+	D4	TX0+
B5	RX0-	D5	TX0-
B7	RX2+	D7	TX2+
B8	RX2-	D8	TX2-
C4	TX1+	A4	RX1+
C5	TX1-	A5	RX1-
C7	TX3+	A7	RX3+
C8	TX3-	A8	RX3-
D4	TX0+	B4	RX0+
D5	TX0-	B5	RX0-
D7	TX2+	B7	RX2+
D8	TX2-	B8	RX2-
GND GROUP	GND	GND GROUP	GND
GND GROUP 1: P1A-A3,A6,A9,B3,B6,B9, P2B-C3,C6,C9,D3,D6,D9			
GND GROUP 2: P1A-C3,C6,C9,D3,D6,D9, P2B-A3,A6,A9,B3,B6,B9			
Connector Shell		Connector Shell	

HIGH SPEED SIGNAL			
P1-B(Mini SAS HD 8x Plug)		P2-A(Mini SAS HD 8x Plug)	
PAD	SIGNAL	PAD	SIGNAL
A4	RX1+	C4	TX1+
A5	RX1-	C5	TX1-
A7	RX3+	C7	TX3+
A8	RX3-	C8	TX3-
B4	RX0+	D4	TX0+
B5	RX0-	D5	TX0-
B7	RX2+	D7	TX2+
B8	RX2-	D8	TX2-
C4	TX1+	A4	RX1+
C5	TX1-	A5	RX1-
C7	TX3+	A7	RX3+
C8	TX3-	A8	RX3-
D4	TX0+	B4	RX0+
D5	TX0-	B5	RX0-
D7	TX2+	B7	RX2+
D8	TX2-	B8	RX2-
GND GROUP	GND	GND GROUP	GND
GND GROUP 1: P1B-A3,A6,A9,B3,B6,B9, P2A-C3,C6,C9,D3,D6,D9			
GND GROUP 2: P1B-C3,C6,C9,D3,D6,D9, P2A-A3,A6,A9,B3,B6,B9			
Connector Shell		Connector Shell	



DATA STORAGE CABLES	DESC.	Mini SAS HD 8x/Mini SAS HD 8x CABLE ASS'Y		APPROVED	CHECKED	DESIGNED	TOLERANCE	SCALE	*	UNIT	mm	⌀
	P/N	C6666-2M	CUSTOMER P/N				*	DATE	01/21/'13	DWG NO:	DWG\RC\5962	

1 2 3 4 5 6 7 8 9