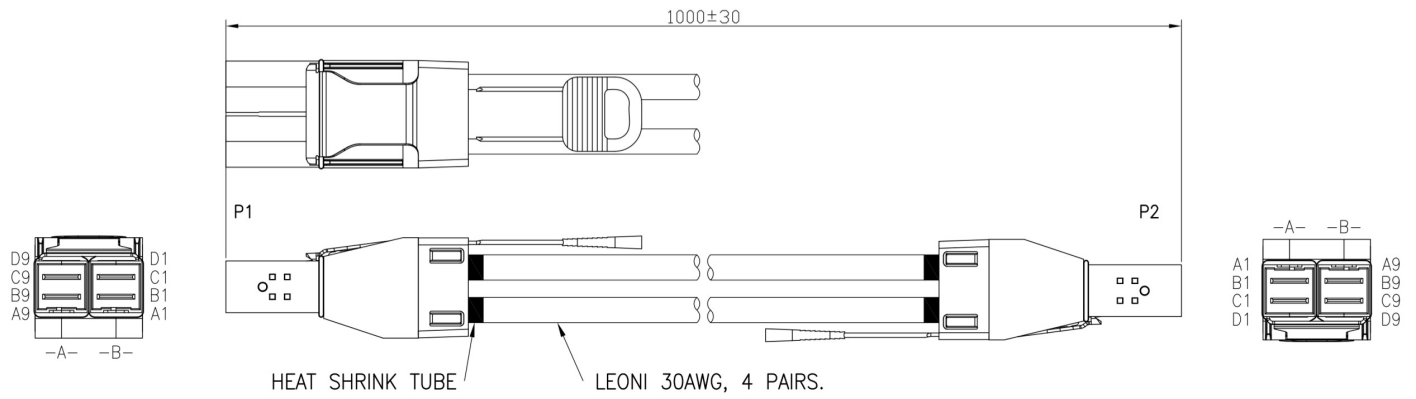


1	2	3	4	5	6	7	8	9
REV.	REMARK	DATE	SIGN.					

RoHS



MATERIAL RoHS COMPLIANT:

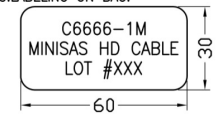
1.CABLE:

CONDUCTOR: 30 AWG SOLID SILVER PLATED COPPER.
 INSULATION: SKIN-FOAM-SKIN
 PAIR: 2 WIRES; WH AND YE PARALLEL.
 CORE: 4 PAIRS
 PAIR DRAIN WIRE: $\phi 0.2$ mm (32AWG) TINNED COPPER.
 PAIR SHIELD: ALUMINUM FOIL OVERLAPPED, ALU INSIDE.
 INNER SHIELD: ALUMINUM FOIL OVERLAPPED, APPLIED LONGITUDINALLY.
 OUTER SHIELD: 38 AWG TINNED COPPER BRAID, 85% COVERAGE.
 DIAMETER: 5.1 ± 0.2 mm
 PRINT LEGEND: "LEONI High Speed Cables ParaLink®-11
 1000 4pairs 30AWG (shielded) (UL) E116441 CL2 75°C"
 DIFFERENTIAL IMPEDANCE: 100±5 OHM.

2.CONNECTOR:

P1,P2: Mini SAS HD 8x CABLE PLUG (SFF-8644)
 (1) P.C.B: 6 LAYERS, GOLD PLATING ON CONTACT PADS.
 (2) LATCH: STAINLESS STEEL
 (3) BACKSHELL: ZINC DIE CASTING HOOD/ NICKEL PLATING
 (4) PULL TAB: NYLON UL94V-0, COLOR: BLUE.
 (5) EMI GASKET.
 3.FOR SAS 6.0 Gbps.
 4.TWO-WIRED SERIAL MEMORY: ATMEL AT24C02B EEPROM (256 BYTES).

5.LABELING ON BAG:



DATA STORAGE CABLES	DESC.	Mini SAS HD 8x/Mini SAS HD 8x CABLE ASS'Y	APPROVED	CHECKED	DESIGNED	TOLERANCE	SCALE	*	UNIT	mm	
	P/N	C6666-1M	CUSTOMER P/N				DATE	01/22/'13	DWG NO:	DWG\RC\5961	