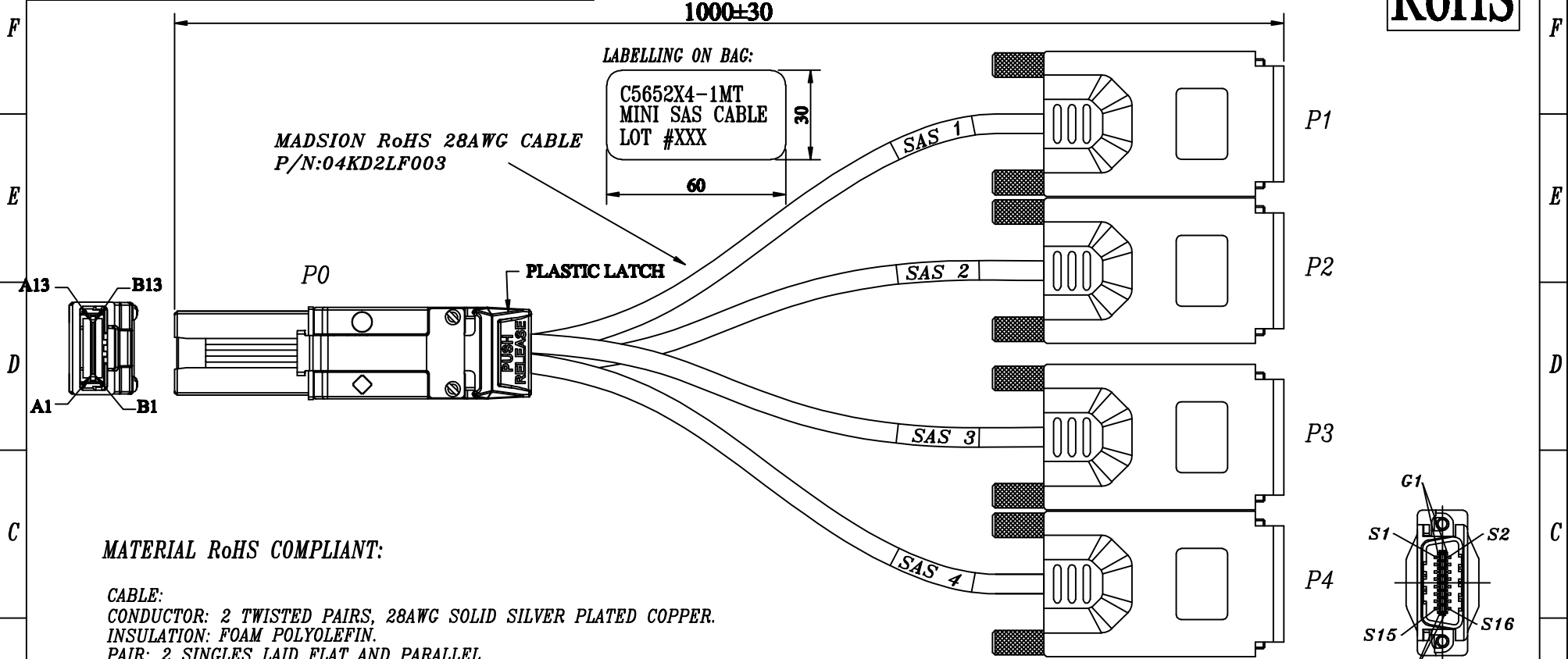


1	2	3	4	5	6	7	8	9
REV.	REMARK	DATE	SIGN.					

RoHS



MATERIAL RoHS COMPLIANT:

CABLE:
CONDUCTOR: 2 TWISTED PAIRS, 28AWG SOLID SILVER PLATED COPPER.
INSULATION: FOAM POLYOLEFIN.
PAIR: 2 SINGLES LAID FLAT AND PARALLEL.
PAIR DRAIN WIRE: 30AWG SOLID SILVER PLATED COPPER.
PAIR SHIELD: ALUMINUM/POLYESTER TAPE. ALUMINUM SIDE FACING IN, 25% OVERLAP.
INNER SHIELD: ALUMINUM/POLYESTER TAPE, ALUMINUM SIDE PACING OUT, 25% OVERLAP.
OUTER SHIELD: 38AWG TIN PLATED COPPER BRAID, 85% COVERAGE.
DIAMETER: $\phi 4.7$ mm NOMINAL. COLOR: BLACK.
PRINT LEGEND: "MADISON CABLE CORP.TYPE CL2 75°C 28AWG (UL) TurboTwin™"
DIFFERENTIAL IMPEDANCE: 100±5 OHMS @TDR
UL LISTING: TYPE CL2 AS SPECIFIED IN ARTICLE 725 OF THE NATIONAL ELECTRICAL CODE. TURBO TWIN™

CONNECTOR:
P0:Mini SAS 4X CABLE PLUG - 26CKT CONNECTOR (SFF-8088)
 (1) P.C.B: FR4, 4 LAYERS
 (2) LATCH: STAINLESS STEEL
 (3) BACKSHELL- ZINC DIE CASTING HOOD/ NICKEL PLATING
 (4) WITH EXTERNAL UNIVERSAL KEY
P1~P4:SAS 4X CABLE PLUG THUMBSCREWS TYPE CONNECTOR: (SFF-8470)
 (1) P.C.B: FR4, 4 LAYERS
 (2)BACKSHELL- ZINC DIE CAST/ NICKEL PLATING
 (3)CONTACTS- 30u" INCHES GOLD PLATING

DataStorageCables.com	DESC.	Mini SAS 4X to SAS 4X *4 Cable Assembly		APPROVED	CHECKED	DESIGNED	TOLERANCE	SCALE	1 = 1	UNIT	mm	
	P/N	C5652X4-1MT	CUSTOMER P/N	C5652X4-1MT					DATE	03/12/08	DWG NO:	

1	2	3	4	5	6	7	8	9			
REV.	REMARK	DATE	SIGN.								
WIRING DIAGRAM											
Mini SAS 4x			SAS 4x								
plug	PIN	SIGNAL	plug	PIN	SIGNAL						
P0	B2	TX0+	P1	S1	RX0+						
	B3	TX0-		S2	RX0-						
	A3	RX0-		S15	TX0-						
	A2	RX0+		S16	TX0+						
	B5	TX1+		P2	S1	RX0+					
	B6	TX1-			S2	RX0-					
	A6	RX1-	S15		TX0-						
	A5	RX1+	S16		TX0+						
	B8	TX2+	P3		S1	RX0+					
	B9	TX2-			S2	RX0-					
	A9	RX2-		S15	TX0-						
	A8	RX2+		S16	TX0+						
B11	TX3+	P4		S1	RX0+						
B12	TX3-			S2	RX0-						
A12	RX3-		S15	TX0-							
A11	RX3+		S16	TX0+							
GND GROUP			GND GROUP(P1,P2,P3,P4)								
A1,A4,A7,A10,A13 B1,B4,B7,B10,B13			G1-G9								
SHELL			SHELL (P1,P2,P3,P4)								
<i>DataStorageCables.com</i>		DESC.	Mini SAS 4X to SAS 4X *4 Cable Assembly		APPROVED	CHECKED	DESIGNED	TOLERANCE	SCALE 1 = 1	UNIT mm	
	P/N	C5652X4-1MT	CUSTOMER P/N	C5652X4-1MT			SHIU		DATE 03/12/08	DWG NO:	DWG/RC/2765
1	2	3	4	5	6	7	8	9			