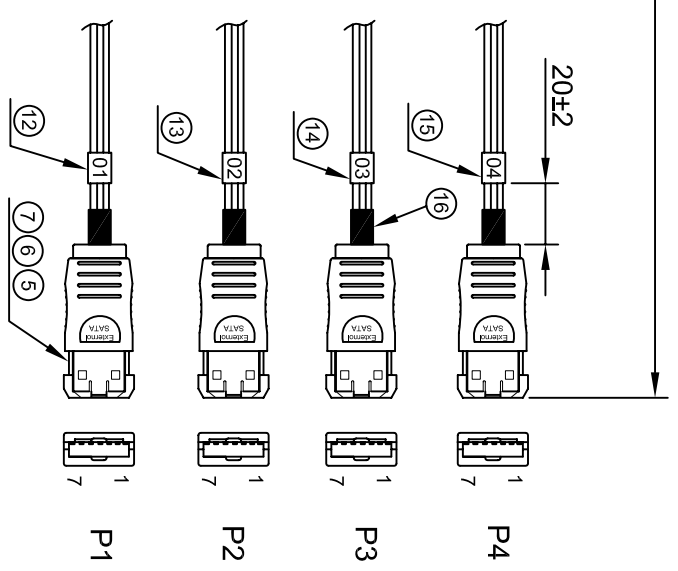
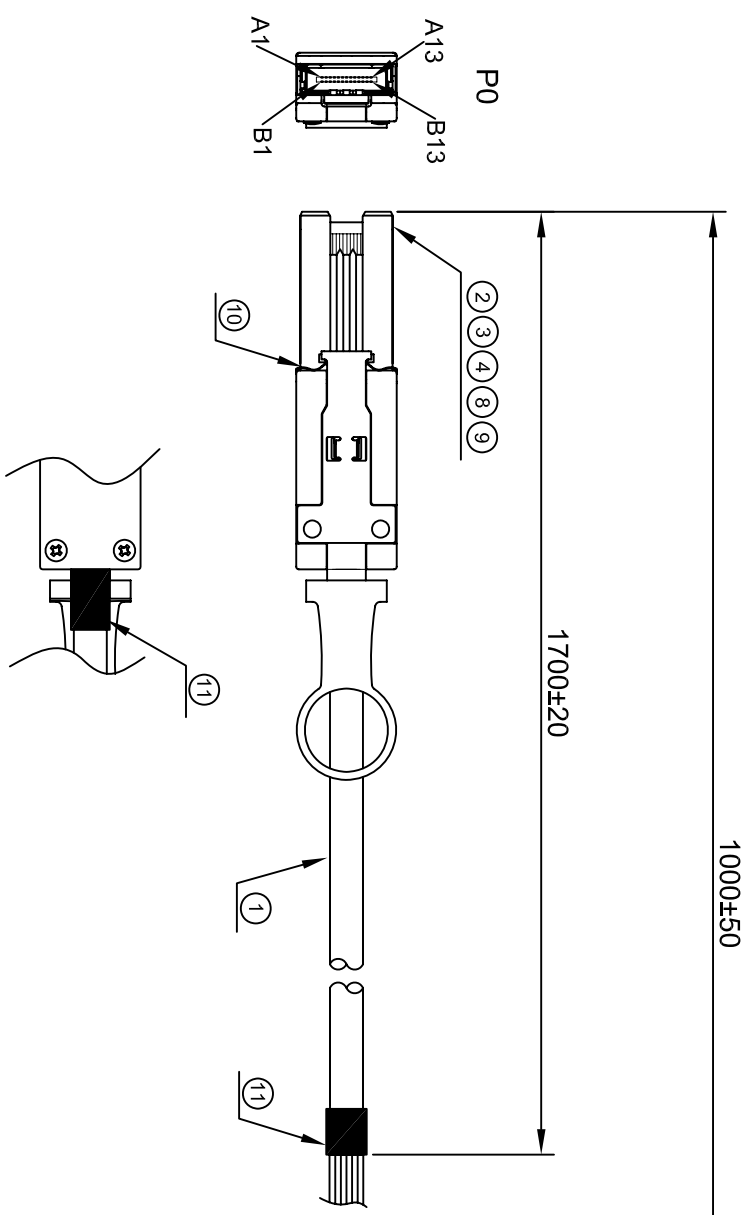


CUSTOMER DRAWING

REVISIONS			
LTR/EGR NO.	DESCRIPTION	DATE	APPROVED
A	Initial Release for Manufacture	OCT18.07	Jerry
B	Add Label	Dec.29.07	Jerry

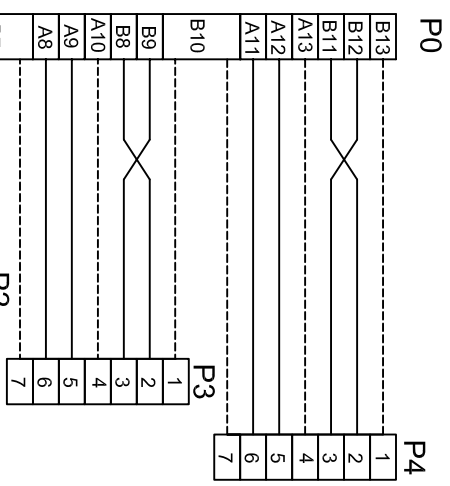


TECHNICAL AND TOLERANCES ARE TO BE INDICATED IN MILLIMETERS UNLESS OTHERWISE SPECIFIED. DECIMALS ANGLES .XX ± .001 1.5° DIMENSION IN BRACKET [XX.X] ARE IN INCHES TOLERANCES ARE: .XXX ± .001 .XXX #		APPROVALS DRAWN CHECKED APPROVAL:	DATE
DataStorageCables.com EXT. MINI SAS 26P TO 4X E-SATA 7P/F CABLE ASS'Y L=3M		SIZE: C SCALE: XX : XX DRAWING NO. C5647E-1MC REV. B	SHEET 1 OF 2

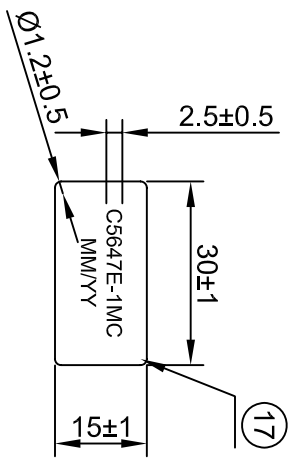
CUSTOMER DRAWING

REVISIONS		DATE	APPROVED
LTR	EGR.NO.	DESCRIPTION	
A	96043	Initial Release for Manufacture	OCT.18.07 Jemy
B		Add Label	Dec.29.07 Jemy

PIN ASSIGNMENT



- TEST:
- 1.OPEN / SHORT 100% TEST.
 - 2.CONTACT RESISTANCE : 1.5Ω(MAX).
 3. INSULATION RESISTANCE : 50MΩ (MIN).
 - 4.HI-POT : DC 300V /0.01S.



NO.	PART NO.	DESCRIPTION	QTY	UNIT
*	4-18-0005-463015	CARTON 46*30*15cm	1/30	PCS
*	4-14-0022-342851	PE BAG 34**28**0.08mm	1/30	PCS
*	4-14-0014-060851	PE BAG 7**10**0.06mm	1	PCS
*	4-16-0005-100010	TIE WHITE	120	mm
*	4-20-0020-000001	RUBBER BAND	1	PCS
*	4-14-0019-708051	ARI BAG 70*80mm	1	PCS
17	4-22-0059-381951	LABEL:"C5647E-3M"FOR PE BAG "MM":MONTH "YY":YEAR	1	PCS
16	4-15-0005-200201	TUBE OD:3.0mm BK	15*4	mm
15	4-20-0052-100504	LABEL "04" TRANSLUCENT BOTTOM BLACK WORD	1	PCS
14	4-20-0051-100503	LABEL "03" TRANSLUCENT BOTTOM BLACK WORD	1	PCS
13	4-20-0050-100502	LABEL "02" TRANSLUCENT BOTTOM BLACK WORD	1	PCS
12	4-20-0036-100501	LABEL "01" TRANSLUCENT BOTTOM BLACK WORD	1	PCS
11	4-20-0063-001001	ACETATE TAPE BLACK W=10mm	50*2	mm
10	4-12-0016-000051	LATCH(EXT.MINI SAS 26P)	1	PCS
9	4-13-0032-M26551	SCREW M2*0.65 NICKEL PLATED	2	PCS
8	3-02-0002-086701	TRL-THERMELT-867	5	G
7	3-02-0001-532151	PE5321	7	G
6	3-01-0001-005001	PVC 50P BK	12	G
5	2-61-A005-011501	E-SATA 7P/LATCH PBT BK	4	PCS
4	2-70-0005-011501	MINI SAS 26P ZINE ALLOY BOTTOM SHELL NICKEL PLATED	1	PCS
3	2-70-0002-011501	MINI SAS 26P ZINE ALLOY UP SHELL NICKEL PLATED	1	PCS
2	2-70-0004-011501	MINI SAS 26P CONNECTOR	1	PCS
1	1-70-0002-200251	(30#*2C+2D)*8P+8C+FILLER (Amphenol No: 306-9699-970)	980	mm



DIMENSION IN MILLIMETERS
 DIMENSION IN INCHES ARE: xxx.x
 DIMENSION IN BASKET (K) ARE: xxx.x
 DIMENSION IN BASKET (K) ARE: xxx.x
 APPROVALS: _____ DATE: _____
 DRAWN: _____ CHECKED: _____
 DataStorageCables.com
 EXT.MINI SAS 26P TO 4x E-SATA
 7P/F CABLE ASS'Y L=1M
 SIZE: C SCALE: xx : xx DRAWING NO. C5647E-1MC REV. B
 ID NO. SHEET 2 OF 2