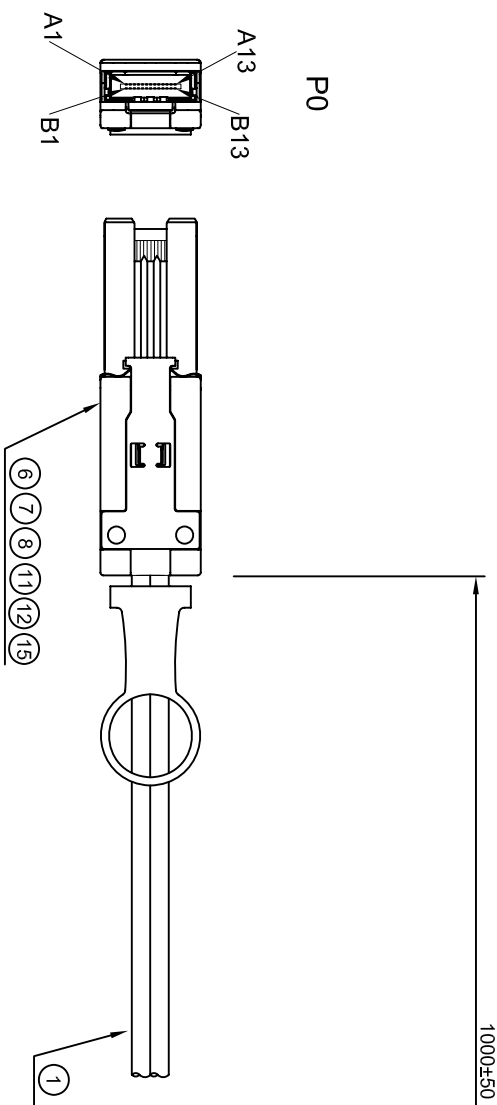


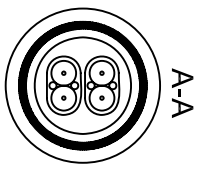
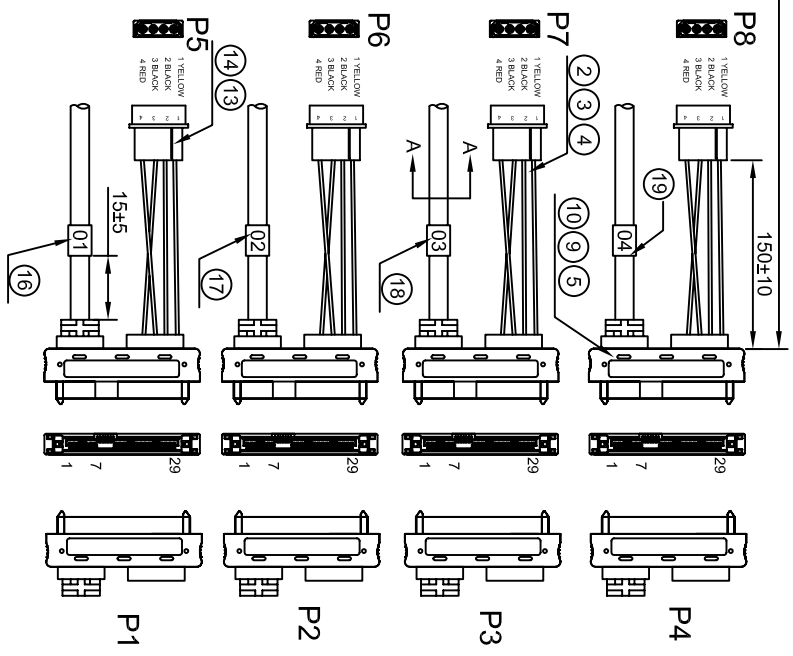
CUSTOMER DRAWING

TR	DESCRIPTION	DATE	APPROVED
A0	Initial Release for Manufacture	OCT.24.07	Jemy

REVISIONS



*	4-18-0005-463015	CARTON 46*30*15cm	1/20	PCS
*	4-14-0022-342851	PE BAG 34**28**0.08mm	1/20	PCS
*	4-14-0003-081251	PE BAG 8**12**0.06mm	1	PCS
*	4-16-0003-100001	TIE BLACK	120	mm
19	4-22-0028-071504	LABEL "04"W=7mm TRANSLUCENT BOTTOM WHITE WORD	1	PCS
18	4-22-0027-071503	LABEL "03"W=7mm TRANSLUCENT BOTTOM WHITE WORD	1	PCS
17	4-22-0026-071502	LABEL "02"W=7mm TRANSLUCENT BOTTOM WHITE WORD	1	PCS
16	4-22-0025-071501	LABEL "01"W=7mm TRANSLUCENT BOTTOM WHITE WORD	1	PCS
15	4-20-0052-002051	FIOL-CU W=20mm(W=20/2)	60	mm
14	4-19-A006-508501	8611 MALE TERMINAL TIN PLATED	16	PCS
13	4-19-B006-508551	8621 FEMALE 4P HOUSING	4	PCS
12	4-13-0032-M26551	SCREW M2*0.65 NICKEL PLATED	2	PCS
11	3-02-0002-4086701	TRL-THERMELT-867	5	G
10	3-02-0001-532151	PE5321	7	G
9	3-01-0001-005001	PVC 50P BK	12	G
8	2-70-0005-011501	MINI SAS 26P ZINE ALLOY BOTTOM SHELL NICKEL PLATED	1	PCS
7	2-70-0002-011501	MINI SAS 26P ZINE ALLOY UP SHELL NICKEL PLATED	1	PCS
6	2-70-0004-011501	MINI SAS 26P CONNECTOR	1	PCS
5	2-66-A009-000301	SAS 29P/F CONTACT GOLD PLATED 15U" H.S LCP BLACK	4	PCS
4	1-57-0083-610203	UL 1007 22 AWG RED	168*4	mm
3	1-57-0007-610205	UL 1007 22 AWG YELLOW	168*4	mm
2	1-57-0081-610201	UL 1007 22 AWG BLACK	168*8	mm
1	1-61-0018-200201	(30#*2C+AL+2D)*2C+AB OD:4.5mm BK UL21149	2030*4	mm



APPROVALS	DATE	REVISIONS
ROVEN	OCT.24.07	
ROVEN	OCT.24.07	

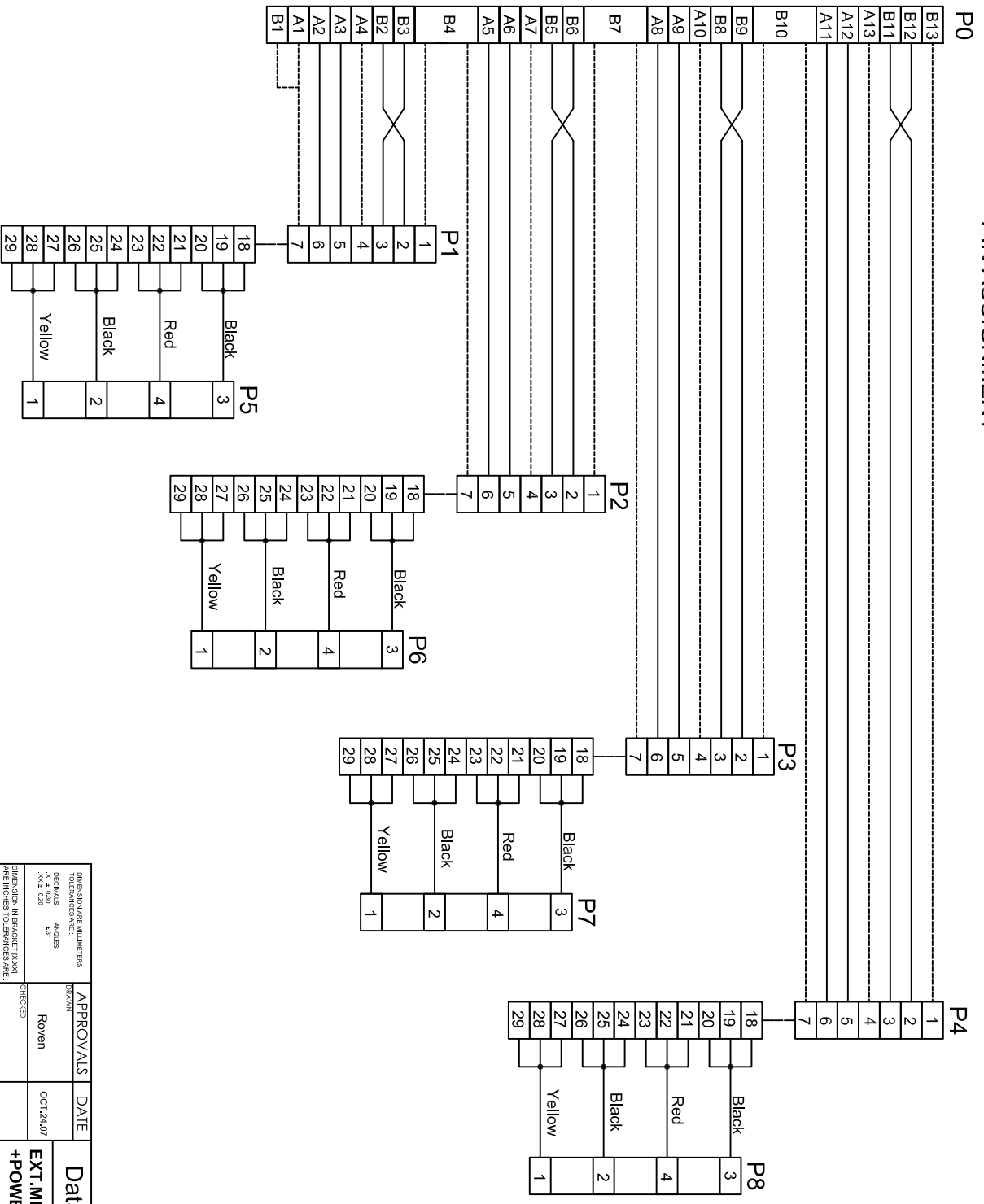
DATA STORAGE CABLES .COM	EXT MINI SAS 26P TO 4x (SAS 29P/F +POWER 4P) ROUND CABLE L=1M
SIZE	SCALE :
C	xx : xx
ID NO. C5629-1MC	DRAWING NO. C5629-1MC
	REV. A0
	SHEET 1 OF 2

CUSTOMER DRAWING

PIN ASSIGNMENT

REVISIONS

LTR	DESCRIPTION	DATE	APPROVED
A0	Initial Release for Manufacture	OCT.24.07	Jenny



DIMENSIONS ARE IN MILLIMETERS		APPROVALS		DATE	
TOLERANCES ARE:	FRAMN	ROVEN	OCT.24.07		
DECIMALS .X.X	ANGLES .5°	ROVEN	OCT.24.07		
DIMENSION IN BRACKET [XXX] ARE INCHES TOLERANCES ARE:		CHECKED			
DECIMALS .XXX	ANGLES .5	CHECKED			
DataStorageCables.com		ROVEN		OCT.24.07	
EXT. MINI SAS 26P TO 4x (SAS 29P/P		SIZE		SCALE :	DRAWING NO.
+POWER 4P) ROUND CABLE L=1M		C	xx : xx	C5629-1MC	REV. A0
		SHIFT 7 OF 2			