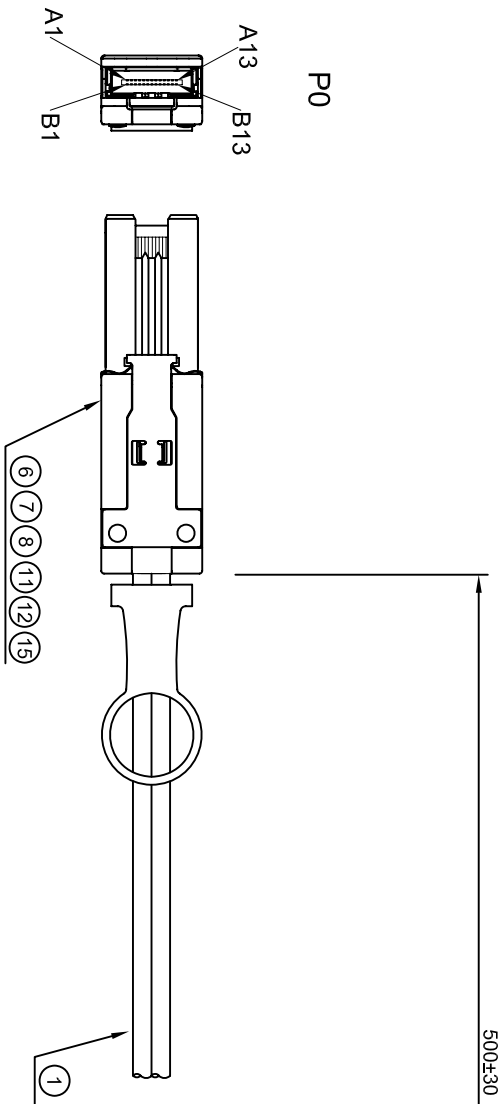


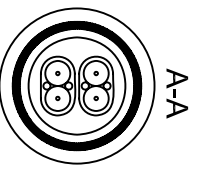
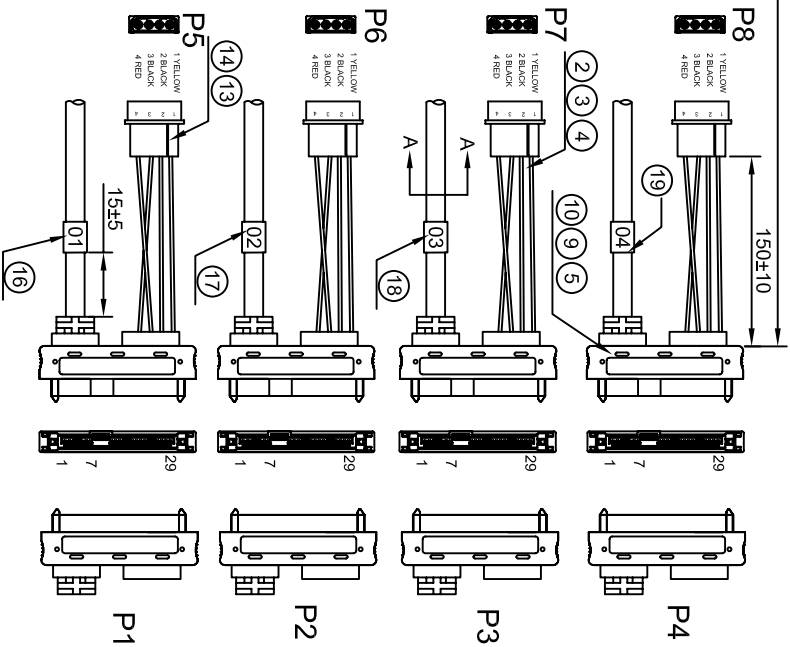
CUSTOMER DRAWING

LR	DESCRIPTION	DATE	APPROVED
A0	Initial Release for Manufacture	OCT 24, 07	Jerry

REVISIONS



*	4-18-0005-463015	CARTON 46*30*15cm	1/20	PCS
*	4-14-0022-342851	PE BAG 34**28**0,08mm	1/20	PCS
*	4-14-0003-081251	PE BAG 8**12**0,06mm	1	PCS
*	4-16-0003-100001	TIE BLACK	120	mm
19	4-22-0028-071504	LABEL *04*W=7mm TRANSLUCENT BOTTOM WHITE WORD	1	PCS
18	4-22-0027-071503	LABEL *03*W=7mm TRANSLUCENT BOTTOM WHITE WORD	1	PCS
17	4-22-0026-071502	LABEL *02* W=7mm TRANSLUCENT BOTTOM WHITE WORD	1	PCS
16	4-22-0025-071501	LABEL *01* W=7mm TRANSLUCENT BOTTOM WHITE WORD	1	PCS
15	4-20-0052-002051	FIOL-CU W=20mm(W=20/2)	60	mm
14	4-19-A006-508501	8611 MALE TERMINAL TIN PLATED	16	PCS
13	4-19-B006-508551	8621 FEMALE 4P HOUSING	4	PCS
12	4-13-0032-M26551	SCREW M2*0,65 NICKEL PLATED	2	PCS
11	3-02-0002-086701	TRL-THERMELT-867	5	G
10	3-02-0001-532151	PE5321	7	G
9	3-01-0001-005001	PVC 50P BK	12	G
8	2-70-0005-011501	MINI SAS 26P ZINE ALLOY BOTTOM SHELL NICKEL PLATED	1	PCS
7	2-70-0002-011501	MINI SAS 26P ZINE ALLOY UP SHELL NICKEL PLATED	1	PCS
6	2-70-0004-011501	MINI SAS 26P CONNECTOR	1	PCS
5	2-66-A009-000301	SAS 29P/P CONTACT GOLD PLATED 15U" H,S LCP BLACK	4	PCS
4	1-57-0083-610203	UL1007 22 AWG RED	168*4	mm
3	1-57-0007-610205	UL1007 22 AWG YELLOW	168*4	mm
2	1-57-0081-610201	UL1007 22 AWG BLACK	168*8	mm
1	1-61-0018-200201	(30#*2C+AL+2D)*2C+AB OD:4,5mm BK UL21149	530*4	mm



DIMENSIONS AND TOLERANCES		APPROVALS		DATE	
DECIMALS	ANGLES	DRAWN		OCT 24, 07	
0.1, 0.05	0.5°	Rovgen			
DIMENSIONS IN BRACKET [XXX] ARE INCHES TOLERANCES ARE:		CHECKED			
XXX ±		APPROVAL:			
DO NOT SCALE DRAWING		Rovgen		OCT 24, 07	

DataStorageCables.com

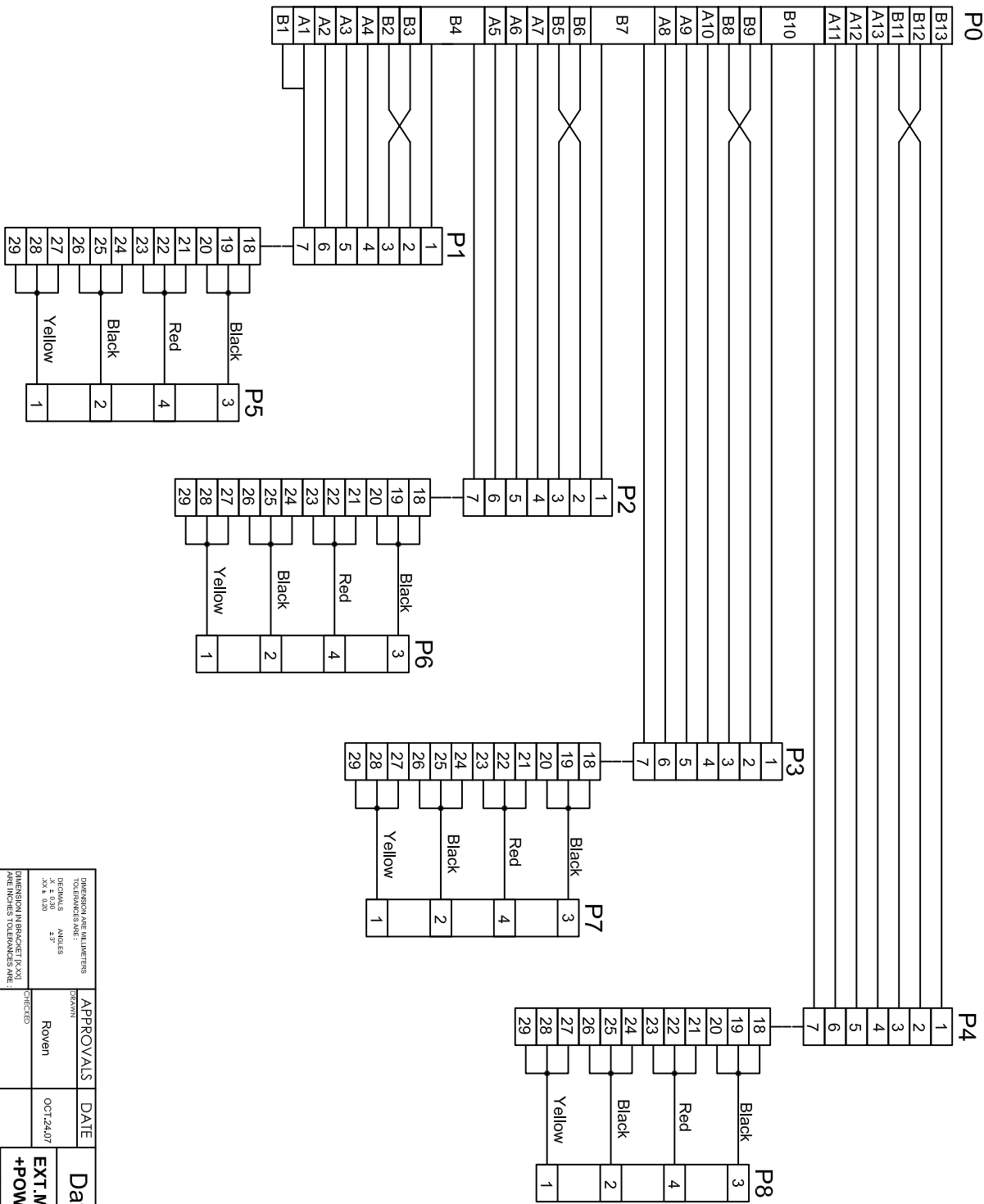
EXT. MINI SAS 26P TO 4x (SAS 29P/P +POWER 4P) ROUND CABLE L=0.5M

SIZE	SCALE :	DRAWING NO.	REV.
C	xx : xx	C5629-.5MC	A0
ID NO.	C5629-.5MC	SHEET 1 OF 2	

CUSTOMER DRAWING

PIN ASSIGNMENT

LT#	DESCRIPTION	DATE	APPROVED
A0	Initial Release for Manufacture	OCT.24.07	Jenny



APPROVALS		DATE	DataStorageCables.com	
DESIGNED BY:	ROVEN	OCT.24.07	EXT. MINI SAS 26P TO 4x (SAS 29P/F +POWER 4P) ROUND CABLE L=0.5M	
CHECKED BY:	ROVEN	OCT.24.07		
SCALE:	1:1		DRAWING NO.:	C5629-5MC
DRAWING NO.:	C5629-5MC		REV.:	A0
SHEET 2 OF 2				

DIMENSIONS IN MILLIMETERS		DIMENSIONS IN INCHES	
ORIGINALS	ANGLES	ORIGINALS	ANGLES
XX.X	°3'	X.X	°3'
XX.X		XX.X	

DO NOT SCALE DRAWING