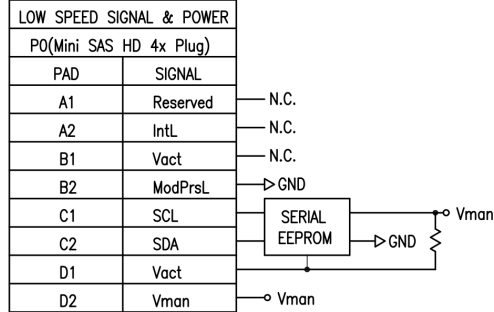


REV.	REMARK	DATE	SIGN.

**WIRING DIAGRAM**

HIGH SPEED SIGNAL			
P0(Mini SAS HD 4x Plug)		Mini SAS 4x Plug	
PIN	SIGNAL	PAD	SIGNAL
B4	RX0+	B2	TX0+
B5	RX0-	B3	TX0-
D4	TX0+	A2	RX0+
D5	TX0-	A3	RX0-
A4	RX1+	B2	TX0+
A5	RX1-	B3	TX0-
C4	TX1+	A2	RX0+
C5	TX1-	A3	RX0-
B7	RX2+	B2	TX0+
B8	RX2-	B3	TX0-
D7	TX2+	A2	RX0+
D8	TX2-	A3	RX0-
A7	RX3+	B2	TX0+
A8	RX3-	B3	TX0-
C7	TX3+	A2	RX0+
C8	TX3-	A3	RX0-
GND GROUP 1: A3,A6,A9,B3,B6,B9		GND GROUP A1,A4,A7,A10,A13	
GND GROUP 2: C3,C6,C9,D3,D6,D9		B1,B4,B7,B10,B13	
P0 Connector Shell		P1,P2,P3,P4 Connector Shell	



**DATA STORAGE CABLES**

DESC.	Mini SAS HD 4x to Mini SAS 4x*4 CABLE ASS'Y	APPROVED	CHECKED	DESIGNED	TOLERANCE	SCALE	*	UNIT	mm	
P/N	C5556X4-5M CUSTOMER P/N						DATE	01/21/'13	DWG NO:	DWG\RC\5955

1 2 3 4 5 6 7 8 9