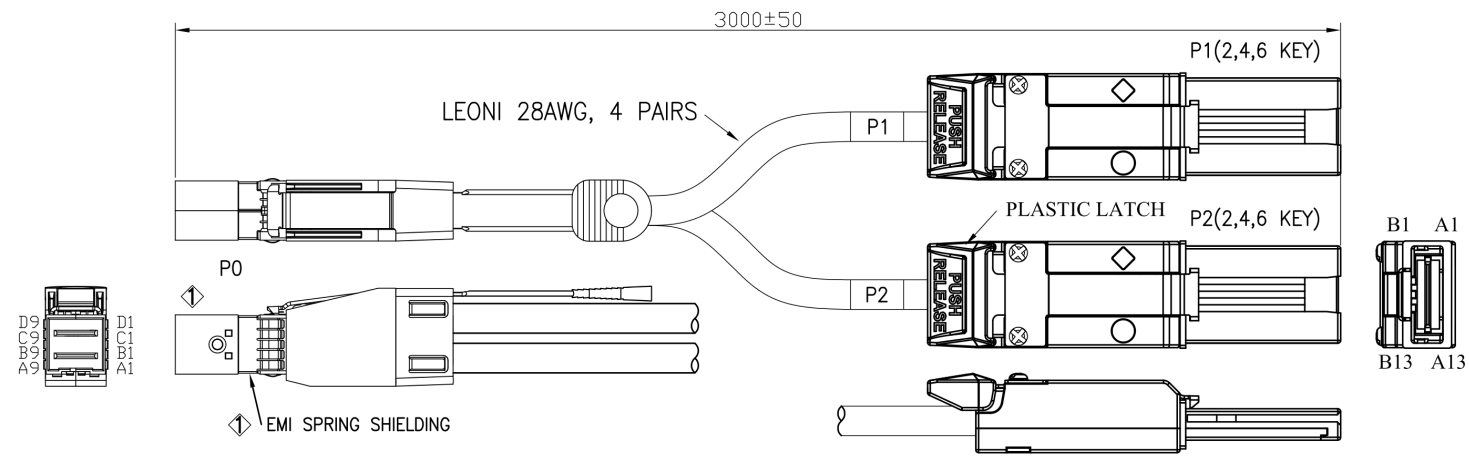


| | | | | | | | | | |
|--|---|---|---|---|---|---|---|---|---|
| | 1 | 2 | 3 | 4 | 5 | 6 | 7 | 8 | 9 |
|--|---|---|---|---|---|---|---|---|---|

| REV. | REMARK | DATE | SIGN. |
|------|------------------------|-----------|-------|
| ① | CHANGE CONNECTOR & PCB | 01/30/'13 | |

RoHS



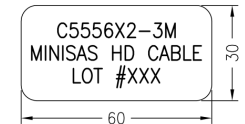
MATERIAL RoHS COMPLIANT:

1.CABLE:
 CONDUCTOR: 28 AWG SOLID SILVER PLATED COPPER.
 INSULATION: SKIN-FOAM-SKIN
 PAIR: 2 WIRES, WH AND YE PARALLEL.
 CORE: 4 PAIRS
 PAIR DRAIN WIRE: $\phi 0.25$ mm TINNED COPPER.
 PAIR SHIELD: ALUMINUM FOIL OVERLAPPED, ALU INSIDE.
 INNER SHIELD: ALUMINUM FOIL OVERLAPPED, APPLIED LONGITUDINALLY.
 OUTER SHIELD: 38 AWG TINNED COPPER BRAID, 85% COVERAGE.
 DIAMETER: 5.6 ± 0.2 mm
 PRINT LEGEND: "LEONI High Speed Cables ParaLink®-11
 100 Ω 4pairs 28AWG (shielded) (UL) E116441 CL2 75°C"
 DIFFERENTIAL IMPEDANCE: 100 ± 5 OHM.

2.CONNECTOR:

P0: Mini SAS HD 4x CABLE PLUG (SFF-8644)
 ⚡ (1) P.C.B: 4 LAYERS, GOLD PLATING ON CONTACT PADS, WITHOUT CARBON
 (P/N: MPCB-040113LF REV.A / SPCB-040114A)
 (2) LATCH: STAINLESS STEEL
 (3) BACKSHELL- ZINC DIE CASTING HOOD/ NICKEL PLATING
 (4) PULL TAB: NYLON UL94V-0, COLOR: BLUE.
 ⚡ (5) EMI SPRING SHIELDING
 P1,P2: Mini SAS 4x CABLE PLUG - 26CKT CONNECTOR (SFF-8088)
 (1) P.C.B: 4 LAYERS, GOLD PLATING ON CONTACT PADS.
 (2) LATCH: STAINLESS STEEL
 (3) BACKSHELL: ZINC DIE CASTING HOOD/ NICKEL PLATING
 (4) WITH EXTERNAL UNIVERSAL KEY
 3.FOR SAS 6.0 Gbps.
 4.TWO-WIRED SERIAL MEMORY: ATMEL AT24C02B EEPROM (256 BYTES).

5.LABELING ON BAG:



| | | | | | | | | | | | | | |
|---------------------|-------|--|--------------|--|----------|---------|----------|-----------|-------|-----------|---------|-------------|--|
| DATA STORAGE CABLES | DESC. | Mini SAS HD 4x/Mini SAS 4x*2 CABLE ASS'Y | | | APPROVED | CHECKED | DESIGNED | TOLERANCE | SCALE | * | UNIT | mm | |
| | P/N | C5556X2-3M | CUSTOMER P/N | | | | | | DATE | 01/30/'13 | DWG NO: | DWG\RC\5950 | |

| | | | | | | | | |
|---|---|---|---|---|---|---|---|---|
| 1 | 2 | 3 | 4 | 5 | 6 | 7 | 8 | 9 |
|---|---|---|---|---|---|---|---|---|