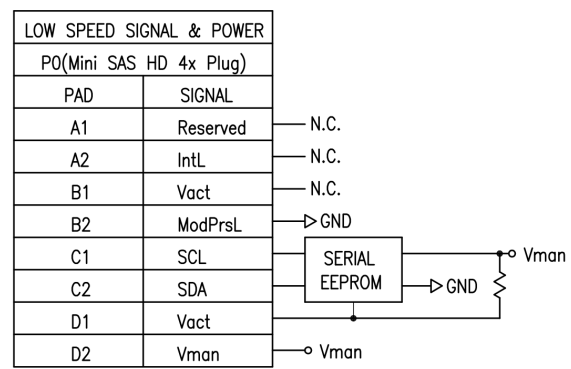


1	2	3	4	5	6	7	8	9
REV.	REMARK	DATE	SIGN.					

WIRING DIAGRAM

HIGH SPEED SIGNAL			
P0(Mini SAS HD 4x Plug)		Mini SAS 4x	
PIN	SIGNAL	PAD	SIGNAL
B4	RX0+	B2	TX0+
B5	RX0-	B3	TX0-
D4	TX0+	A2	RX0+
D5	TX0-	A3	RX0-
A4	RX1+	B5	TX1+
A5	RX1-	B6	TX1-
C4	TX1+	A5	RX1+
C5	TX1-	A6	RX1-
GND GROUP	GND	GND GROUP	GND
B7	RX2+	B2	TX0+
B8	RX2-	B3	TX0-
D7	TX2+	A2	RX0+
D8	TX2-	A3	RX0-
A7	RX3+	B5	TX1+
A8	RX3-	B6	TX1-
C7	TX3+	A5	RX1+
C8	TX3-	A6	RX1-
GND GROUP	GND	GND GROUP	GND
GND GROUP: A3,A6,A9,B3,B6,B9, C3,C6,C9,D3,D6,D9.		P1,P2 GND GROUP: A1,A4,A7,A10,A13, B1,B4,B7,B10,B13.	
P0 Connector Shell		P1,P2 Connector Shell	



DATA STORAGE CABLES	DESC.	Mini SAS HD 4x/Mini SAS 4x*2 CABLE ASS'Y			APPROVED	CHECKED	DESIGNED	TOLERANCE	SCALE	*	UNIT	mm	
	P/N	C5556X2-2M	CUSTOMER P/N				*	DATE	01/22/'13	DWG NO:	DWG\RC\5949		

1 2 3 4 5 6 7 8 9