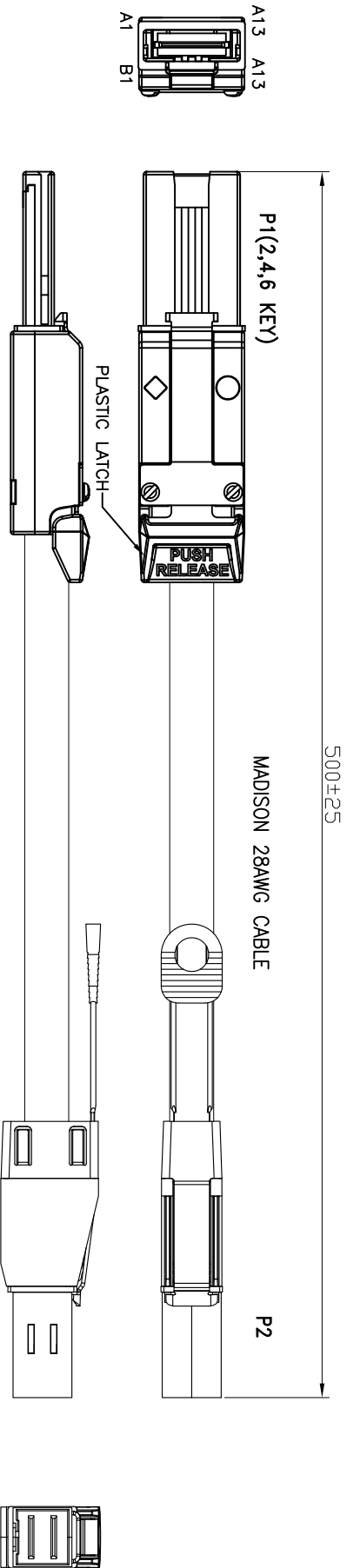


REV.	1	REMARK	2	DATE	3	SIGN.
------	---	--------	---	------	---	-------

ROHS



MATERIAL ROHS COMPLIANT:

- CABLE:**
CONDUCTOR: 28AWG SOLID SILVER PLATED COPPER.
INSULATION: FOAM POLYOLEFIN.
PAIR: 2 SINGLES LAID FLAT AND PARALLEL.
CORE: 8 PAIRS
PAIR DRAIN WIRE: 30AWG SOLID SILVER PLATED COPPER.
PAIR SHIELD: ALUMINUM/POLYESTER TAPE, ALUMINUM SIDE FACING IN, 25% OVERLAP.
INNER SHIELD: ALUMINUM/POLYESTER TAPE, ALUMINUM SIDE FACING OUT, 25% OVERLAP.
OUTER SHIELD: 38AWG TIN PLATED COPPER BRAID, 85% COVERAGE.
DIAMETER: 7.874mm
PRINT LEGEND: "MADISON CABLE CORP. TYPE CL2 75°C 28AWG (UL) TurboTwin™ ROHS COMPLIANT"
DIFFERENTIAL IMPEDANCE: 100±5 OHMS @TDR
UL LISTING: TYPE CL2 AS SPECIFIED IN ARTICLE 725 OF THE NATIONAL ELECTRICAL CODE.

2. CONNECTOR:

- P1: Mini SAS 4x CABLE PLUG - 26CKT CONNECTOR (SFF-8088)**
(1) P.C.B: 4 LAYERS, GOLD PLATING ON CONTACT PADS.
(2) LATCH: STAINLESS STEEL
(3) BACKSHELL - ZINC DIE CASTING HOOD/ NICKEL PLATING
(4) WITH EXTERNAL UNIVERSAL KEY
P2: Mini SAS HD 4x CABLE PLUG (SFF-8644)
(1) P.C.B: 6 LAYERS, GOLD PLATING ON CONTACT PADS.
(2) LATCH: STAINLESS STEEL.
(3) BACKSHELL - ZINC DIE CASTING HOOD/ NICKEL PLATING
(4) PULL TAB: NYLON UL94V-0, COLOR: BLUE.
(5) EMI GASKET.
- FOR SAS 6.0 Gbps.
 - TWO-WIRED SERIAL MEMORY: ATMEL AT24C02B EEPROM (256 BYTES).

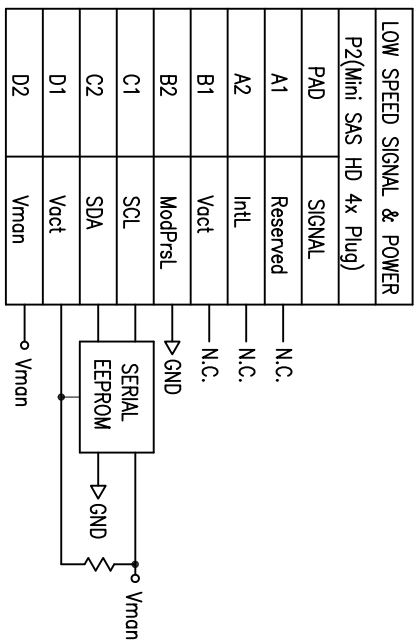
DataStorageCables.com

1	2	3	4	5	6	7	8	9	
DESC.	Mini SAS 4x/Mini SAS HD 4x CABLE ASS'Y	APPROVED	CHECKED	DESIGNED	TOLERANCE	SCALE	*	UNIT	mm
P/N	C5556-.5M	CUSTOMER P/N		Sino		DATE	08/11/'11	DWG NO:	DWG\RC\4779

1	2	3
REV.	REMARK	DATE SIGN.

WIRING DIAGRAM

HIGH SPEED SIGNAL		P2(Mini SAS HD 4x Plug)	
PIN	SIGNAL	PAD	SIGNAL
A1	RX3+	C7	TX3+
A2	RX0+	D4	TX0+
A3	RX0-	D5	TX0-
A4	RX1+	C4	TX1+
A5	RX1-	C5	TX1-
A6	RX2+	D7	TX2+
A7	RX2-	D8	TX2-
A8	RX3-	C8	TX3-
A9	TX0+	B4	RX0+
A10	TX0-	B5	RX0-
A11	TX1+	A4	RX1+
A12	TX1-	A5	RX1-
B1	TX2+	B7	RX2+
B2	TX2-	B8	RX2-
B3	TX3+	A7	RX3+
B4	TX3-	A8	RX3-
GND GROUP		GND GROUP	
GND		GND	
GND GROUP: A1,A4,A7,A10,A13, B1,B4,B7,B10,B13.		GND GROUP: A3,A6,A9,B3,B6,B9, C3,C6,C9,D3,D6,D9.	
Connector Shell		Connector Shell	



DataStorageCables.com

1	2	3	4	5	6	7	8	9
DESC.	Mini SAS 4x/Mini SAS HD 4x CABLE ASS'Y	APPROVED	CHECKED	DESIGNED	TOLERANCE	SCALE	DATE	UNIT
P/N	C5556-.5M	CUSTOMER P/N		Sino	*	*	08/11/'11	mm
								DWG NO: DWG\RC\4779