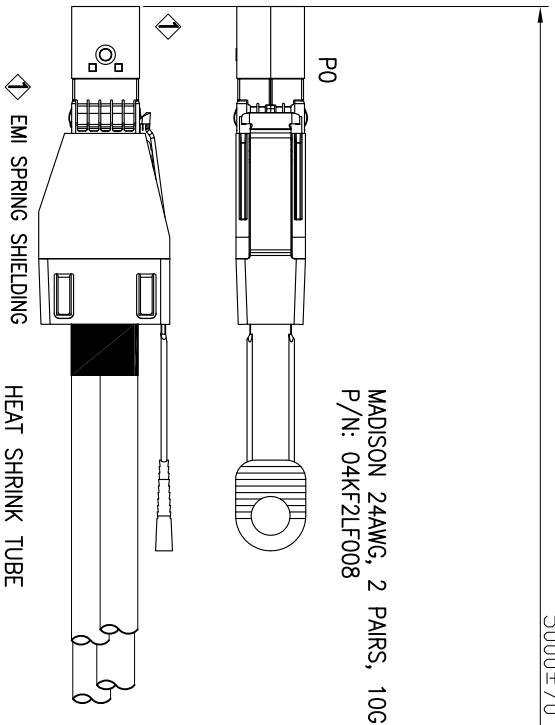
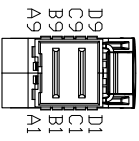


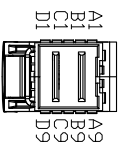
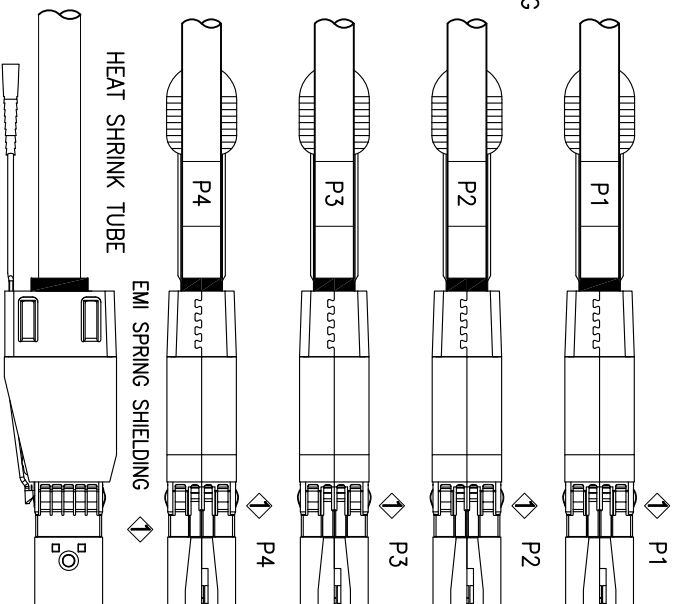
REV.	1	2	3	4	5	6	7	8	9
REMARK									
CHANGE CONNECTOR & PCB			DATE	SIGN.					
			01/30/13	Sino					

5000±70

**ROHS**



MADISON 24AWG, 2 PAIRS, 10G  
P/N: 04KF2LF008

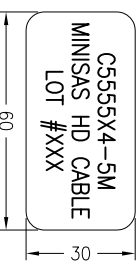


**MATERIAL ROHS COMPLIANT:**

**1. CABLE:**  
 CONDUCTOR: 24 AWG SOLID SILVER PLATED COPPER.  
 INSULATION: FOAM POLYOLEFIN, COLOR - NATURAL.  
 PAIR: 2 SINGLES LAID FLAT AND PARALLEL.  
 CORE: 2 PAIRS  
 PAIR DRAIN: 26 AWG SOLID SILVER PLATED COPPER.  
 PAIR SHIELD: ALUMINUM/POLYESTER TAPE, ALUMINUM SIDE FACING IN.  
 INNER SHIELD: ALUMINUM/POLYESTER/POLYESTER/ALUMINUM TAPE, 25% OVERLAP.  
 OUTER SHIELD: 38 AWG TIN PLATED COPPER BRAID, 85% COVERAGE.  
 JACKET: XPBT, COLOR - BLACK.  
 DIAMETER: 6.477 MM  
 DIFFERENTIAL IMPEDANCE: 100 ± 5 OHM @TDR.  
**PRINTED LEGEND: "MADISON CABLE (UL) TYPE CL2 75°C 24 AWG**  
**CSA AWM II A/B 80°C 30V FT4 TurboTwin™ ROHS COMPLIANT {D/C}**  
 APPROVAL: UL TYPE CL2 AS SPECIFIED IN ARTICLE 725 OF THE NATIONAL ELECTRICAL CODE.

**2. CONNECTOR:**  
 P0-P4: Mini SAS HD 4x CABLE PLUG (SFF-8644)  
 (1) P.C.B: 4 LAYERS, GOLD PLATING ON CONTACT PADS, WITHOUT CARBON  
 (P/N: MPCB-040117LF REV.A / SPCB-040118A)  
 (2) LATCH: STAINLESS STEEL  
 (3) BACKSHELL - ZINC DIE CASTING HOOD/ NICKEL PLATING  
 (4) PULL TAB: NYLON UL94V-0, COLOR: BLUE.  
 (5) EMI SPRING SHIELDING  
**3. TWO-WIRED SERIAL MEMORY: ATMEL AT24C02B EEPROM (256 BYTES).**  
 4. For SAS 12.0/Gbps

**4. LABELING ON BAG:**



DataStorageCables.com

1	2	3	4	5	6	7	8	9	
DESC.	Mini SAS HD 4x/Mini SAS HD 4x*4 CABLE ASS'Y	APPROVED	CHECKED	DESIGNED	TOLERANCE	SCALE	*	UNIT	mm
P/N	CUSTOMER P/N	C5555X4-5M		Sino		DATE	01/30/13	DWG NO:	DWG\RC\5947

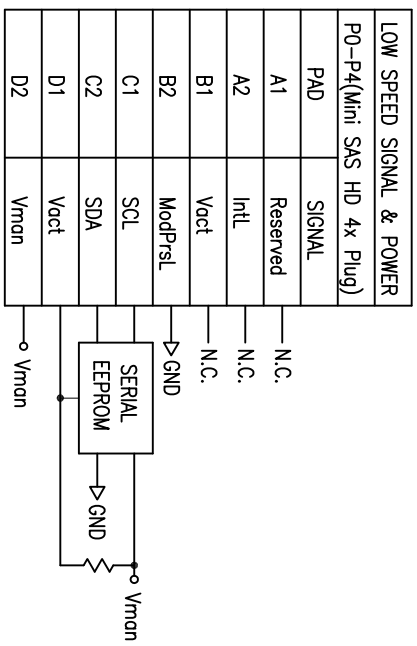
1	2	3
REV.	REMARK	DATE SIGN.

### WIRING DIAGRAM

HIGH SPEED SIGNAL			
P0(Mini SAS HD 4x Plug)	SIGNAL	Mini SAS HD 4x Plug	PAD
PIN	SIGNAL	SIGNAL	PAD
B4	RX0+	TX0+	D4
B5	RX0-	TX0-	D5
D4	TX0+	RX0+	B4
D5	TX0-	RX0-	B5
A4	RX1+	TX0+	D4
A5	RX1-	TX0-	D5
C4	TX1+	RX0+	B4
C5	TX1-	RX0-	B5
B7	RX2+	TX0+	D4
B8	RX2-	TX0-	D5
D7	TX2+	RX0+	B4
D8	TX2-	RX0-	B5
A7	RX3+	TX0+	D4
A8	RX3-	TX0-	D5
C7	TX3+	RX0+	B4
C8	TX3-	RX0-	B5

GND GROUP 1:  
P0-A3,A6,A9,B3,B6,B9, P1,P2,P3,P4-C3,C6,C9,D3,D6,D9  
GND GROUP 2:  
P0-C3,C6,C9,D3,D6,D9, P1,P2,P3,P4-A3,A6,A9,B3,B6,B9

P0 Connector Shell P1-P4 Connector Shell



DataStorageCables.com		DESC.	Mini SAS HD 4x/Mini SAS HD 4x*4 CABLE ASS'Y	APPROVED	CHECKED	DESIGNED	TOLERANCE	SCALE	UNIT
1	2	P/N	C5555X4-xM			Sino	*	*	mm
			CUSTOMER P/N					DATE	DWG NO:
								01/18/13	DWG\RC\5944

1 2 3 4 5 6 7 8 9