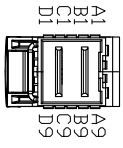
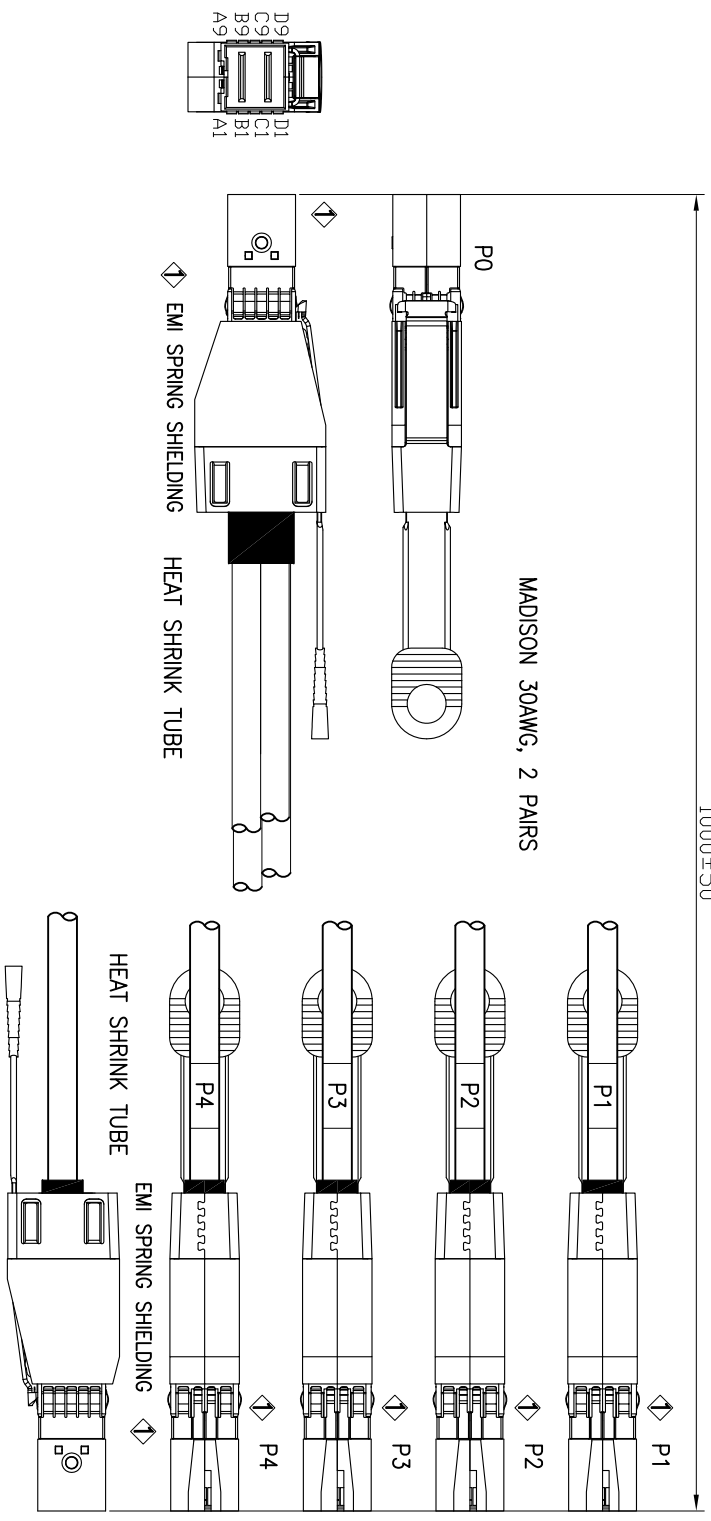


REV.	1	DATE	3	SIGN.
REMARK	CHANGE CONNECTOR & PCB	01/30/'13	Sino	

**ROHS**

1000±50

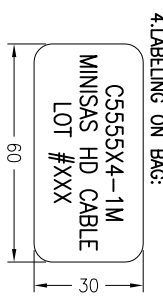
MADISON 30AWG, 2 PAIRS



**MATERIAL ROHS COMPLIANT:**

**1.CABLE:**  
 CONDUCTOR: 30 AWG SOLID SILVER PLATED COPPER.  
 INSULATION: FOAM POLYOLEFIN, COLOR - NATURAL.  
 PAIR: 2 SINGLES LAID FLAT AND PARALLEL.  
 CORE: 2 PAIRS  
 PAIR DRAIN: 30 AWG SOLID SILVER PLATED COPPER  
 PAIR SHIELD: ALUMINUM/POLYESTER TAPE, ALUMINUM SIDE FACING IN.  
 INNER SHIELD: ALUMINUM/POLYESTER/ALUMINUM TAPE, 25% OVERLAP.  
 OUTER SHIELD: 38 AWG TIN PLATED COPPER BRAID, 85% COVERAGE.  
 JACKET: XPBT, COLOR - BLACK.  
**DIAMETER: 4.44±0.254 MM**  
 DIFFERENTIAL IMPEDANCE: 100 ± 5 OHM @TDR.  
 PRINTED LEGEND: MADISON CABLE (UL) TYPE CL2 75°C 30 AWG  
 CSA AWM II A/B 75C 30V FT4 TurboWin™ RoHS COMPLIANT {D/C?}  
 APPROVAL: UL TYPE CL2 AS SPECIFIED IN ARTICLE 725 OF THE NATIONAL ELECTRICAL CODE.

**2.CONNECTOR:**  
 P0-P4: Mini SAS HD 4x CABLE PLUG (SFF-8644)  
 (1) P.C.B: 4 LAYERS, GOLD PLATING ON CONTACT PADS, WITHOUT CARBON  
 (P/N: MPCB-040113LF REV.A / SPCB-040114A)  
 (2) LATCH: STAINLESS STEEL  
 (3) BACKSHELL- ZINC DIE CASTING H00D/ NICKEL PLATING  
 (4) PULL TAB: NYLON U194V-0, COLOR: BLUE.  
 (5) EMI SPRING SHIELDING  
**3.TWO-WIRED SERIAL MEMORY: ATMEL AT24C02B EEPROM (256 BYTES).**  
 4. For SAS 12.0/6bps



DataStorageCables.com

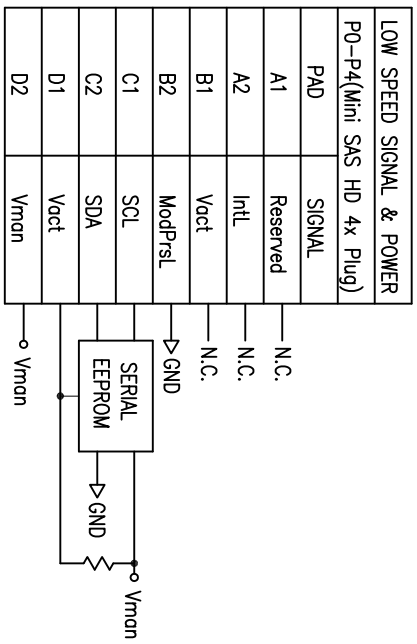
1	2	3	4	5	6	7	8	9	
DESC.	Mini SAS HD 4x/Mini SAS HD 4x*4 CABLE ASS'Y	APPROVED	CHECKED	DESIGNED	TOLERANCE	SCALE	* 1:1	UNIT	mm
P/N	CUSTOMER P/N	C5555X4-1M		Sino		DATE	01/30/'13	DWG NO:	DWG/RC/5945

1	2	3
REV.	REMARK	DATE SIGN.

### WIRING DIAGRAM

HIGH SPEED SIGNAL			
P0(Mini SAS HD 4x Plug)	SIGNAL	Mini SAS HD 4x Plug	PAD
PIN	SIGNAL	SIGNAL	PAD
B4	RX0+	TX0+	D4
B5	RX0-	TX0-	D5
D4	TX0+	RX0+	B4
D5	TX0-	RX0-	B5
A4	RX1+	TX0+	D4
A5	RX1-	TX0-	D5
C4	TX1+	RX0+	B4
C5	TX1-	RX0-	B5
B7	RX2+	TX0+	D4
B8	RX2-	TX0-	D5
D7	TX2+	RX0+	B4
D8	TX2-	RX0-	B5
A7	RX3+	TX0+	D4
A8	RX3-	TX0-	D5
C7	TX3+	RX0+	B4
C8	TX3-	RX0-	B5

GND GROUP 1:  
P0-A3,A6,A9,B3,B6,B9, P1,P2,P3,P4-C3,C6,C9,D3,D6,D9  
GND GROUP 2:  
P0-C3,C6,C9,D3,D6,D9, P1,P2,P3,P4-A3,A6,A9,B3,B6,B9  
P0 Connector Shell P1-P4 Connector Shell



DataStorageCables.com

1	2	3	4	5	6	7	8	9						
DESC.	Mini SAS HD 4x/Mini SAS HD 4x*4 CABLE ASS'Y	P/N	C5555X4-xM	CUSTOMER P/N	APPROVED	CHECKED	DESIGNED	TOLERANCE	SCALE	DATE	UNIT	mm	DWG NO:	DWG RC
							Sino	*	*	01/18/13			5944	