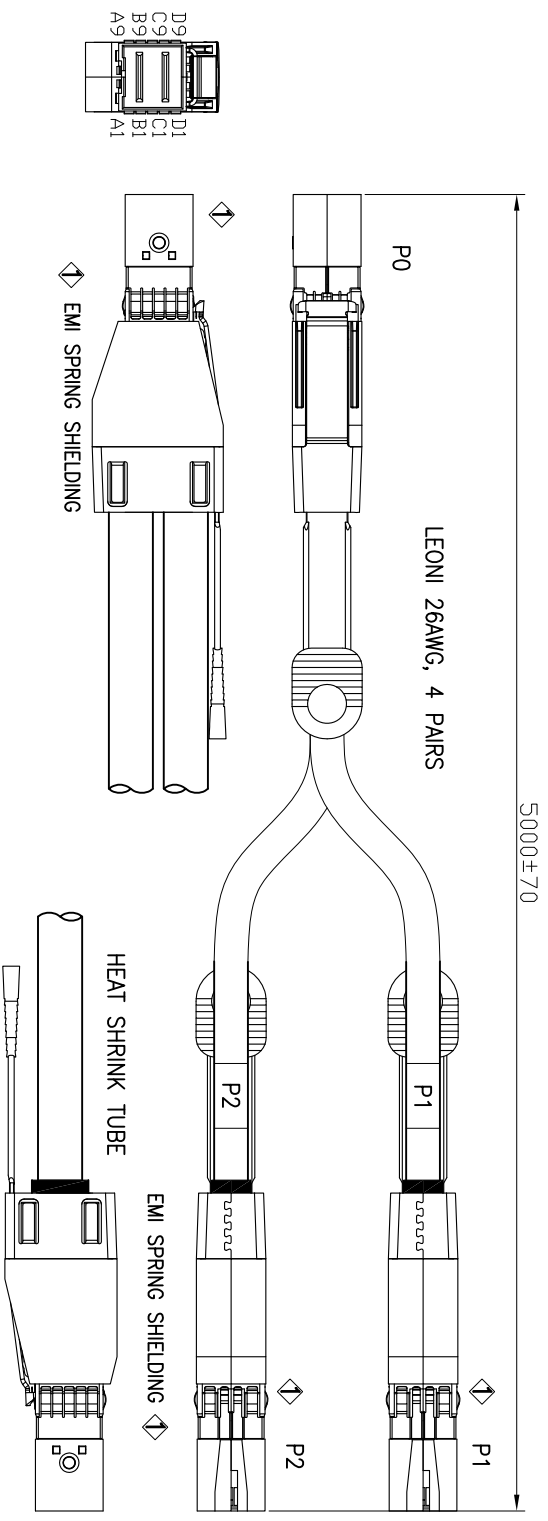


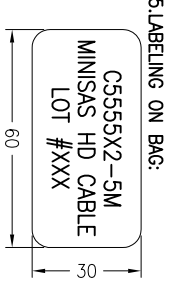
REV.	1	2	3	4	5	6	7	8	9
REMARK									
CHANGE CONNECTOR & PCB			DATE	SIGN.					
			01/30/'13	Sino					



MATERIAL ROHS COMPLIANT:

- 1. CABLE:**
CONDUCTOR: 26 AWG SOLID SILVER PLATED COPPER.
INSULATION: SKIN-FOAM-SKIN
PAIR: 2 WIRES, WH AND YE PARALLEL.
CORE: 4 PAIRS
PAIR DRAIN WIRE: Ø0.32 mm (28AWG) TINNED COPPER.
PAIR SHIELD: ALUMINATE FOIL OVERLAPPED, ALU INSIDE.
INNER SHIELD: ALUMINATE FOIL OVERLAPPED, APPLIED LONGITUDINALLY.
OUTER SHIELD: 38 AWG TINNED COPPER BRAD, 85% COVERAGE.
DIAMETER: 6.8 ± 0.3 mm
PRINT LEGEND: "LEONI High Speed Cables Parallel² -11
 100Ω 4pairs 26AWG (shielded) (UL) E116441 CL2 75°C"
DIFFERENTIAL IMPEDANCE: 100±5 OHM.

- 2. CONNECTOR:**
P0, P1, P2: Mini SAS HD 4x Cable Plug (SFF-8644)
 (1) P.C.B: 4 LAYERS, GOLD PLATING ON CONTACT PADS, WITHOUT CARBON (P/N: MPCB-040117LF REV.A / SPCB-040118A)
 (2) LATCH: STAINLESS STEEL
 (3) BACKSHELL - ZINC DIE CASTING HOOD/ NICKEL PLATING
 (4) PULL TAB: NYLON UL94V-0, COLOR: BLUE.
 (5) EMI SPRING SHIELDING
3. FOR SAS 12.0 Gbps.
4. TWO-WIRED SERIAL MEMORY: ATMEL AT24C02B EEPROM (256 BYTES).



DataStorageCables.com

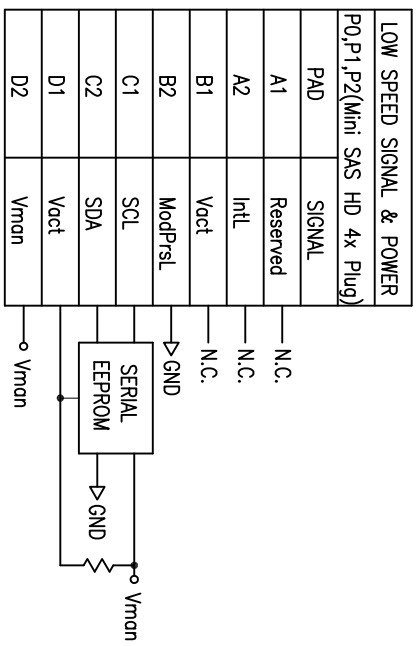
A	1	2	3	4	5	6	7	8	9					
										DESC.	Mini SAS HD 4x/Mini SAS HD 4x*2 CABLE ASS'Y	APPROVED	CHECKED	DESIGNED
			P/N	CUSTOMER P/N	C5555X2-5M			Sino			DATE	01/30/'13	DWG NO:	DWG\RC\5943

1	2	3
REV.	REMARK	DATE SIGN.

WIRING DIAGRAM

HIGH SPEED SIGNAL		
P0(Mini SAS HD 4x Plug)	SIGNAL	Mini SAS HD 4x Plug
PIN	SIGNAL	PAD
B4	RX0+	D4
B5	RX0-	D5
D4	TX0+	B4
D5	TX0-	B5
A4	RX1+	C4
A5	RX1-	C5
C4	TX1+	A4
C5	TX1-	A5
B7	RX2+	D4
B8	RX2-	D5
D7	TX2+	B4
D8	TX2-	B5
A7	RX3+	C4
A8	RX3-	C5
C7	TX3+	A4
C8	TX3-	A5

GND GROUP 1:
P0-A3,A6,A9,B3,B6,B9, P1,P2-C3,C6,C9,D3,D6,D9
GND GROUP 2:
P0-C3,C6,C9,D3,D6,D9, P1,P2-A3,A6,A9,B3,B6,B9
P0 Connector Shell P1,P2 Connector Shell



DataStorageCables.com

1	2	3	4	5	6	7	8	9
---	---	---	---	---	---	---	---	---

DESC.	Mini SAS HD 4x/Mini SAS HD 4x*2 CABLE ASS'Y	APPROVED	CHECKED	DESIGNED	TOLERANCE	SCALE	UNIT
P/N	C5555X2-xM			Sino	*	*	mm
	CUSTOMER P/N					DATE	DWG NO:
						01/18/13	DWG NO: DWG\RC\5940

A