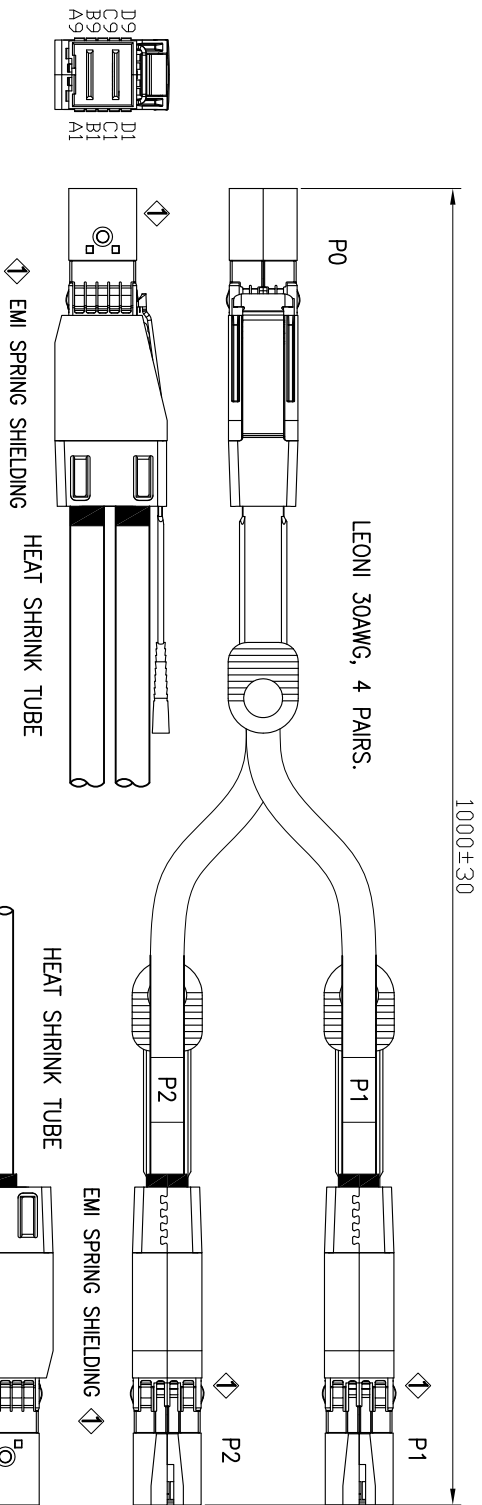


REV.	1	2	3	4	5	6	7	8	9
REMARK									
CHANGE	CONNECTOR & PCB		DATE	01/30/'13	SIGN.	Sino			

**ROHS**



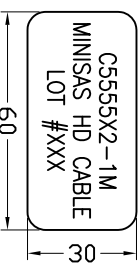
**MATERIAL ROHS COMPLIANT:**

1. CABLE:  
 CONDUCTOR: 30 AWG SOLID SILVER PLATED COPPER.  
 INSULATION: SKIN-FOAM-SKIN  
 PAIR: 2 WIRES, WH AND YE PARALLEL.  
 CORE: 4 PAIRS  
 PAIR DRAIN WIRE:  $\phi$ 0.2 mm (32AWG) TINNED COPPER.  
 PAIR SHIELD: ALUMINUM FOIL OVERLAPPED, ALU INSIDE.  
 INNER SHIELD: ALUMINUM FOIL OVERLAPPED, APPLIED LONGITUDINALLY.  
 OUTER SHIELD: 38 AWG TINNED COPPER BRAID, 85% COVERAGE.  
 DIAMETER: 5.1 ± 0.2 mm  
 PRINT LEGEND: \*LEONI High Speed Cables Paralink<sup>®</sup>-11  
 1000 4pairs 30AWG (shielded) (UL) E116441 CL2 75°C  
 DIFFERENTIAL IMPEDANCE: 100±5 OHM.

**2. CONNECTOR:**

- P0, P1, P2: Mini SAS HD 4x CABLE PLUG (SFF-8644)  
 (1) P.C.B: 4 LAYERS, GOLD PLATING ON CONTACT PADS, WITHOUT CARBON (P/N: MPCB-040113LF REV.A / SPGB-040114A)  
 (2) LATCH: STAINLESS STEEL  
 (3) BACKSHELL- ZINC DIE CASTING HOOD/ NICKEL PLATING  
 (4) PULL TAB: NYLON U194V-0, COLOR: BLUE.  
 (5) EMI SPRING SHIELDING  
 3.FOR SAS 12.0 Gbps.  
 4.TWO-WIRED SERIAL MEMORY: ATMEL AT24C02B EEPROM (256 BYTES).

**5. LABELING ON BAG:**



DataStorageCables.com

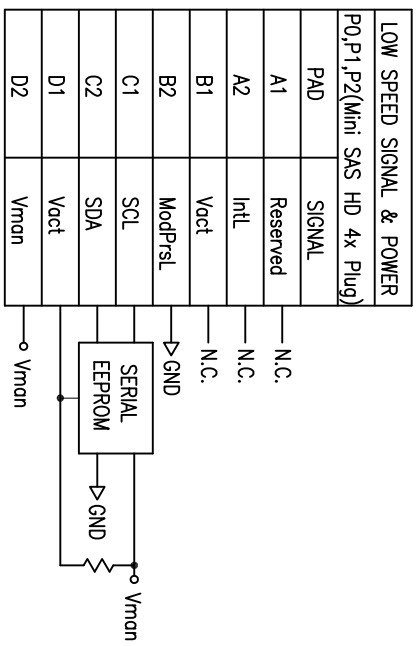
A	1	2	3	4	5	6	7	8	9				
										DESC.	Mini SAS HD 4x/Mini SAS HD 4x*2 CABLE ASS'Y	APPROVED	CHECKED
			P/N	CUSTOMER P/N	C5555X2-1M			Sino		DATE	01/30/'13	DWG NO:	DWG/RC/5940

1	2	3
REV.	REMARK	DATE SIGN.

WIRING DIAGRAM

HIGH SPEED SIGNAL		
P0(Mini SAS HD 4x Plug)	SIGNAL	Mini SAS HD 4x Plug
PIN	SIGNAL	PAD
B4	RX0+	D4
B5	RX0-	D5
D4	TX0+	B4
D5	TX0-	B5
A4	RX1+	C4
A5	RX1-	C5
C4	TX1+	A4
C5	TX1-	A5
B7	RX2+	D4
B8	RX2-	D5
D7	TX2+	B4
D8	TX2-	B5
A7	RX3+	C4
A8	RX3-	C5
C7	TX3+	A4
C8	TX3-	A5

LOW SPEED SIGNAL & POWER		
P0,P1,P2(Mini SAS HD 4x Plug)	SIGNAL	PAD
A1	Reserved	
A2	Intrl	
B1	Vact	
B2	ModPrsl	
C1	SCL	
C2	SDA	
D1	Vact	
D2	Vman	



GND GROUP 1:  
P0-A3,A6,A9,B3,B6,B9, P1,P2-C3,C6,C9,D3,D6,D9

GND GROUP 2:  
P0-C3,C6,C9,D3,D6,D9, P1,P2-A3,A6,A9,B3,B6,B9

P0 Connector Shell

P1,P2 Connector Shell

DataStorageCables.com

1	2	3	4	5	6	7	8	9
DESC.	Mini SAS HD 4x/Mini SAS HD 4x*2 CABLE ASS'Y	APPROVED	CHECKED	DESIGNED	TOLERANCE	SCALE	DATE	UNIT
P/N	C5555X2-xM	CUSTOMER P/N	Sino	*	mm	01/18/13	DWG NO: DWG\RC\5940	