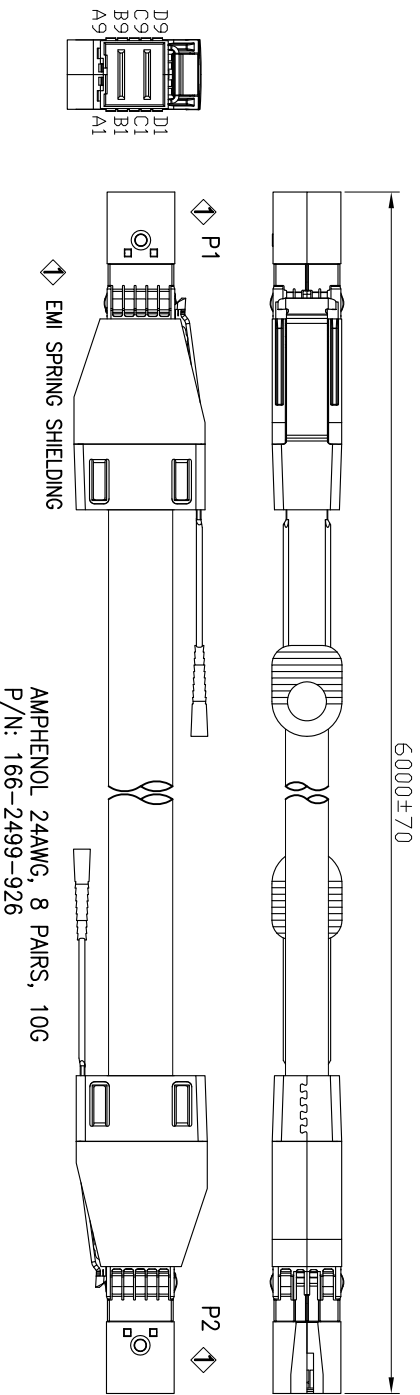
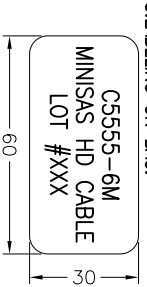


REV.	1	2	3	4	5	6	7	8	9
REMARK			DATE	SIGN.					
CHANGE CONNECTOR & PCB			01/31/'13	Sino					

ROHS



AMPHENOL 24AWG, 8 PAIRS, 10G
P/N: 166-2499-926



MATERIAL ROHS COMPLIANT:

1.CABLE:
 PAIR COMPONENT:
 CONDUCTOR: 24AWG SOLID SILVER PLATED.
 DRAIN WIRE: 27AWG SOLID TINNED COPPER.
 CORE: 8 PAIRS
 PAIR SHIELD: ALUMINUM/POLYESTER TAPE. ALUMINUM SIDE FACING IN, 20% OVERLAP
 FINAL ASSEMBLY:
 INNER SHIELD: ALUMINUM/POLYESTER TAPE, ALUMINUM SIDE FACING OUT, 20% OVERLAP.
 OUTER SHIELD: 36WG TIN PLATED COPPER BRAID, 85% COVERAGE.
 DIAMETER: 9.91±0.381 MM NOMINAL, COLOR: BLACK
 DIFFERENTIAL IMPEDANCE: 100±5 OHMS @1DR
 MUTUAL CAPACITANCE: 42PF/M NOMINAL.
 TIME DELAY: 4.25NS/M.
 PRINT LEGEND:
 SPECTRA-STRIP SKENCLEAR 8 PAIR 24 AWG EXT-11 (UL) 75°C CL2 FT4 ROHS COMPLIANT

2.CONNECTOR:
 P1,P2: Mini SAS HD 4x CABLE PLUG (SFF-8644)
 (1) P.C.B: 4 LAYERS, GOLD PLATING ON CONTACT PADS, WITHOUT CARBON (P/N: MPCB-040117LF REV.A / SPCB-040118A)
 (2) LATCH: STAINLESS STEEL
 (3) BACKSHELL- ZINC DIE CASTING HOOD/ NICKEL PLATING
 (4) PULL TAB: NYLON UL94V-0, COLOR: BLUE.
 (5) EMI SPRING SHIELDING
 3.FOR SAS 12.0 Gbps.
 4.TWO-WIRED SERIAL MEMORY: ATWEL AT74C02B EEPROM (256 BYTES).

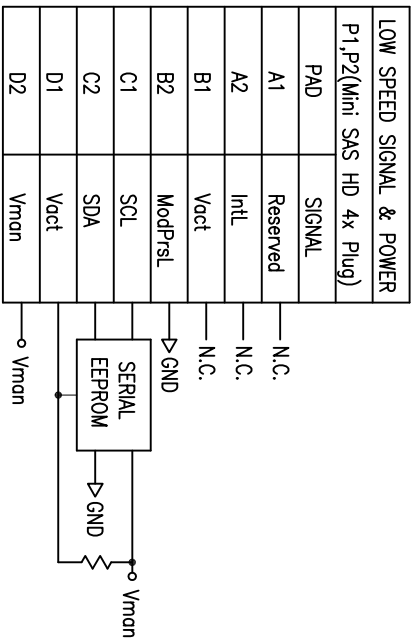
DataStorageCables.com

DESC.	Mini SAS HD 4x/Mini SAS HD 4x CABLE ASS'Y	APPROVED	CHECKED	DESIGNED	TOLERANCE	SCALE	*	UNIT	mm
P/N	C5555-6M			Sino		DATE	01/31/'13	DWG NO:	DWG/RC/5887

1	2	3
REV.	REMARK	DATE SIGN.

WIRING DIAGRAM

HIGH SPEED SIGNAL			
P1(Mini SAS HD 4x Plug)		P2(Mini SAS HD 4x Plug)	
PIN	SIGNAL	PAD	SIGNAL
A4	RX1+	C4	TX1+
A5	RX1-	C5	TX1-
A7	RX3+	C7	TX3+
A8	RX3-	C8	TX3-
B4	RX0+	D4	TX0+
B5	RX0-	D5	TX0-
B7	RX2+	D7	TX2+
B8	RX2-	D8	TX2-
C4	TX1+	A4	RX1+
C5	TX1-	A5	RX1-
C7	TX3+	A7	RX3+
C8	TX3-	A8	RX3-
D4	TX0+	B4	RX0+
D5	TX0-	B5	RX0-
D7	TX2+	B7	RX2+
D8	TX2-	B8	RX2-
GND GROUP		GND GROUP	
GND		GND	



GND GROUP 1:
P1-A3,A6,A9,B3,B6,B9, P2-C3,C6,C9,D3,D6,D9

GND GROUP 2:
P1-C3,C6,C9,D3,D6,D9, P2-A3,A6,A9,B3,B6,B9

Connector Shell

DataStorageCables.com

1	2	3	4	5	6	7	8	9
---	---	---	---	---	---	---	---	---

DESC.	Mini SAS HD 4x/Mini SAS HD 4x CABLE ASS'Y	APPROVED	CHECKED	DESIGNED	TOLERANCE	SCALE	UNIT
P/N	C5555-xM			Sino	*	*	mm
	CUSTOMER P/N					DATE	DWG NO: DWG\RC\4572

A

B

C

D

E

F

A

B

C

D

E

F