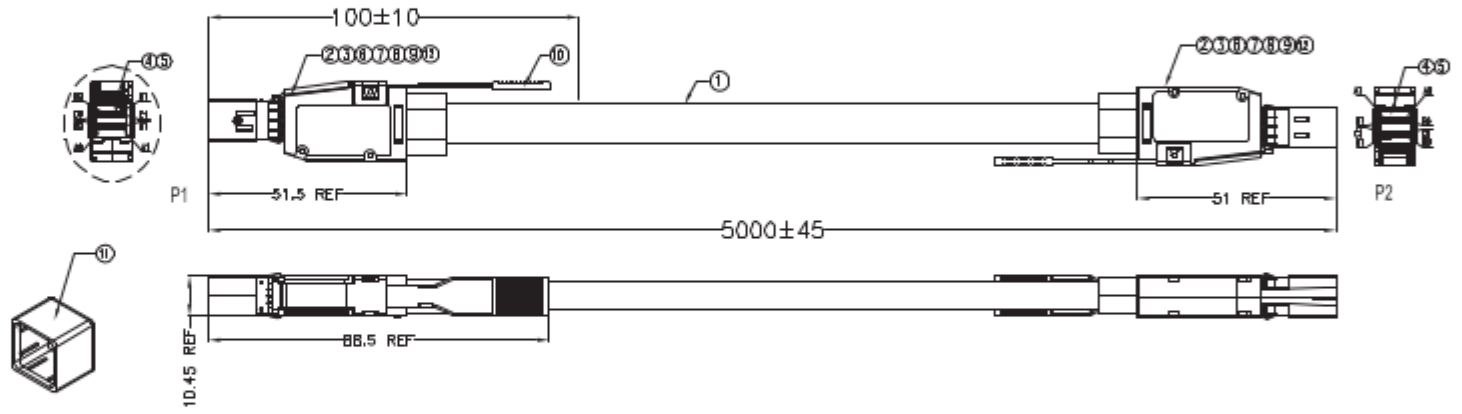
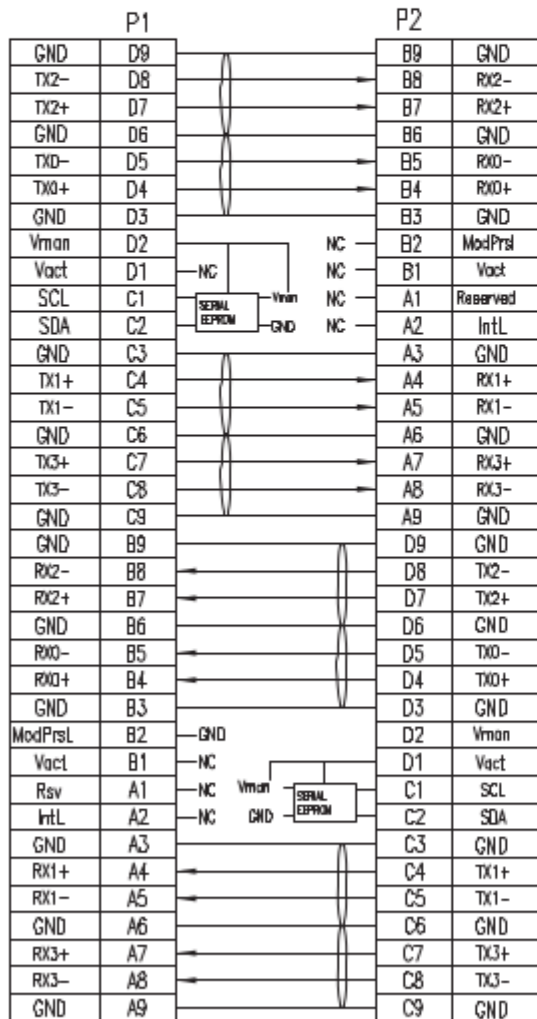


### WIRING TABLE



- MATERIAL RoHS COMPLIANT:
1. 100% OPEN&SHORT& MISS-WIRE& INTERMITTENCE TEST.
  2. THIS PRODUCT CONFORMS TO THE MECHANICAL DIMENSIONING REQUIREMENTS OF SFF-8644
  3. ELECTRICAL TEST PLS REFER TO STANDARD ES-005
  4. THIS PRODUCT MEETS SAS3.0

NO.	DESCRIPTION	Q.TY
12	EMI SHRAPNEL FOR SFF-8644, S301	2
11	DUST COVER FOR SFF-8644, PE, NATUAL	2
10	PULL-TAB FOR SFF-8644, PA66, BLUE	2
9	LATCH FOR SFF-8644, STAINLESS STEEL	2
8	REVIT FOR SFF-8644, ALUMINUM ALLOY	6
7	CABLE SR FOR SFF-8644, PVC, BLACK	2
6	INNER MOLDING FOR SFF-8644, PE, BLACK	2
5	PCB FOR FOR SFF-8644, FR-4, AU30u", A&B SIDE	2
4	PCB FOR FOR SFF-8644, FR-4, AU30u", C&D SIDE	2
3	RIGHT SHEEL FOR SFF-8644, ZINE ALLOY, NICKLE	2
2	LEFT SHEEL FOR SFF-8644, ZINE ALLOY, NICKLE	2
1	HIGH-SPEED CABLE, 26AWG, 8P, PVC, BLACK	A/R



X2	CHANGE THE CABLE ASSEMBLY PATTERN			
X1	RELEASE FOR PRODUCTION	Windy Lee	08/11/17	
REV.	EGR No.	DESCRIPTION	BY	DATE
		Ext. mSAS HD TO Ext. mSAS HD 12Gbps 26AWG Rohs Cable Assembly 5m		
TOLERANCE UNLESS OTHERWISE SPECIFIED		ROHS COMPLIANT:		HART NO.
.XXX ± .005	ENG'R	DATE	YES	C5555-5MC
.XX ± .02	Windy Lee	08/11/17		
.X ± .3	APPR'D	DATE		
FRACT. ± 1/32"	Tom Chen	08/11/17		
ANGULAR ± 1/2°				
UNIT: MM	SCALE	SIZE	SHEET	MODEL FILE
	-	A	1 OF 1	N/A
				DRAWING NO. 8644S24X-L30R3M