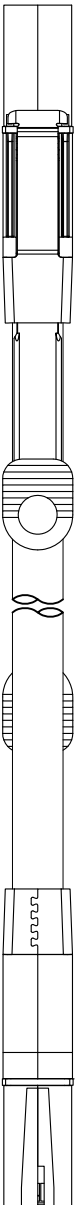


REV.	1	2	3
REMARK		DATE	SIGN.

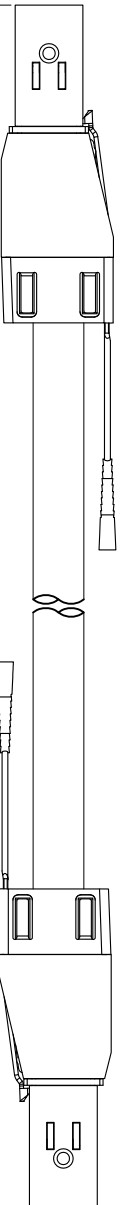
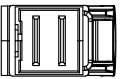
ROHS



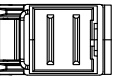
P1

P2

MADISON 28AWG CABLE



2000 +/- 30



MATERIAL ROHS COMPLIANT:

1. CABLE:  
 CONDUCTOR: 28AWG SOLID SILVER PLATED COPPER.  
 INSULATION: FOAM POLYOLEFIN.  
 PAIR: 2 SINGLES LAID FLAT AND PARALLEL.  
 CORE: 8 PAIRS  
 PAIR DRAIN WIRE: 30AWG SOLID SILVER PLATED COPPER.  
 PAIR SHIELD: ALUMINUM/POLYESTER TAPE. ALUMINUM SIDE FACING IN, 25% OVERLAP.  
 INNER SHIELD: ALUMINUM/POLYESTER TAPE. ALUMINUM SIDE PACING OUT, 25% OVERLAP.  
 OUTER SHIELD: 38AWG TIN PLATED COPPER BRAID, 85% COVERAGE.  
 DIAMETER: 7.874mm  
 PRINT LEGEND: "MADISON CABLE CORP. TYPE CL2 75°C 28AWG (UL) TurboTwin™ ROHS COMPLIANT"  
 DIFFERENTIAL IMPEDANCE: 100±5 OHMS @TDR  
 UL LISTING: TYPE CL2 AS SPECIFIED IN ARTICLE 725 OF THE NATIONAL ELECTRICAL CODE.

2. CONNECTOR:

- P1, P2: Mini SAS HD 4x CABLE PLUG (SFF-8644)
- P.C.B: FR408, 6 LAYERS
- LATCH: STAINLESS STEEL
- BACKSHELL - ZINC DIE CASTING HOOD/ NICKEL PLATING
- PULL TAB: NYLON UL94V-0, COLOR: BLUE.
- EMI CONDUCTIVE GASKET.
- FOR SAS 6.0 Gbps.
- TWO-WIRED SERIAL MEMORY: ATMEL AT24C02B EEPROM (256 BYTES).

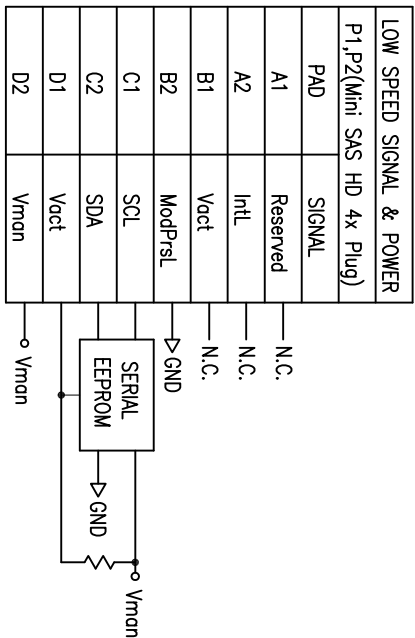
dataStorageCables.com

1	2	3	4	5	6	7	8	9	
DESC.	Mini SAS HD 4x/Mini SAS HD 4x CABLE ASS'Y	APPROVED	CHECKED	DESIGNED	TOLERANCE	SCALE	*	UNIT	mm
P/N	C5555-2M	CUSTOMER P/N	Sino		DATE	02/24/11	DWG NO:	DWG\B\3493	

1	2	3
REV.	REMARK	SIGN.
	DATE	

### WIRING DIAGRAM

HIGH SPEED SIGNAL			
P1(Mini SAS HD 4x Plug)		P2(Mini SAS HD 4x Plug)	
PIN	SIGNAL	PAD	SIGNAL
A4	RX1+	C4	TX1+
A5	RX1-	C5	TX1-
A7	RX3+	C7	TX3+
A8	RX3-	C8	TX3-
B4	RX0+	D4	TX0+
B5	RX0-	D5	TX0-
B7	RX2+	D7	TX2+
B8	RX2-	D8	TX2-
C4	TX1+	A4	RX1+
C5	TX1-	A5	RX1-
C7	TX3+	A7	RX3+
C8	TX3-	A8	RX3-
D4	TX0+	B4	RX0+
D5	TX0-	B5	RX0-
D7	TX2+	B7	RX2+
D8	TX2-	B8	RX2-
GND GROUP		GND GROUP	
GND		GND	



GND GROUP 1:  
P1-A3,A6,A9,B3,B6,B9, P2-C3,C6,C9,D3,D6,D9

GND GROUP 2:  
P1-C3,C6,C9,D3,D6,D9, P2-A3,A6,A9,B3,B6,B9

Connector Shell

DataStorageCables.com

1	2	3	4	5	6	7	8	9
---	---	---	---	---	---	---	---	---

DESC.	Mini SAS HD 4x/Mini SAS HD 4x CABLE ASS'Y	APPROVED	CHECKED	DESIGNED	TOLERANCE	SCALE	UNIT	mm	
	P/N C5555-2M			Sino	*	02/24/'11	DWG NO:	DWG\B\3493	

A

B

C

D

E

F