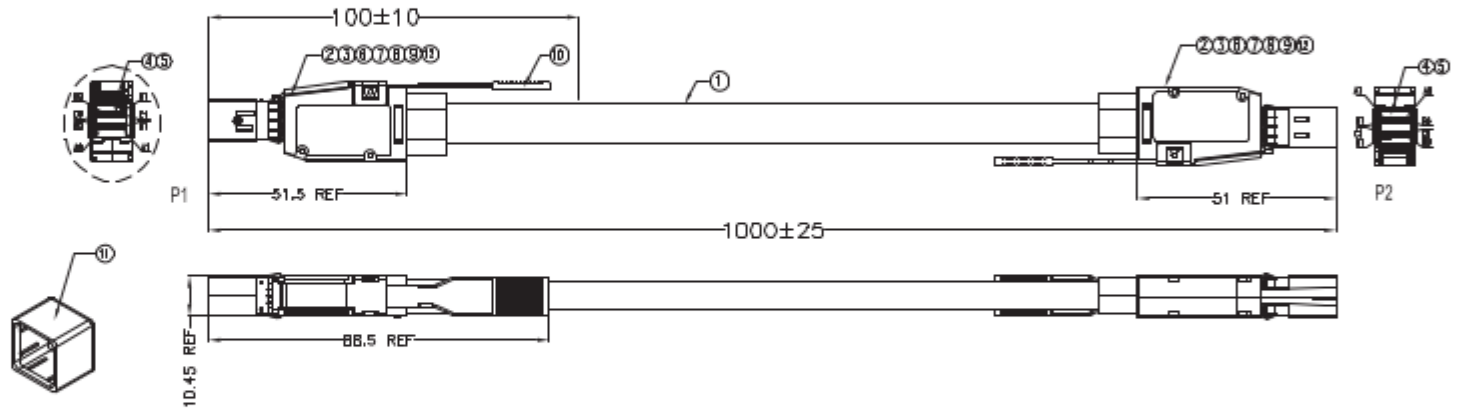
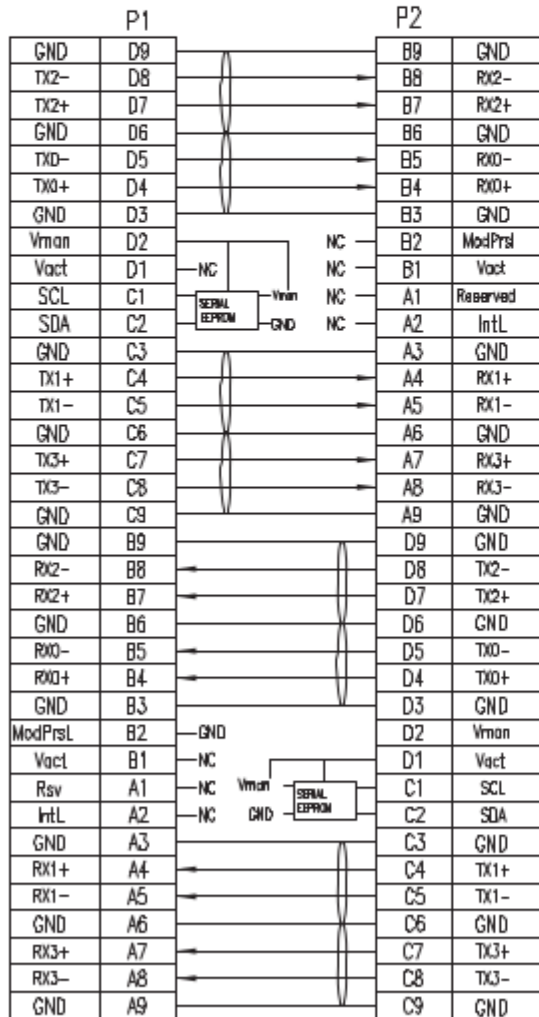


WIRING TABLE



- MATERIAL RoHS COMPLIANT:
- 100% OPEN&SHORT& MISS-WIRE& INTERMITTENCE TEST.
 - THIS PRODUCT CONFORMS TO THE MECHANICAL DIMENSIONING REQUIREMENTS OF SFF-8644
 - ELECTRICAL TEST PLS REFER TO STANDARD ES-005
 - THIS PRODUCT MEETS SAS3.0

NO.	DESCRIPTION	Q.TY
12	EMI SHRAPNEL FOR SFF-8644, S301	2
11	DUST COVER FOR SFF-8644, PE, NATUAL	2
10	PULL-TAB FOR SFF-8644, PA66, BLUE	2
9	LATCH FOR SFF-8644, STAINLESS STEEL	2
8	REVIT FOR SFF-8644, ALUMINUM ALLOY	6
7	CABLE SR FOR SFF-8644, PVC, BLACK	2
6	INNER MOLDING FOR SFF-8644, PE, BLACK	2
5	PCB FOR FOR SFF-8644, FR-4, AU30u", A&B SIDE	2
4	PCB FOR FOR SFF-8644, FR-4, AU30u", C&D SIDE	2
3	RIGHT SHEEL FOR SFF-8644, ZINE ALLOY, NICKLE	2
2	LEFT SHEEL FOR SFF-8644, ZINE ALLOY, NICKLE	2
1	HIGH-SPEED CABLE, 30AWG, 8P, PVC, BLACK, LSZH	A/R



X2	CHANGE THE CABLE ASSEMBLY PATTERN			
X1	RELEASE FOR PRODUCTION	Windy Lee	08/11/17	
REV.	EGR No.	DESCRIPTION	BY	DATE
		Ext. mSAS HD TO Ext. mSAS HD 12Gbps 30AWG LSZH Cable Assembly 1m		
TOLERANCE UNLESS OTHERWISE SPECIFIED		ROHS COMPLIANT:		HART NO.
.XXX ± .005	DATE 08/11/17	YES	C5555-1MC	
.XX ± .02	DATE 08/11/17			
.X ± .3	DATE 08/11/17			
FRACT. ± 1/32"	UNIT: MM			
ANGULAR ± 1/2°	SCALE: A	MODEL FILE N/A	DRAWING NO. 8644S24X-L30L1M	
	SIZE SHEET 1 OF 1			