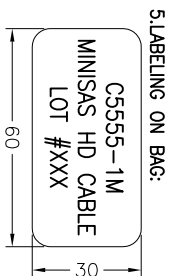
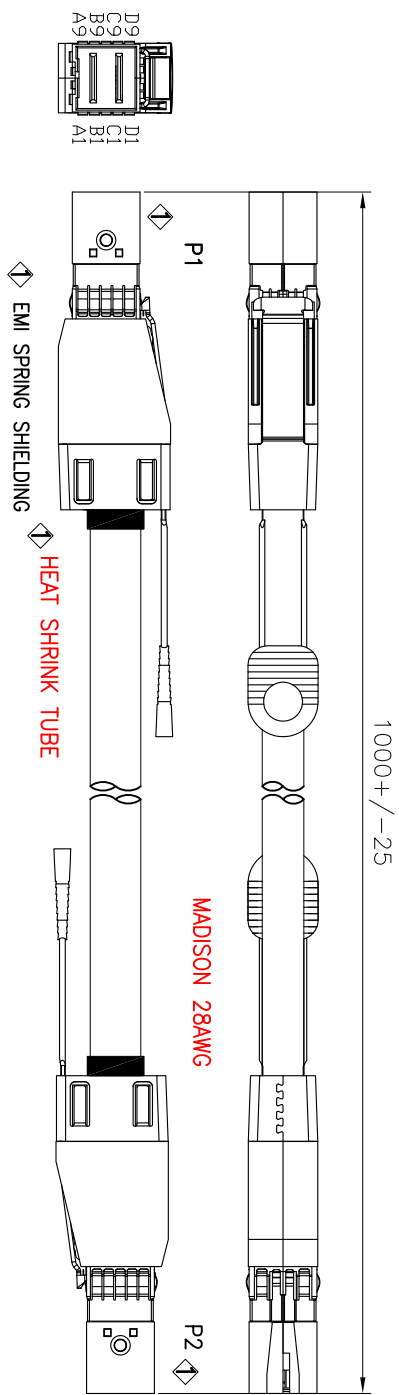


REV.	REMARK	DATE	SIGN.
1	CHANGE CONNECTOR & PCB, ADD HEAT SHRINK TUBE	01/31/13	Sino

ROHS



MATERIAL ROHS COMPLIANT:

1. CABLE:
 CONDUCTOR: 28AWG SOLID SILVER PLATED COPPER.
 INSULATION: FOAM POLYOLEFIN
 PAIR: 2 SINGLES LAID FLAT AND PARALLEL.
 CORE: 8 PAIRS
 PAIR DRAIN WIRE: 30AWG SOLID SILVER PLATED COPPER.
 PAIR SHIELD: ALUMINUM/POLYESTER TAPE, ALUMINUM SIDE FACING IN, 25% OVERLAP.
 INNER SHIELD: ALUMINUM/POLYESTER TAPE, ALUMINUM SIDE PACING OUT, 25% OVERLAP.
 OUTER SHIELD: 38AWG TIN PLATED COPPER BRAID, 85% COVERAGE.
 DIAMETER: 7.874mm
 PRINT LEGEND: "MADISON CABLE CORP. TYPE CL2 75C 28AWG (UL) TurboTwin™ ROHS COMPLIANT"
 DIFFERENTIAL IMPEDANCE: 100±5 OHMS @TDR
 UL LISTING: TYPE CL2 AS SPECIFIED IN ARTICLE 725 OF THE NATIONAL ELECTRICAL CODE.

2. CONNECTOR:
 P1, P2: Mini SAS HD 4x CABLE PLUG (SFF-8644)
 P.C.B: 4 LAYERS, GOLD PLATING ON CONTACT PADS, WITHOUT CARBON
 (P/N: MPCB-040113LF REV.A / SPCB-040114A)
 (2) LATCH: STAINLESS STEEL
 (3) BACKSHELL - ZINC DIE CASTING HOOD/ NICKEL PLATING
 (4) PULL TAB: NYLON UL94V-0, COLOR: BLUE.
 (5) EMI SPRING SHIELDING
 3. FOR SAS 12.0 Gbps.
 4. TWO-WIRED SERIAL MEMORY: ATMEL AT24C02B EEPROM (256 BYTES).

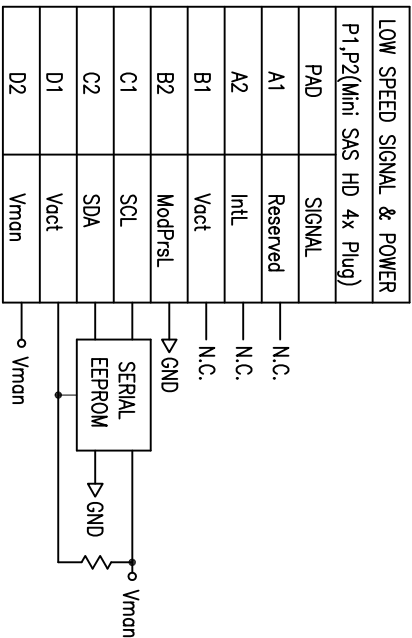
DataStorageCables.com

DESC.	Mini SAS HD 4x/Mini SAS HD 4x CABLE ASS'Y	APPROVED	CHECKED	DESIGNED	TOLERANCE	SCALE	UNIT
P/N	CUSTOMER P/N	C5555-1M		Sino		01/31/13	mm
1	2	3	4	5	6	7	8
		DATE		DWG NO:		RC\4572	

1	2	3
REV.	REMARK	DATE SIGN.

WIRING DIAGRAM

HIGH SPEED SIGNAL		
P1(Mini SAS HD 4x Plug)	PAD	P2(Mini SAS HD 4x Plug)
PIN	SIGNAL	SIGNAL
A4	RX1+	C4 TX1+
A5	RX1-	C5 TX1-
A7	RX3+	C7 TX3+
A8	RX3-	C8 TX3-
B4	RX0+	D4 TX0+
B5	RX0-	D5 TX0-
B7	RX2+	D7 TX2+
B8	RX2-	D8 TX2-
C4	TX1+	A4 RX1+
C5	TX1-	A5 RX1-
C7	TX3+	A7 RX3+
C8	TX3-	A8 RX3-
D4	TX0+	B4 RX0+
D5	TX0-	B5 RX0-
D7	TX2+	B7 RX2+
D8	TX2-	B8 RX2-
GND GROUP		GND
GND GROUP 1: P1-A3,A6,A9,B3,B6,B9, P2-C3,C6,C9,D3,D6,D9		
GND GROUP 2: P1-C3,C6,C9,D3,D6,D9, P2-A3,A6,A9,B3,B6,B9		
Connector Shell		Connector Shell



DataStorageCables.com

1	2	3	4	5	6	7	8	9
DESC.	Mini SAS HD 4x/Mini SAS HD 4x CABLE ASS'Y	APPROVED	CHECKED	DESIGNED	TOLERANCE	SCALE	DATE	UNIT
P/N	C5555-xM	CUSTOMER P/N		Sino	*	*	03/31/'11	mm
						DWG NO: DWG\RC\4572		