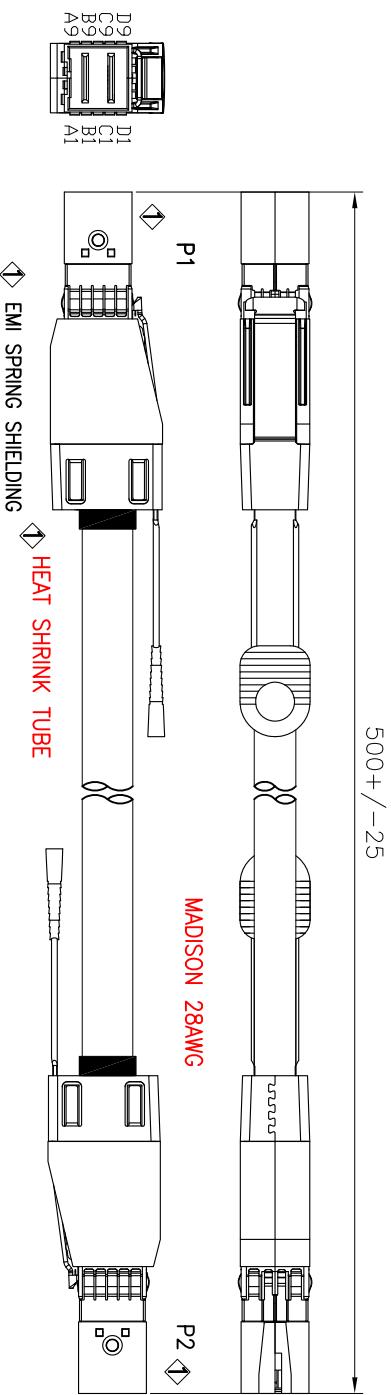


REV.	REMARK	DATE	SIGN.
1	CHANGE CONNECTOR & PCB, ADD HEAT SHRINK TUBE	01/31/13	Sino

ROHS



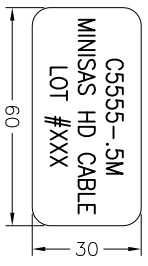
MATERIAL ROHS COMPLIANT:

- 1. CABLE:**
 CONDUCTOR: 28AWG SOLID SILVER PLATED COPPER.
 INSULATION: FOAM POLYOLEFIN
 PAIR: 2 SINGLES LAID FLAT AND PARALLEL.
CORE: 8 PAIRS
 PAIR DRAIN WIRE: 30AWG SOLID SILVER PLATED COPPER.
 PAIR SHIELD: ALUMINUM/POLYESTER TAPE, ALUMINUM SIDE FACING IN, 25% OVERLAP.
 INNER SHIELD: ALUMINUM/POLYESTER TAPE, ALUMINUM SIDE PACING OUT, 25% OVERLAP.
 OUTER SHIELD: 38AWG TIN PLATED COPPER BRAID, 85% COVERAGE.
DIAMETER: 7.874mm
 PRINT LEGEND: "MADISON CABLE CORP. TYPE CL2 75C 28AWG (UL) TurboTwin™ ROHS COMPLIANT"
 DIFFERENTIAL IMPEDANCE: 100±5 OHMS @TDR
 UL LISTING: TYPE CL2 AS SPECIFIED IN ARTICLE 725 OF THE NATIONAL ELECTRICAL CODE.

2. CONNECTOR:

- P1, P2: Mini SAS HD 4x CABLE PLUG (SFF-8644)
 (1) P.C.B: 4 LAYERS, GOLD PLATING ON CONTACT PADS, WITHOUT CARBON
 (P/N: MPCB-040113LF REV.A / SPCB-040114A)
 (2) LATCH: STAINLESS STEEL
 (3) BACKSHELL - ZINC DIE CASTING HOOD/ NICKEL PLATING
 (4) PULL TAB: NYLON UL94V-0, COLOR: BLUE.
 (5) EMI SPRING SHIELDING
 3.FOR SAS 12.0 Gbps.
 4.TWO-WIRED SERIAL MEMORY: AT24C02B EEPROM (256 BYTES).

5. LABELING ON BAG:



DataStorageCables.com

DESC.	Mini SAS HD 4x/Mini SAS HD 4x CABLE ASS'Y	APPROVED	CHECKED	DESIGNED	TOLERANCE	SCALE	UNIT
P/N	CUSTOMER P/N	C5555-.5M		Sino		DATE 01/31/13	DWG NO: DWG\RC\4572

