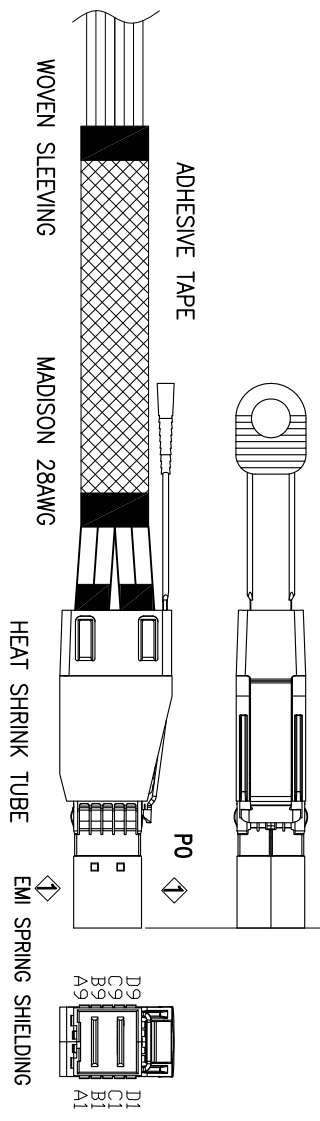
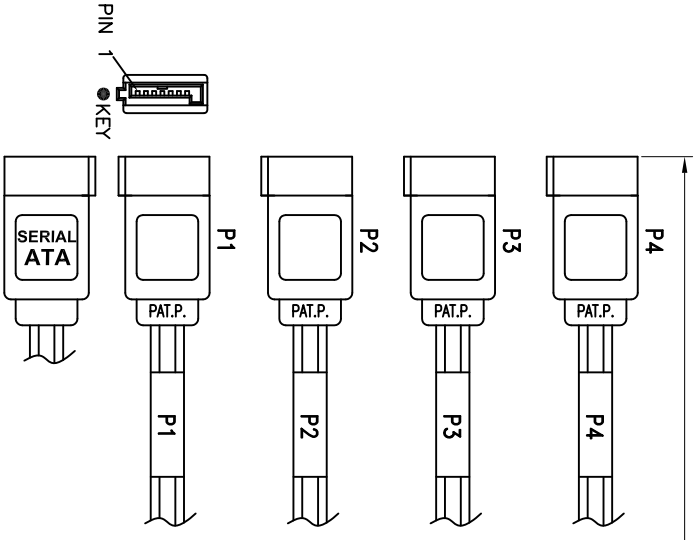


REV.	1	2	3	4	5	6	7	8	9
REMARK	CHANGE CONNECTOR & PCB								
DATE	01/30/13								
SIGN.	Sino								

100030

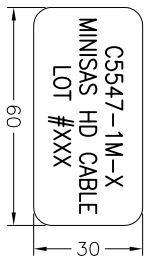
ROHS



MATERIAL ROHS COMPLIANT:

1.CABLE:
 CONDUCTOR: 28AWG, SOLID SILVER PLATED COPPER.
 INSULATION: FOAM POLYOLEFIN.
 PAIR: 2 SINGLES LAID FLAT AND PARALLEL.
 PAIR DRAIN WIRE: 30AWG SOLID SILVER PLATED COPPER.
 INNER SHIELD: ALUMINUM/POLYESTER TAPE, ALUMINUM SIDE FACING IN, 25% OVERLAP.
 DIFFERENTIAL IMPEDANCE: 100±5 OHMS @TDR
 UL LISTING: TYPE G12 AS SPECIFIED IN ARTICLE 725 OF THE NATIONAL ELECTRICAL CODE. TURBO TWIN™, MADISON

2.CONNECTOR:
 P0: Mini SAS HD 4x CABLE PLUG (SFF-8644)
 (1) P.C.B: 4 LAYERS, GOLD PLATING ON CONTACT PADS, WITHOUT CARBON (P/N: MPOB-040113LF REV.A / SPOB-040114A)
 (2) LATCH: STAINLESS STEEL
 (3) BACKSHELL- ZINC DIE CASTING HOOD/ NICKEL PLATING
 (4) PULL TAB: NYLON UL94V-0, COLOR: BLUE.
 (5) EMI SPRING SHIELDING
 P1-P4: SATA 7P INTERNAL CABLE REC.
 3.FOR SAS 6.0 Gbps.
 4.TWO-WIRED SERIAL MEMORY: ATMEL AT24C02B EEPROM (256 BYTES).



DataStorageCables.com

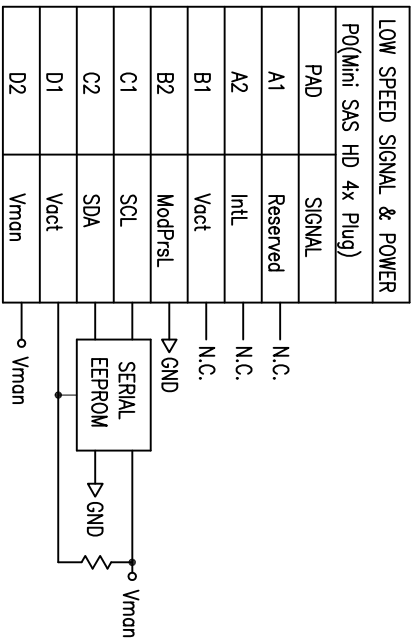
1	2	3	4	5	6	7	8	9
DESC.	4*SATA/Mini SAS HD 4x CABLE ASS'Y	APPROVED	CHECKED	DESIGNED	TOLERANCE	SCALE	DATE	UNIT
P/N	CUSTOMER P/N	C5547-1M-X		Sino		* 1/30/13	01/30/13	mm
							DWG NO: DWG\RC\5852	

1	2	3
REV.	REMARK	DATE SIGN.

WIRING DIAGRAM

HIGH SPEED SIGNAL			P0(Mini SAS HD 4x Plug)		
SATA Cable Receptacle(Host)	PIN	SIGNAL	PIN	SIGNAL	
P4	6	RX+	D4	TX0+	
	5	RX-	D5	TX0-	
	3	TX-	B5	RX0-	
	2	TX+	B4	RX0+	
	1,4,7	GND	GND GROUP		
P3	6	RX+	C4	TX1+	
	5	RX-	C5	TX1-	
	3	TX-	A5	RX1-	
	2	TX+	A4	RX1+	
	1,4,7	GND	GND GROUP		
P2	6	RX+	D7	TX2+	
	5	RX-	D8	TX2-	
	3	TX-	B8	RX2-	
	2	TX+	B7	RX2+	
	1,4,7	GND	GND GROUP		
P1	6	RX+	C7	TX3+	
	5	RX-	C8	TX3-	
	3	TX-	A8	RX3-	
	2	TX+	A7	RX3+	
	1,4,7	GND	GND GROUP		

GND GROUP:
A3,A6,A9,B3,B6,B9,
C3,C6,C9,D3,D6,D9.



DataStorageCables.com			DESC.	4*SATA/Mini SAS HD 4x CABLE ASS'Y	APPROVED	CHECKED	DESIGNED	TOLERANCE	SCALE	UNIT
1	2	3	P/N	C5547-xM-X	CUSTOMER P/N		Sino	*	*	mm

1

2

3

4

5

6

7

8

9