

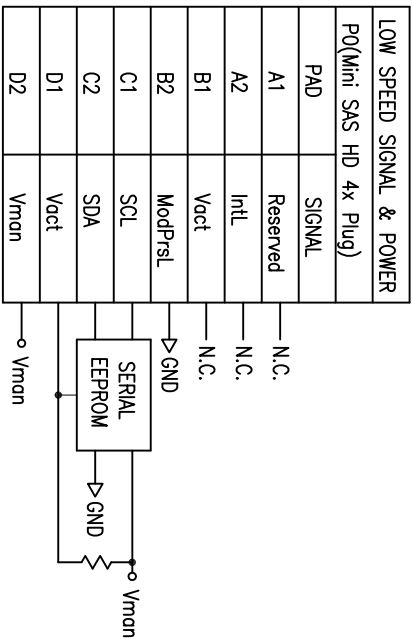


1	2	3
REV.	REMARK	DATE SIGN.

### WIRING DIAGRAM

HIGH SPEED SIGNAL			P0(Mini SAS HD 4x Plug)		
SATA Cable Receptacle(Host)	PIN	SIGNAL	PIN	SIGNAL	
P4	6	RX+	D4	TX0+	
	5	RX-	D5	TX0-	
	3	TX-	B5	RX0-	
	2	TX+	B4	RX0+	
	1,4,7	GND	GND GROUP		
P3	6	RX+	C4	TX1+	
	5	RX-	C5	TX1-	
	3	TX-	A5	RX1-	
	2	TX+	A4	RX1+	
	1,4,7	GND	GND GROUP		
P2	6	RX+	D7	TX2+	
	5	RX-	D8	TX2-	
	3	TX-	B8	RX2-	
	2	TX+	B7	RX2+	
	1,4,7	GND	GND GROUP		
P1	6	RX+	C7	TX3+	
	5	RX-	C8	TX3-	
	3	TX-	A8	RX3-	
	2	TX+	A7	RX3+	
	1,4,7	GND	GND GROUP		

GND GROUP:  
A3,A6,A9,B3,B6,B9,  
C3,C6,C9,D3,D6,D9.



DataStorageCables.com			DESC.	4*SATA/Mini SAS HD 4x CABLE ASS'Y	APPROVED	CHECKED	DESIGNED	TOLERANCE	SCALE	UNIT
1	2	3	P/N	C5547-xM-X	CUSTOMER P/N		Sino	*	*	mm
DATE 11/21/'12 DWG NO: DWG\PC\5851										