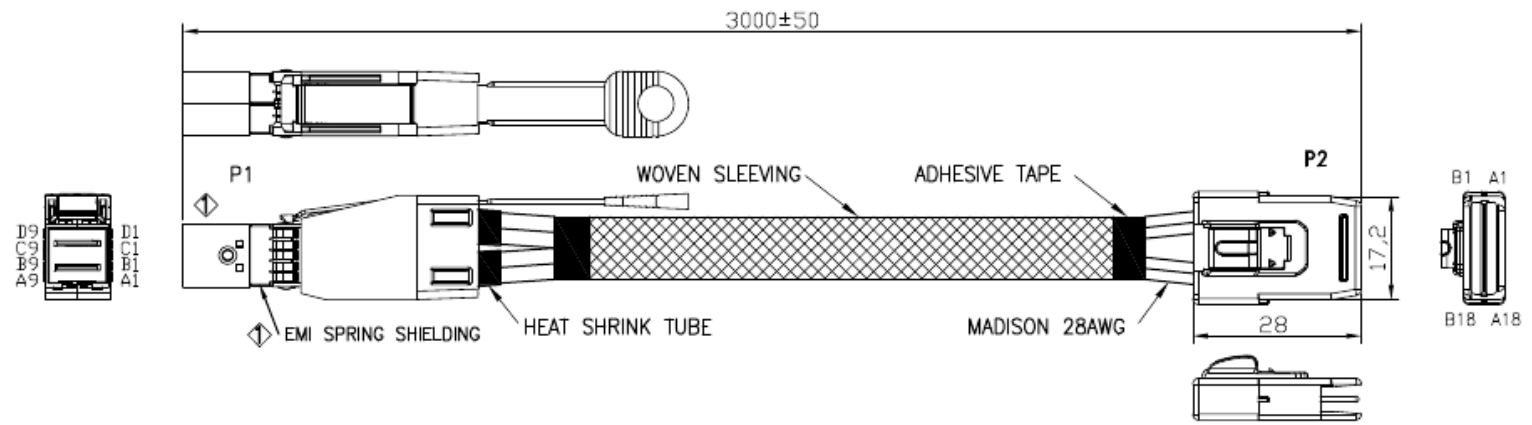


1	2	3	4	5	6	7	8	9
REV.	REMARK	DATE	SIGN.					
◇	CHANGE CONNECTOR & PCB	01/30/'13	Sino					

RoHS



MATERIAL RoHS COMPLIANT:

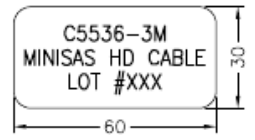
1. CABLE:

CONDUCTOR: 28AWG SOLID SILVER PLATED COPPER.
 INSULATION: POLYOLEFIN.
 PAIR: 2 SINGLES LAID FLAT AND PARALLEL.
 PAIR DRAIN WIRE: 30AWG SOLID SILVER PLATED COPPER.
 PAIR SHIELD: ALUMINUM/POLYESTER TAPE, ALUMINUM SIDE FACING IN, 25% OVERLAP.
 INNER SHIELD: ALUMINUM/POLYESTER TAPE, ALUMINUM SIDE PACING OUT, 25% OVERLAP.
 DIFFERENTIAL IMPEDANCE: 100±5 OHMS @TDR
 UL LISTING: TYPE CL2 AS SPECIFIED IN ARTICLE 725 OF THE NATIONAL ELECTRICAL CODE. TURBO TWIN™, MADISON

2. CONNECTOR:

- P1: Mini SAS HD 4x CABLE PLUG (SFF-8644)
 ◇ (1) P.C.B: 4 LAYERS, GOLD PLATING ON CONTACT PADS, WITHOUT CARBON (P/N: MPCB-040113LF REV.A / SPCB-040114A)
 (2) LATCH: STAINLESS STEEL.
 (3) BACKSHELL- ZINC DIE CASTING HOOD/ NICKEL PLATING
 (4) PULL TAB: NYLON UL94V-0, COLOR: BLUE.
 ◇ (5) EMI SPRING SHIELDING
- P2: Mini SAS 4i 36CKT CONNECTOR.(SFF-8087).
 (1) HOOD: NYLON, UL94-V0.
 (2) P.C.B: 4 LAYERS, GOLD PLATING ON CONTACT PADS.
 (3) LATCH: STAINLESS.
 (4) INTERNAL, WITHOUT SIDEBAND.

5. LABELING ON BAG:



3. FOR SAS 6.0 Gbps.
 4. TWO-WIRED SERIAL MEMORY: ATMEL AT24C02B EEPROM (256 BYTES).

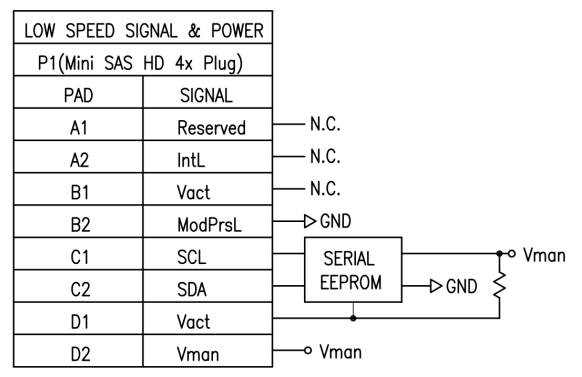
DataStorageCables.com	DESC.	Mini SAS HD 4x/Mini SAS 4i CABLE ASS'Y	APPROVED	CHECKED	DESIGNED	TOLERANCE	SCALE	*	UNIT	mm	⌀
	P/N		CUSTOMER P/N	C5536-3M	Sino		DATE	01/30/'13	DWG NO:	DWG\RC\5979	

1 2 3 4 5 6 7 8 9

REV.	REMARK	DATE	SIGN.

WIRING DIAGRAM

HIGH SPEED SIGNAL			
P1(Mini SAS HD 4x Plug)		P2(Mini SAS 4i Plug)	
PAD	SIGNAL	PIN	SIGNAL
D4	TX0+	A2	RX0+
D5	TX0-	A3	RX0-
C4	TX1+	A5	RX1+
C5	TX1-	A6	RX1-
D7	TX2+	A13	RX2+
D8	TX2-	A14	RX2-
C7	TX3+	A16	RX3+
C8	TX3-	A17	RX3-
B4	RX0+	B2	TX0+
B5	RX0-	B3	TX0-
A4	RX1+	B5	TX1+
A5	RX1-	B6	TX1-
B7	RX2+	B13	TX2+
B8	RX2-	B14	TX2-
A7	RX3+	B16	TX3+
A8	RX3-	B17	TX3-
GND GROUP	GND	GND GROUP	GND
GND GROUP: A3,A6,A9,B3,B6,B9, C3,C6,C9,D3,D6,D9.		GND GROUP: A1,A4,A7,A12,A15,A18 B1,B4,B7,B12,B15,B18	



DATA STORAGE CABLES	DESC.	Mini SAS HD 4x/Mini SAS 4i CABLE ASS'Y	APPROVED	CHECKED	DESIGNED	TOLERANCE	SCALE	*	UNIT	mm	⌀
	P/N	C5536-3M	CUSTOMER P/N			*	DATE	01/21/'13	DWG NO:	DWG\RC\5979	

