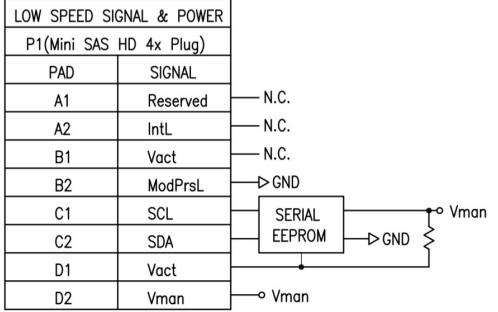


1	2	3	4	5	6	7	8	9																							
REV.	REMARK	DATE	SIGN.						RoHS																						
⬇	CHANGE CONNECTOR & PCB	01/30/'13																													
F									F																						
E									E																						
D									D																						
C									C																						
B	<p>MATERIAL RoHS COMPLIANT:</p> <p>1. CABLE:</p> <p>CONDUCTOR: 28AWG SOLID SILVER PLATED COPPER. INSULATION: POLYOLEFIN. PAIR: 2 SINGLES LAID FLAT AND PARALLEL. PAIR DRAIN WIRE: 30AWG SOLID SILVER PLATED COPPER. PAIR SHIELD: ALUMINUM/POLYESTER TAPE, ALUMINUM SIDE FACING IN, 25% OVERLAP. INNER SHIELD: ALUMINUM/POLYESTER TAPE, ALUMINUM SIDE PACING OUT, 25% OVERLAP. DIFFERENTIAL IMPEDANCE: 100±5 OHMS @TDR UL LISTING: TYPE CL2 AS SPECIFIED IN ARTICLE 725 OF THE NATIONAL ELECTRICAL CODE. TURBO TWIN™, MADISON</p> <p>2. CONNECTOR:</p> <p>P1: Mini SAS HD 4x CABLE PLUG (SFF-8644) ⬇ (1) P.C.B: 4 LAYERS, GOLD PLATING ON CONTACT PADS, WITHOUT CARBON (P/N: MPCB-040113LF REV.A / SPCB-040114A) (2) LATCH: STAINLESS STEEL. (3) BACKSHELL- ZINC DIE CASTING HOOD/ NICKEL PLATING (4) PULL TAB: NYLON UL94V-0, COLOR: BLUE. ⬇ (5) EMI SPRING SHIELDING</p> <p>P2: Mini SAS 4i 36CKT CONNECTOR.(SFF-8087). (1) HOOD: NYLON, UL94-V0. (2) P.C.B: 4 LAYERS, GOLD PLATING ON CONTACT PADS. (3) LATCH: STAINLESS. (4) INTERNAL, WITHOUT SIDEBAND.</p> <p>3. FOR SAS 6.0 Gbps. 4. TWO-WIRED SERIAL MEMORY: ATMEL AT24C02B EEPROM (256 BYTES).</p> <p>5. LABELING ON BAG:</p> <div style="border: 1px solid black; padding: 5px; width: fit-content; margin-left: auto; margin-right: auto;"> C5536-2M MINISAS HD CABLE LOT #XXX </div>								B																						
A	<table border="1" style="width: 100%; border-collapse: collapse;"> <tr> <td rowspan="2" style="text-align: center; vertical-align: middle;">DATA STORAGE CABLES</td> <td>DESC.</td> <td>Mini SAS HD 4x/Mini SAS 4i CABLE ASS'Y</td> <td>APPROVED</td> <td>CHECKED</td> <td>DESIGNED</td> <td>TOLERANCE</td> <td>SCALE</td> <td>*</td> <td>UNIT</td> <td>mm</td> <td rowspan="2" style="text-align: center; vertical-align: middle;"> </td> </tr> <tr> <td>P/N</td> <td>C5536-2M</td> <td>CUSTOMER P/N</td> <td></td> <td></td> <td></td> <td>DATE</td> <td>01/30/'13</td> <td>DWG NO:</td> <td>DWG\RC\5978</td> </tr> </table>								DATA STORAGE CABLES	DESC.	Mini SAS HD 4x/Mini SAS 4i CABLE ASS'Y	APPROVED	CHECKED	DESIGNED	TOLERANCE	SCALE	*	UNIT	mm		P/N	C5536-2M	CUSTOMER P/N				DATE	01/30/'13	DWG NO:	DWG\RC\5978	A
DATA STORAGE CABLES	DESC.	Mini SAS HD 4x/Mini SAS 4i CABLE ASS'Y	APPROVED	CHECKED	DESIGNED	TOLERANCE	SCALE	*		UNIT	mm																				
	P/N	C5536-2M	CUSTOMER P/N				DATE	01/30/'13	DWG NO:	DWG\RC\5978																					
1	2	3	4	5	6	7	8	9																							

1	2	3	4	5	6	7	8	9
REV.	REMARK	DATE	SIGN.					

WIRING DIAGRAM

HIGH SPEED SIGNAL			
P1(Mini SAS HD 4x Plug)		P2(Mini SAS 4i Plug)	
PAD	SIGNAL	PIN	SIGNAL
D4	TX0+	A2	RX0+
D5	TX0-	A3	RX0-
C4	TX1+	A5	RX1+
C5	TX1-	A6	RX1-
D7	TX2+	A13	RX2+
D8	TX2-	A14	RX2-
C7	TX3+	A16	RX3+
C8	TX3-	A17	RX3-
B4	RX0+	B2	TX0+
B5	RX0-	B3	TX0-
A4	RX1+	B5	TX1+
A5	RX1-	B6	TX1-
B7	RX2+	B13	TX2+
B8	RX2-	B14	TX2-
A7	RX3+	B16	TX3+
A8	RX3-	B17	TX3-
GND GROUP	GND	GND GROUP	GND
GND GROUP: A3,A6,A9,B3,B6,B9, C3,C6,C9,D3,D6,D9.		GND GROUP: A1,A4,A7,A12,A15,A18 B1,B4,B7,B12,B15,B18	



DATA STORAGE CABLES	DESC.	Mini SAS HD 4x/Mini SAS 4i CABLE ASS'Y	APPROVED	CHECKED	DESIGNED	TOLERANCE	SCALE	*	UNIT	mm	
	P/N	C5536-2M	CUSTOMER P/N			*	DATE	01/21/'13	DWG NO:	DWG\RC\5978	

1	2	3	4	5	6	7	8	9
---	---	---	---	---	---	---	---	---