

| | | | | | | | | |
|------|------------------------|-----------|-------|---|---|---|---|---|
| 1 | 2 | 3 | 4 | 5 | 6 | 7 | 8 | 9 |
| REV. | REMARK | DATE | SIGN. | | | | | |
| ◇ | CHANGE CONNECTOR & PCB | 01/30/'13 | Sino | | | | | |

RoHS

MATERIAL RoHS COMPLIANT:

1.CABLE:

CONDUCTOR: 28AWG SOLID SILVER PLATED COPPER.
 INSULATION: FOAM POLYOLEFIN.
 PAIR: 2 SINGLES LAID FLAT AND PARALLEL.
 PAIR DRAIN WIRE: 30AWG SOLID SILVER PLATED COPPER.
 PAIR SHIELD: ALUMINUM/POLYESTER TAPE. ALUMINUM SIDE FACING IN, 25% OVERLAP.
 INNER SHIELD: ALUMINUM/POLYESTER TAPE, ALUMINUM SIDE PACING OUT, 25% OVERLAP.
 DIFFERENTIAL IMPEDANCE: 100±5 OHMS @TDR
 UL LISTING: TYPE CL2 AS SPECIFIED IN ARTICLE 725 OF THE NATIONAL ELECTRICAL CODE. TURBO TWIN™, MADISON

2.CONNECTOR:

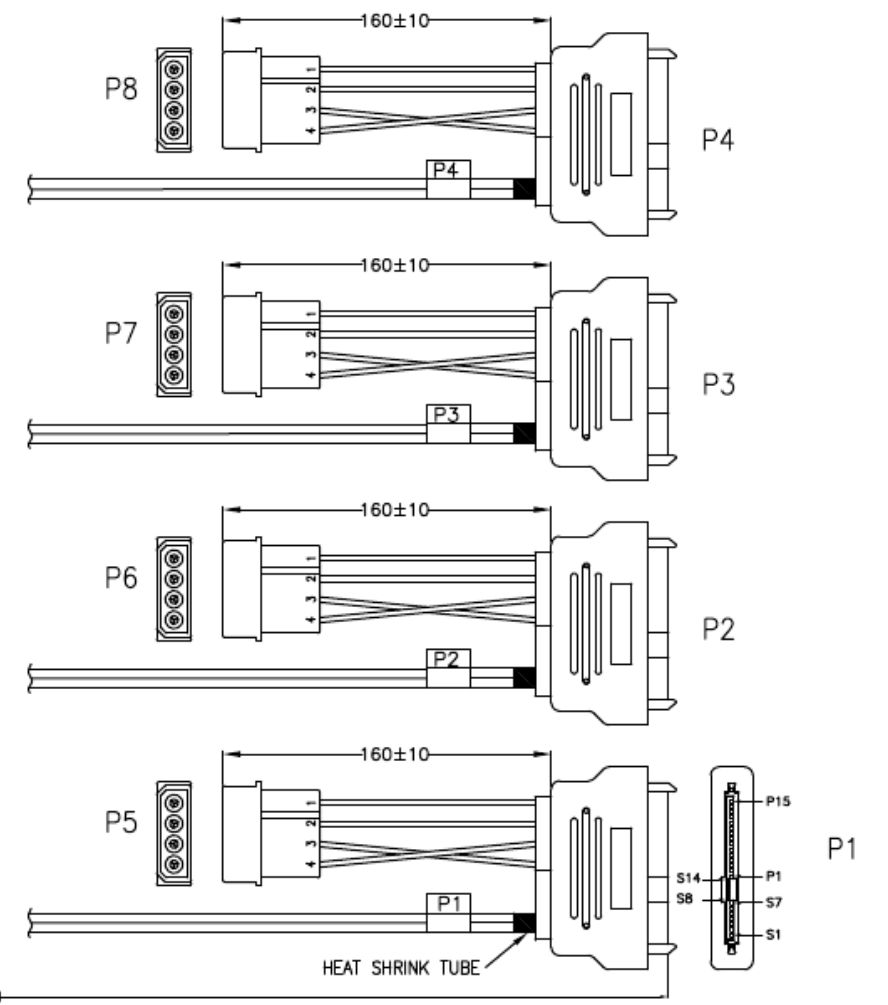
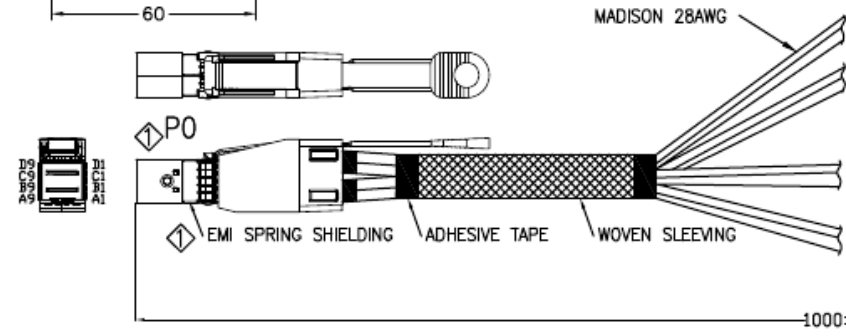
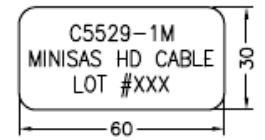
- P0: Mini SAS HD 4x CABLE PLUG (SFF-8644)
 ◇ (1) P.C.B: 4 LAYERS, GOLD PLATING ON CONTACT PADS, WITHOUT CARBON (P/N: MPCB-040113LF REV.A / SPCB-040114A)
 (2) LATCH: STAINLESS STEEL
 (3) BACKSHELL- ZINC DIE CASTING HOOD/ NICKEL PLATING
 (4) PULL TAB: NYLON UL94V-0, COLOR: BLUE.
 ◇ (5) EMI SPRING SHIELDING

P1~P4: SAS DRIVE REC.(SFF-8482)

P5~P8: 4 POSITION DC POWER PLUG

POWER CABLE: UL 1007 18AWG 80°C 300V

3.LABELING ON BAG:



| | | | | | | | | | | | |
|-----------------------|-------|---|----------|---------|----------|-----------|-------|-----------|---------|-------------|---|
| DataStorageCables.com | DESC. | Mini SAS HD 4x TO 4*SAS drive cable rec. with power cable ass'y | APPROVED | CHECKED | DESIGNED | TOLERANCE | SCALE | * | UNIT | mm | ④ |
| | P/N | | | | Sino | | DATE | 01/30/'13 | DWG NO: | DWG\RC\5854 | |

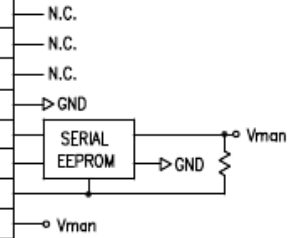
| | | | | | | | | |
|---|---|---|---|---|---|---|---|---|
| 1 | 2 | 3 | 4 | 5 | 6 | 7 | 8 | 9 |
|---|---|---|---|---|---|---|---|---|

| | | | | | | | | |
|------|--------|------|-------|---|---|---|---|---|
| 1 | 2 | 3 | 4 | 5 | 6 | 7 | 8 | 9 |
| REV. | REMARK | DATE | SIGN. | | | | | |

| WIRING DIAGRAM | | | | | | | |
|---------------------------|--------|------------------------------|----------|--------|---------------|-----|--------|
| Mini SAS HD 4x (HOST)(P0) | | SAS DRIVE CABLE REC.(TARGET) | | | 4P POWER PLUG | | |
| PIN | SIGNAL | rec. | PIN | SIGNAL | plug | PIN | SIGNAL |
| B4 | RX0+ | P1 | S6 | TP+ | P5 | 1 | +12V |
| B5 | RX0- | | S5 | TP- | | 2 | GND |
| D5 | TX0- | | S3 | RP- | | 4 | +5V |
| D4 | TX0+ | | S2 | RP+ | | 3 | GND |
| GND GROUP | | | S1,S4,S7 | GND | | | |
| | | P13,P14,P15 | +12V | | | | |
| | | P10,P11,P12 | GND | | | | |
| | | P7,P8,P9 | +5V | | | | |
| | | P4,P5,P6 | GND | | | | |
| A4 | RX1+ | P2 | S6 | TP+ | P6 | 1 | +12V |
| A5 | RX1- | | S5 | TP- | | 2 | GND |
| C5 | TX1- | | S3 | RP- | | 4 | +5V |
| C4 | TX1+ | | S2 | RP+ | | 3 | GND |
| GND GROUP | | | S1,S4,S7 | GND | | | |
| | | P13,P14,P15 | +12V | | | | |
| | | P10,P11,P12 | GND | | | | |
| | | P7,P8,P9 | +5V | | | | |
| | | P4,P5,P6 | GND | | | | |
| B7 | RX2+ | P3 | S6 | TP+ | P7 | 1 | +12V |
| B8 | RX2- | | S5 | TP- | | 2 | GND |
| D8 | TX2- | | S3 | RP- | | 4 | +5V |
| D7 | TX2+ | | S2 | RP+ | | 3 | GND |
| GND GROUP | | | S1,S4,S7 | GND | | | |
| | | P13,P14,P15 | +12V | | | | |
| | | P10,P11,P12 | GND | | | | |
| | | P7,P8,P9 | +5V | | | | |
| | | P4,P5,P6 | GND | | | | |
| A7 | RX3+ | P4 | S6 | TP+ | P8 | 1 | +12V |
| A8 | RX3- | | S5 | TP- | | 2 | GND |
| C8 | TX3- | | S3 | RP- | | 4 | +5V |
| C7 | TX3+ | | S2 | RP+ | | 3 | GND |
| GND GROUP | | | S1,S4,S7 | GND | | | |
| | | P13,P14,P15 | +12V | | | | |
| | | P10,P11,P12 | GND | | | | |
| | | P7,P8,P9 | +5V | | | | |
| | | P4,P5,P6 | GND | | | | |

GND GROUP:
A3,A6,A9,B3,B6,B9,
C3,C6,C9,D3,D6,D9.

| LOW SPEED SIGNAL & POWER | |
|--------------------------|----------|
| PAD | SIGNAL |
| A1 | Reserved |
| A2 | IntL |
| B1 | Vact |
| B2 | ModPrsL |
| C1 | SCL |
| C2 | SDA |
| D1 | Vact |
| D2 | Vman |



| | | | | | | | | | | | |
|-----------------------|-------|---|----------|---------|----------|-----------|-------|-----------|---------|-------------|--|
| DataStorageCables.com | DESC. | Mini SAS HD 4x TO 4*SAS drive cable rec. with power cable ass'y | APPROVED | CHECKED | DESIGNED | TOLERANCE | SCALE | * | UNIT | mm | |
| | P/N | CUSTOMER P/N | | | Sino | | DATE | 11/22/'12 | DWG NO: | DWG\RC\5853 | |

1 2 3 4 5 6 7 8 9